



Options. Options. Options.

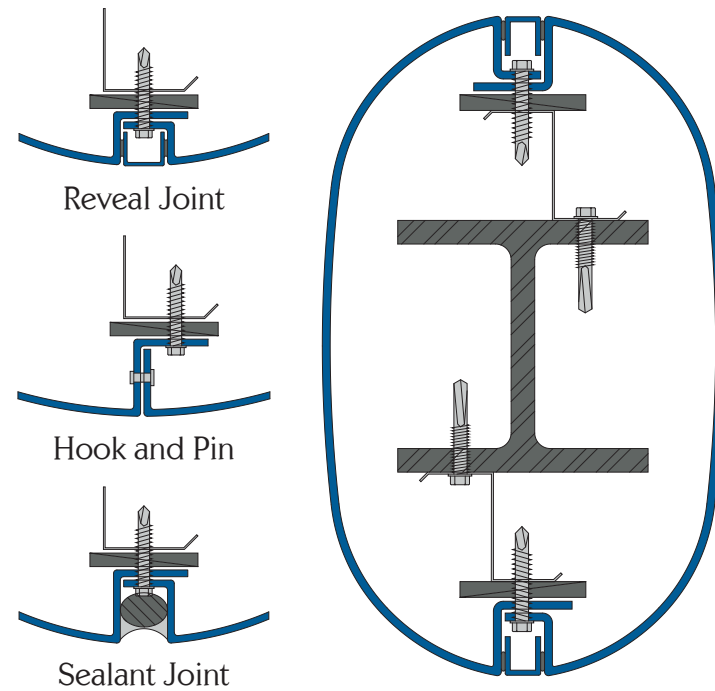
The NorthClad® CL Series column cover system provides three standard joint designs, multiple material options, a wide variety of color and finish options, and virtually any custom shape desired resulting in an extremely versatile product suited for many different applications. Best of all, our fabrication technology allows for up to 16'-0" tall column covers! Please feel free to contact us to discuss your column cover needs.

Get Maximum Versatility

with NorthClad®
Column Cover Systems



Three Joint Configuration Options.



NorthClad® Rainscreen Solutions
11831 Beverly Park Road, Building C
Everett, WA 98204

Phone: (425) 740-3702
Fax: (425) 485-3503

www.northclad.com



Visit www.northclad.com today to review the entire NorthClad® line of products.



NorthClad® CL
Column Cover Series

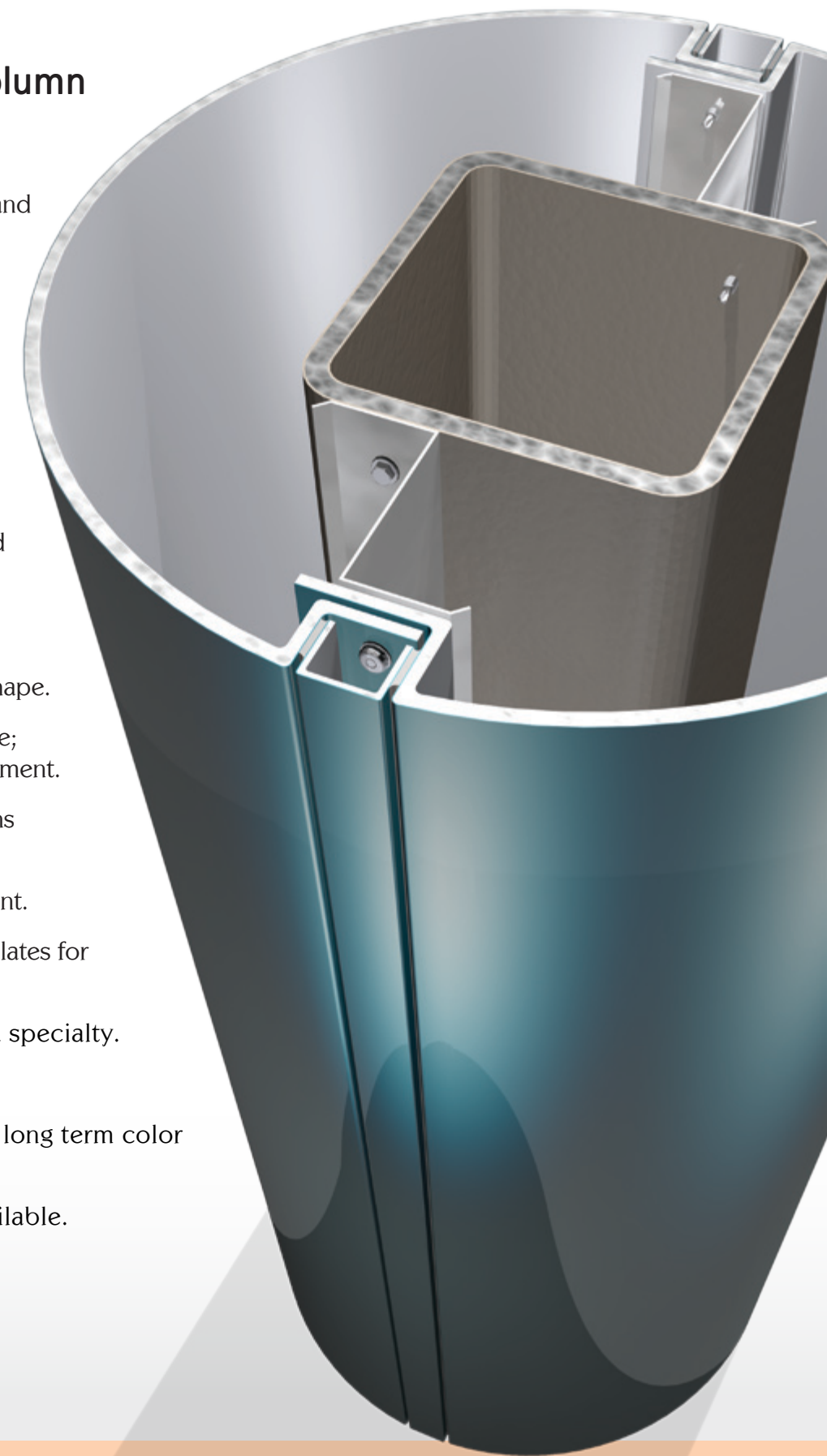


Offering a huge range of shape, material, color, and finish options to choose from, all of our engineered systems are fabricated in the United States using state of the art fabrication technology.



NorthClad® CL Series Column Cover Systems

- Fabricated to precise dimensions and tolerances.
- CNC fabrication produces smooth, continuous curves with no segmented appearance.
- Material options include: aluminum, stainless steel, aluminum composite, and other custom metals.
- Wide range of standard prefinished colors available as well as an endless array of custom color options.
- Available in virtually any custom shape.
- Diameter from 0'-8" to 8'-0" or more; Vertical height up to 16'-0" per segment.
- Multiple vertical joint configurations available.
- Contains up to 35% recycled content.
- Complete systems including butt plates for joints between vertical segments.
- Cones and complex shapes are a specialty.
- Installation is quick and easy.
- PVDF (Kynar®/Hylar®) paint for long term color retention.
- 20 year paint finish warranty available.



CL Series
Column Cover Systems

Find what you're looking for at
www.northclad.com

NorthClad®
rainscreen solutions