

Key Elev Key Elevation
 NorthClad Standard



11831 BEVERLY PARK RD. BUILDING C, EVERETT, WA 98204
 * PHONE: 425.740.3702 * FAX: 425.740.3701 *
 www.northclad.com

This document is property of NorthClad and should not be used, duplicated or modified without the express written consent. Copyright © 2010 NorthClad All Rights Reserved

NO.	DESCRIPTION	DATE	INIT.
1	Design	10/31/2014	M E
2			
3			
4			
5			
6			
7			
8			
9			
10			

Project

NorthClad AL Panel Standard Details

Insulation Inside the Stud Cavity

Sheet Title	DET
Scale	
Job Number	
Sheet	Key Elev
APPROVED	

Index

- A. Section - Horizontal Joint
- B. Plan - Vertical Joint
- C. Section - Base of Wall
- D. Section - Coping
- E. Isometric - Coping Splice
- G1. Plan - Outside Corner without Trim
- G2. Plan - Outside Corner with Trim
- H1. Plan - Inside Corner without Trim
- H2. Plan - Inside Corner with Trim
- J1. Section - Window Head
- J2. Section - Louver Head
- J3. Section - Door Head
- K1. Plan - Window at Left Jamb
- K2. Plan - Louver at Left Jamb
- K3. Plan - Door at Left Jamb
- M1. Plan - Window at Right Jamb
- M2. Plan - Louver at Right Jamb
- M3. Plan - Door at Right Jamb
- N1. Section - Window Sill
- N2. Section - Louver Sill
- P1. Section - Fascia to Soffit
- P2. Section - Fascia to Soffit
- Q1. Section - Soffit at Top of Wall



11831 BEVERLY PARK RD. BUILDING C, EVERETT, WA 98204
 * PHONE: 425.740.3702 * FAX: 425.740.3701 *
 www.northclad.com

This document is property of NorthClad and should not be used, duplicated or modified without the express written consent. Copyright © 2010 NorthClad All Rights Reserved

NO.	DESCRIPTION	DATE	INIT.
1	Design	10/31/2014	M E
2			
3			
4			
5			
6			
7			
8			
9			
10			

Project

**NorthClad AL
 Panel Standard
 Details**

**Insulation Inside
 the Stud Cavity**

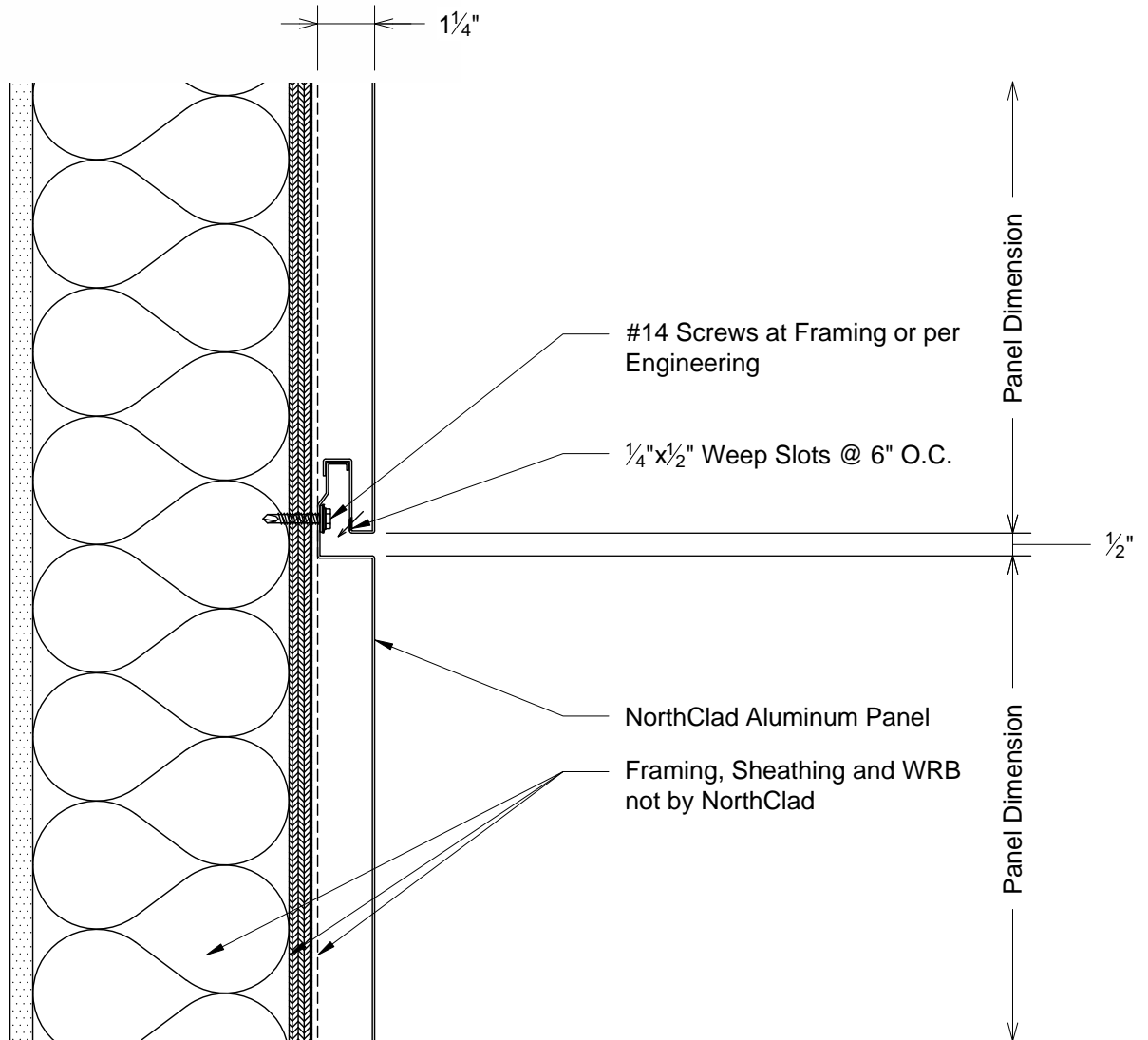
Sheet Title **DET**

Scale

Job Number

Sheet
Index

APPROVED



A Section - Horizontal Joint
DET



11831 BEVERLY PARK RD. BUILDING C, EVERETT, WA 98204
* PHONE: 425.740.3702 * FAX: 425.740.3701 *
www.northclad.com

This document is property of NorthClad and should not be used, duplicated or modified without the express written consent. Copyright © 2010 NorthClad All Rights Reserved

NO.	DESCRIPTION	DATE	INIT.
1	Design	10/31/2014	M.E.
2			
3			
4			
5			
6			
7			
8			
9			
10			

Project

NorthClad AL Panel Standard Details

Insulation Inside the Stud Cavity

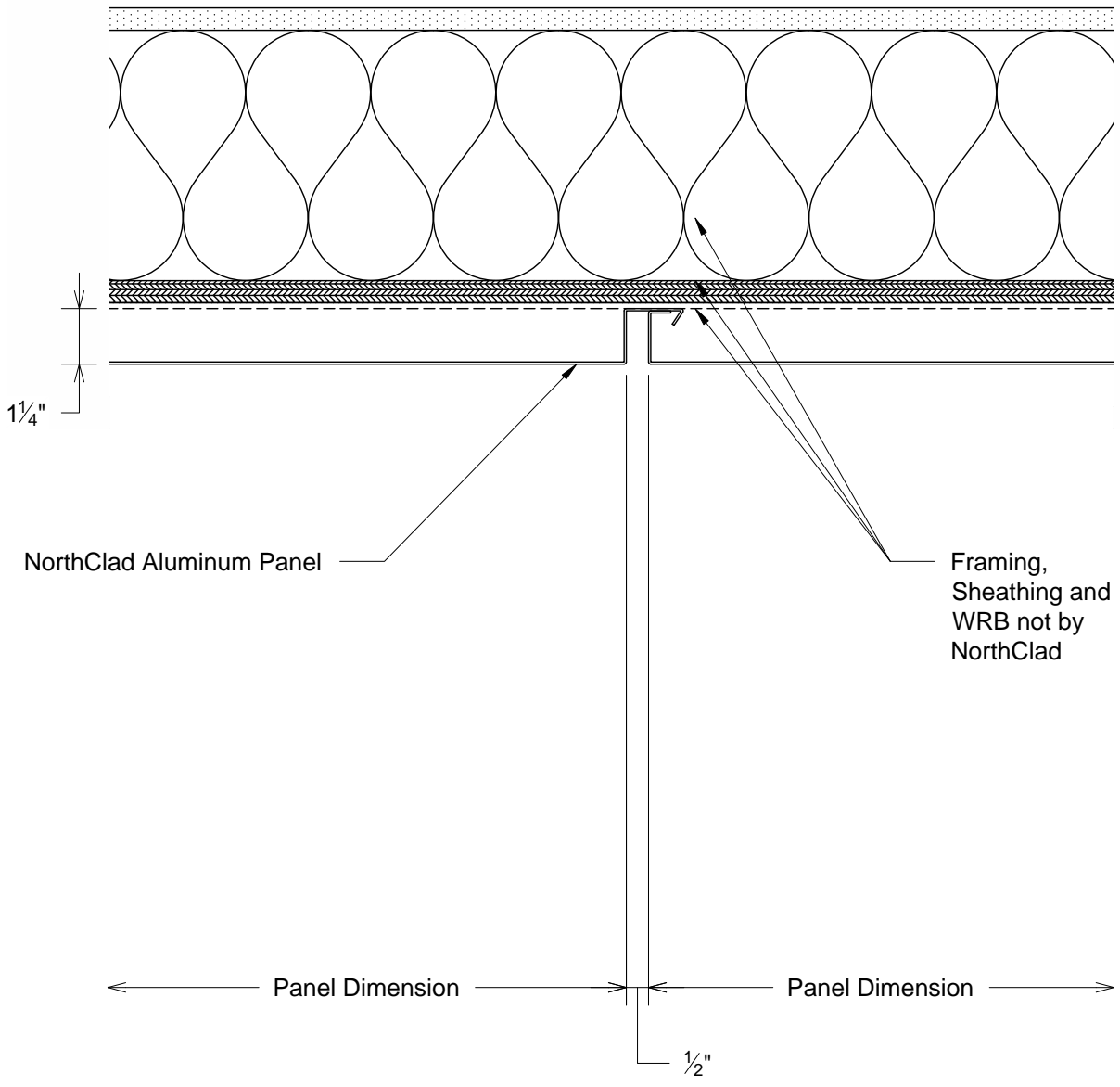
Sheet Title
DET

Scale
3" = 1'-0"

Job Number

Sheet
DET A

APPROVED



B
DET Plan - Vertical Joint



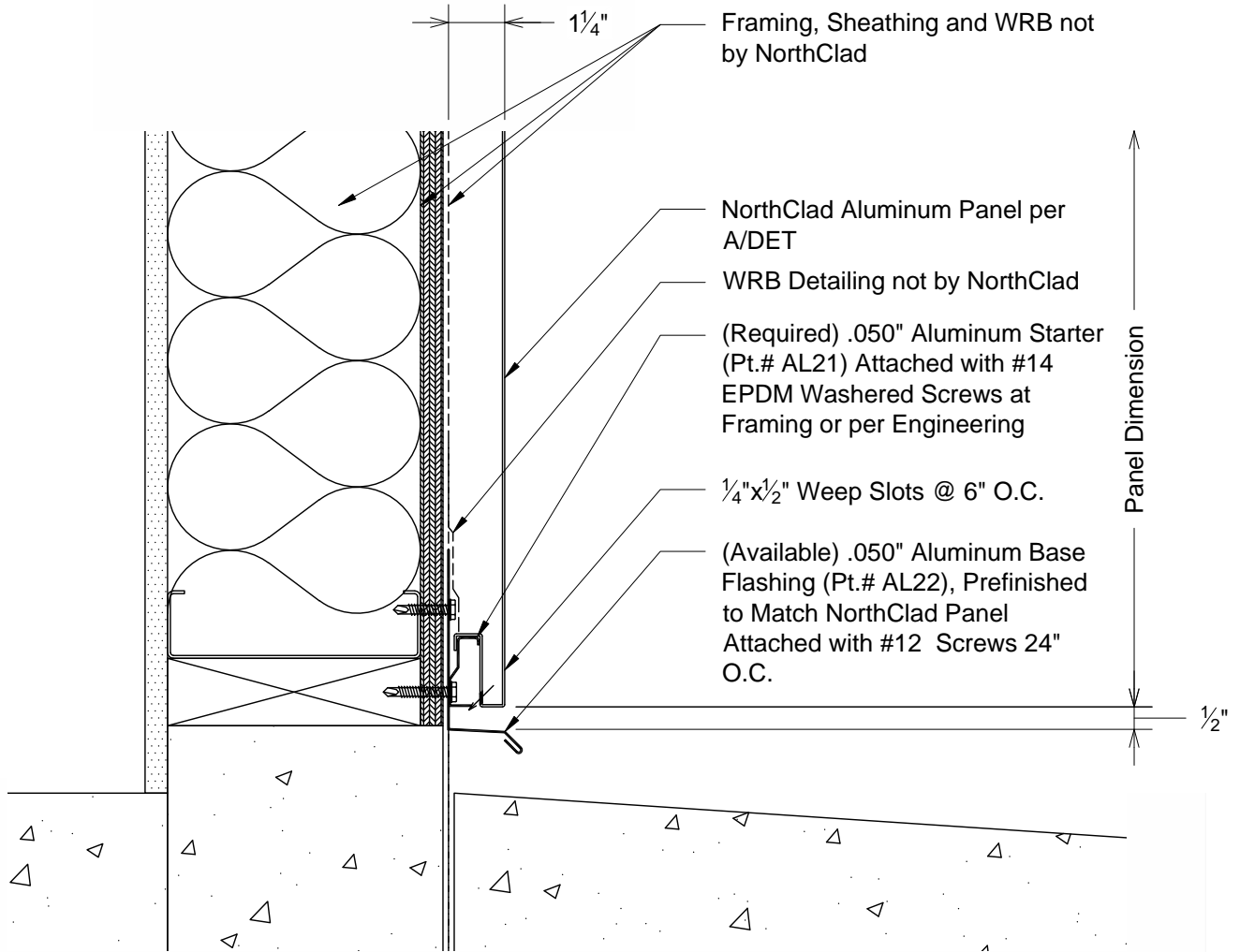
11831 BEVERLY PARK RD. BUILDING C, EVERETT, WA 98204
 * PHONE: 425.740.3702 * FAX: 425.740.3701 *
 www.northclad.com

This document is property of NorthClad and should not be used, duplicated or modified without the express written consent. Copyright © 2010 NorthClad All Rights Reserved

NO.	DESCRIPTION	DATE	INIT.
1	Design	10/31/2014	M E
2			
3			
4			
5			
6			
7			
8			
9			
10			

Project
**NorthClad AL
 Panel Standard
 Details**
 Insulation Inside
 the Stud Cavity

Sheet Title	DET
Scale	3" = 1'-0"
Job Number	
Sheet	DET B
APPROVED	



C
DET Section - Base of Wall



11831 BEVERLY PARK RD. BUILDING C, EVERETT, WA 98204
 * PHONE: 425.740.3702 * FAX: 425.740.3701 *
 www.northclad.com

This document is property of NorthClad and should not be used, duplicated or modified without the express written consent. Copyright © 2010 NorthClad All Rights Reserved

NO.	DESCRIPTION	DATE	INIT.
1	Design	10/31/2014	M.E.
2			
3			
4			
5			
6			
7			
8			
9			
10			

Project

NorthClad AL Panel Standard Details

Insulation Inside the Stud Cavity

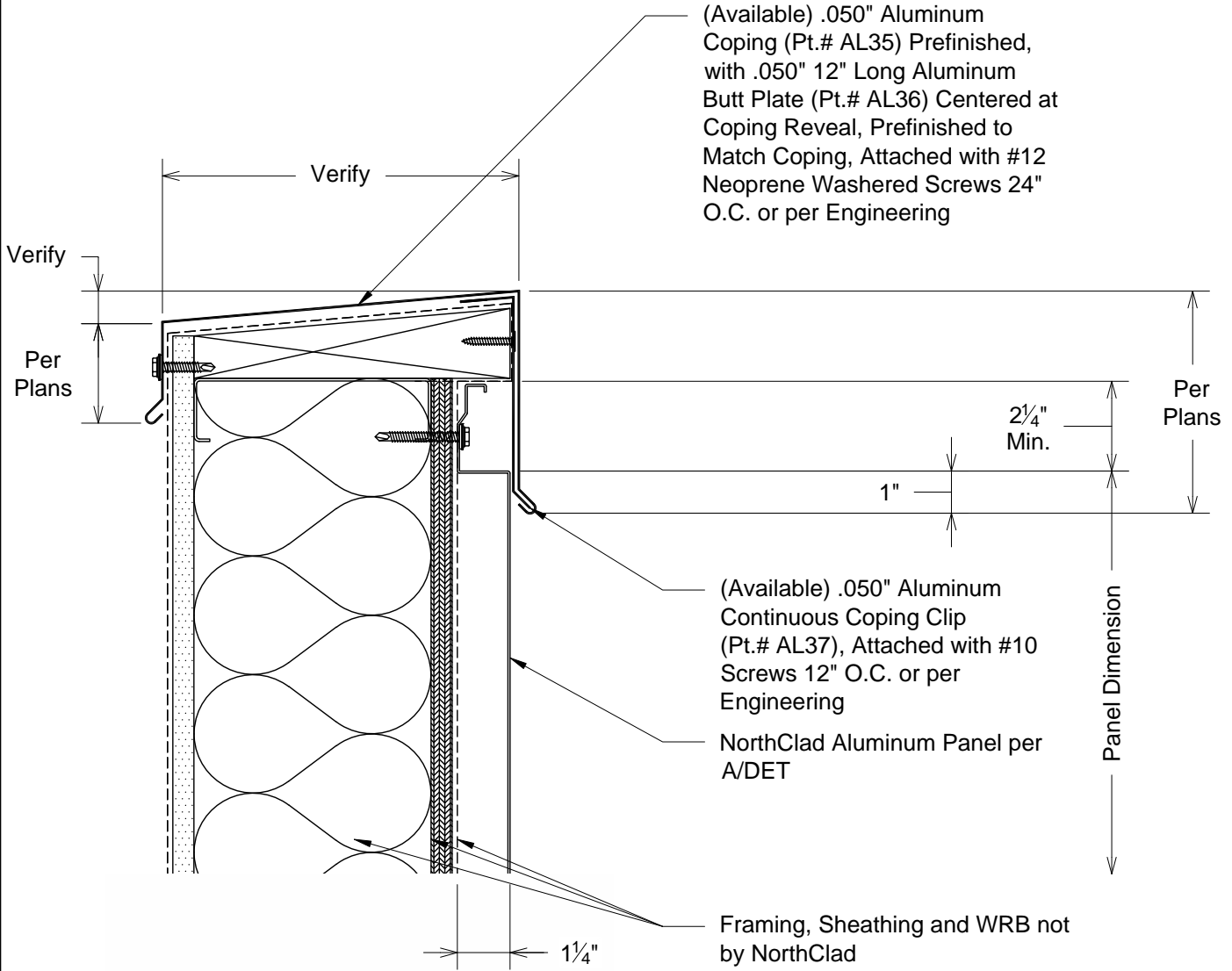
Sheet Title
DET

Scale
3" = 1'-0"

Job Number

Sheet
DET C

APPROVED



D Section - Coping
DET



11831 BEVERLY PARK RD. BUILDING C, EVERETT, WA 98204
* PHONE: 425.740.3702 * FAX: 425.740.3701 *
www.northclad.com

This document is property of NorthClad and should not be used, duplicated or modified without the express written consent. Copyright © 2010 NorthClad All Rights Reserved

NO.	DESCRIPTION	DATE	INIT.
1	Design	10/31/2014	M.E.
2			
3			
4			
5			
6			
7			
8			
9			
10			

Project

NorthClad AL Panel Standard Details

Insulation Inside the Stud Cavity

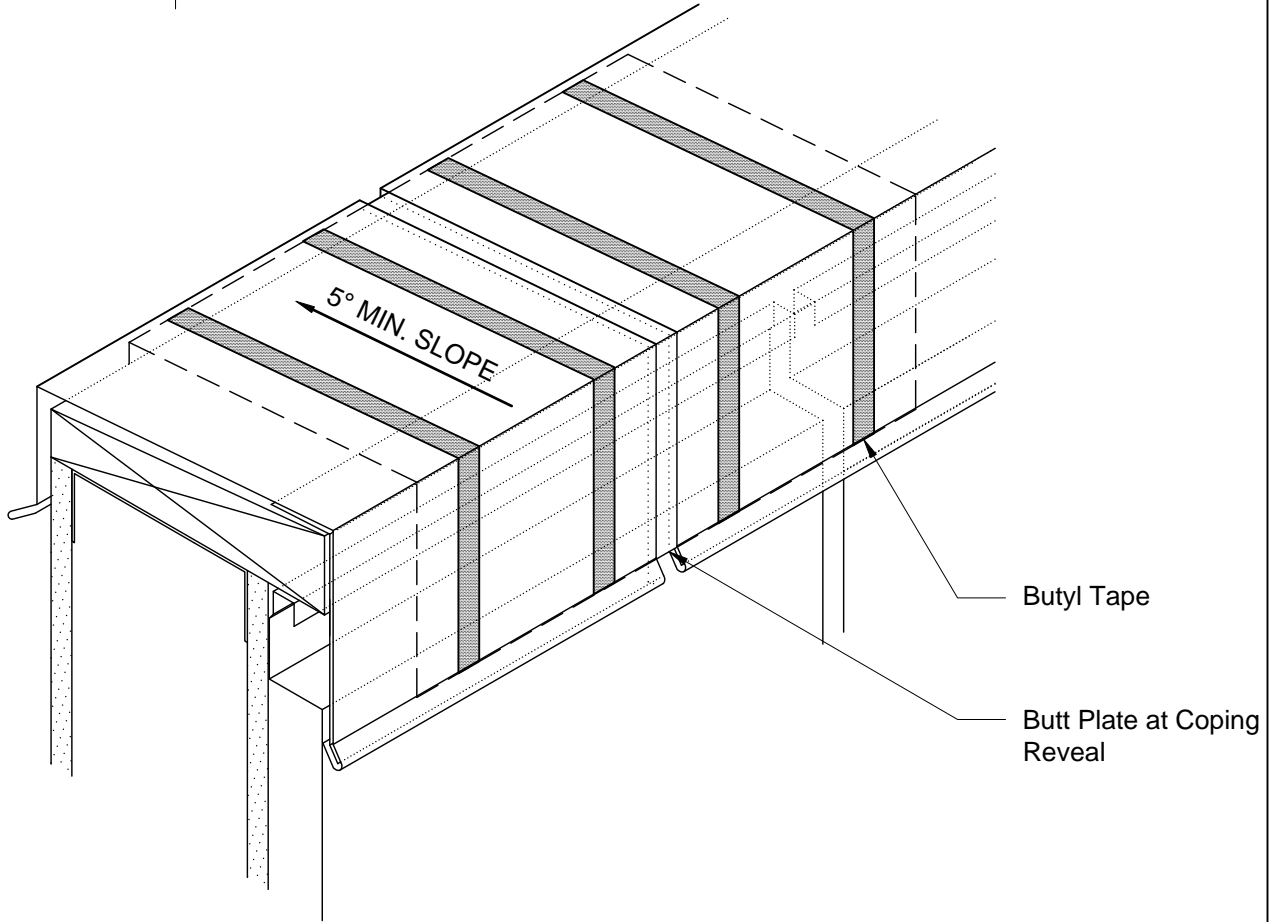
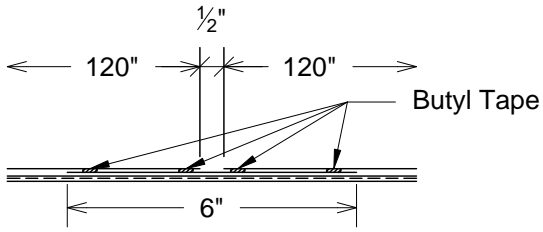
Sheet Title
DET

Scale
3" = 1'-0"

Job Number

Sheet
DET D

APPROVED



E Isometric - Coping Splice
DET



11831 BEVERLY PARK RD. BUILDING C, EVERETT, WA 98204
* PHONE: 425.740.3702 * FAX: 425.740.3701 *
www.northclad.com

This document is property of NorthClad and should not be used, duplicated or modified without the express written consent. Copyright © 2010 NorthClad All Rights Reserved

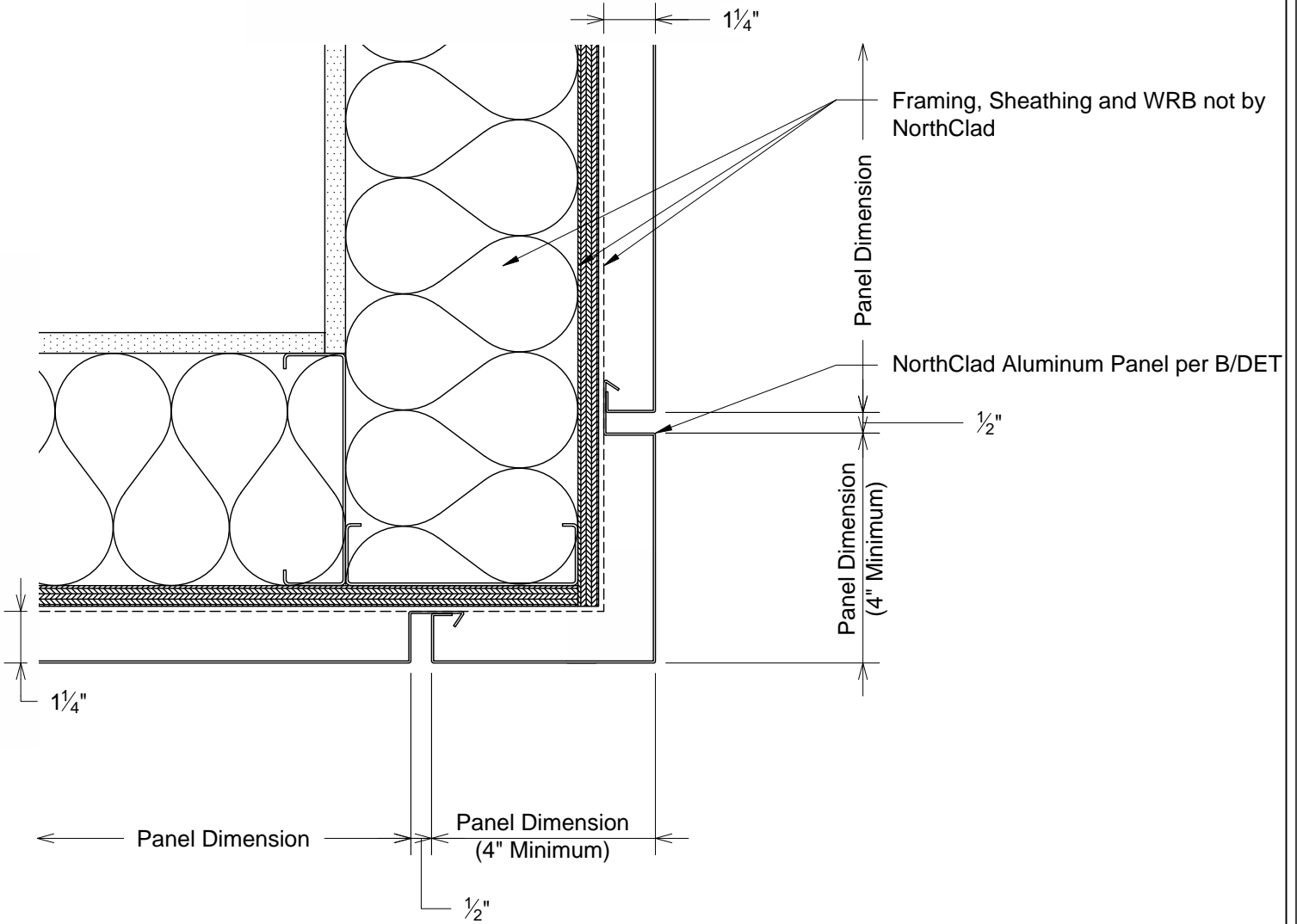
NO.	DESCRIPTION	DATE	INIT.
1	Design	10/31/2014	M E
2			
3			
4			
5			
6			
7			
8			
9			
10			

Project

NorthClad AL Panel Standard Details

Insulation Inside the Stud Cavity

Sheet Title	DET
Scale	3" = 1'-0"
Job Number	
Sheet	DET E
APPROVED	



G1 Plan - Outside Corner without Trim
DET



11831 BEVERLY PARK RD. BUILDING C, EVERETT, WA 98204
* PHONE: 425.740.3702 * FAX: 425.740.3701 *
www.northclad.com

This document is property of NorthClad and should not be used, duplicated or modified without the express written consent. Copyright © 2010 NorthClad All Rights Reserved

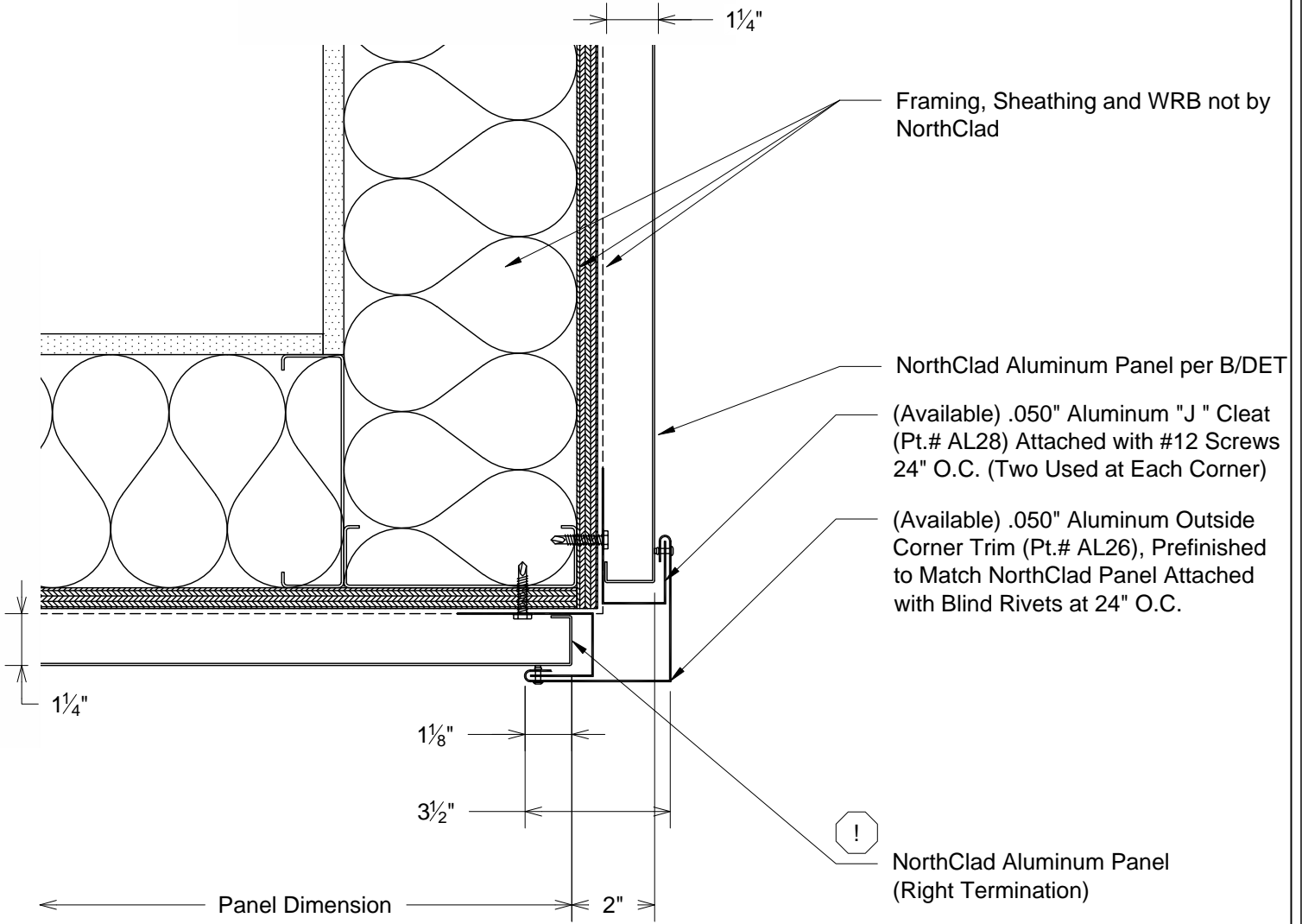
NO.	DESCRIPTION	DATE	INIT.
1	Design	10/31/2014	M.E.
2			
3			
4			
5			
6			
7			
8			
9			
10			

Project

NorthClad AL Panel Standard Details

Insulation Inside the Stud Cavity

Sheet Title	DET
Scale	3" = 1'-0"
Job Number	
Sheet	DET G1
APPROVED	



G2 Plan - Outside Corner with Trim
DET



11831 BEVERLY PARK RD. BUILDING C, EVERETT, WA 98204
* PHONE: 425.740.3702 * FAX: 425.740.3701 *
www.northclad.com

This document is property of NorthClad and should not be used, duplicated or modified without the express written consent. Copyright © 2010 NorthClad All Rights Reserved

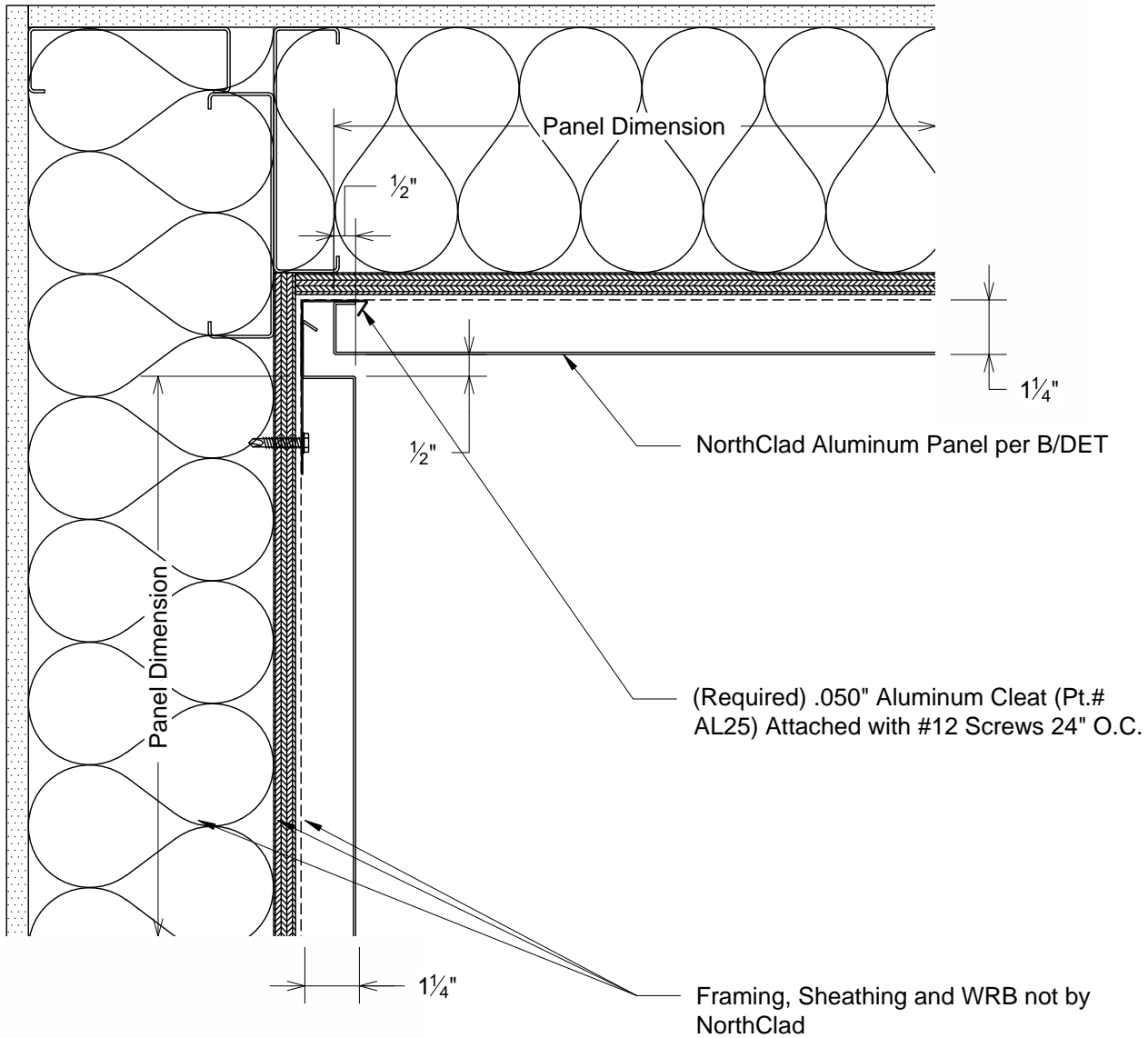
NO.	DESCRIPTION	DATE	INIT.
1	Design	10/31/2014	M E
2			
3			
4			
5			
6			
7			
8			
9			
10			

Project

NorthClad AL Panel Standard Details

Insulation Inside the Stud Cavity

Sheet Title	DET
Scale	3" = 1'-0"
Job Number	
Sheet	DET G2
APPROVED	



H1 Plan - Inside Corner without Trim
DET



11831 BEVERLY PARK RD. BUILDING C, EVERETT, WA 98204
* PHONE: 425.740.3702 * FAX: 425.740.3701 *
www.northclad.com

This document is property of NorthClad and should not be used, duplicated or modified without the express written consent. Copyright © 2010 NorthClad All Rights Reserved

NO.	DESCRIPTION	DATE	INIT.
1	Design	10/31/2014	M.E.
2			
3			
4			
5			
6			
7			
8			
9			
10			

Project

NorthClad AL Panel Standard Details

Insulation Inside the Stud Cavity

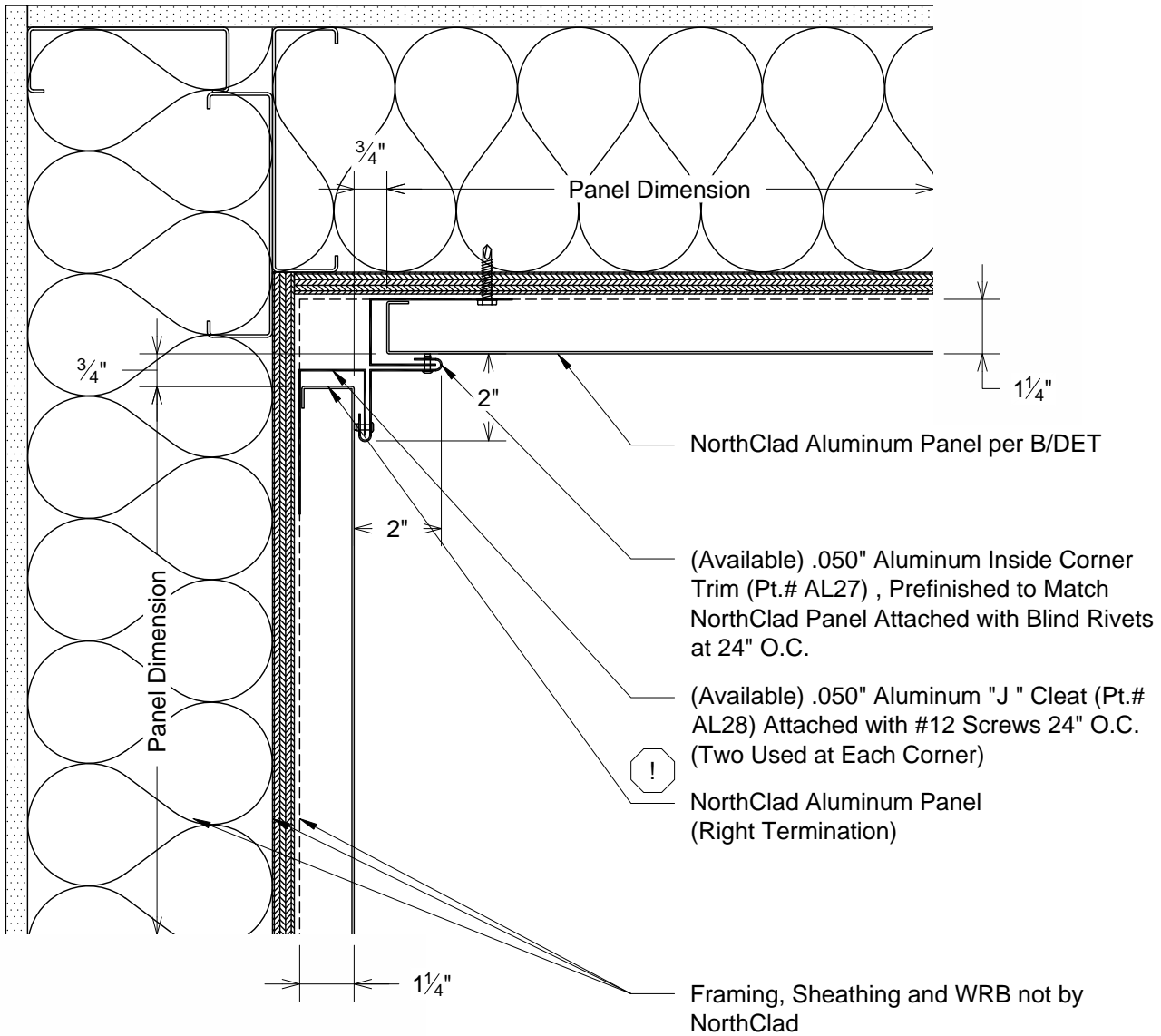
Sheet Title DET

Scale 3" = 1'-0"

Job Number

Sheet DET H1

APPROVED



H2
DET Plan - Inside Corner with Trim



11831 BEVERLY PARK RD. BUILDING C, EVERETT, WA 98204
* PHONE: 425.740.3702 * FAX: 425.740.3701 *
www.northclad.com

This document is property of NorthClad and should not be used, duplicated or modified without the express written consent. Copyright © 2010 NorthClad All Rights Reserved

NO.	DESCRIPTION	DATE	INIT.
1	Design	10/31/2014	M.E.
2			
3			
4			
5			
6			
7			
8			
9			
10			

Project

NorthClad AL Panel Standard Details

Insulation Inside the Stud Cavity

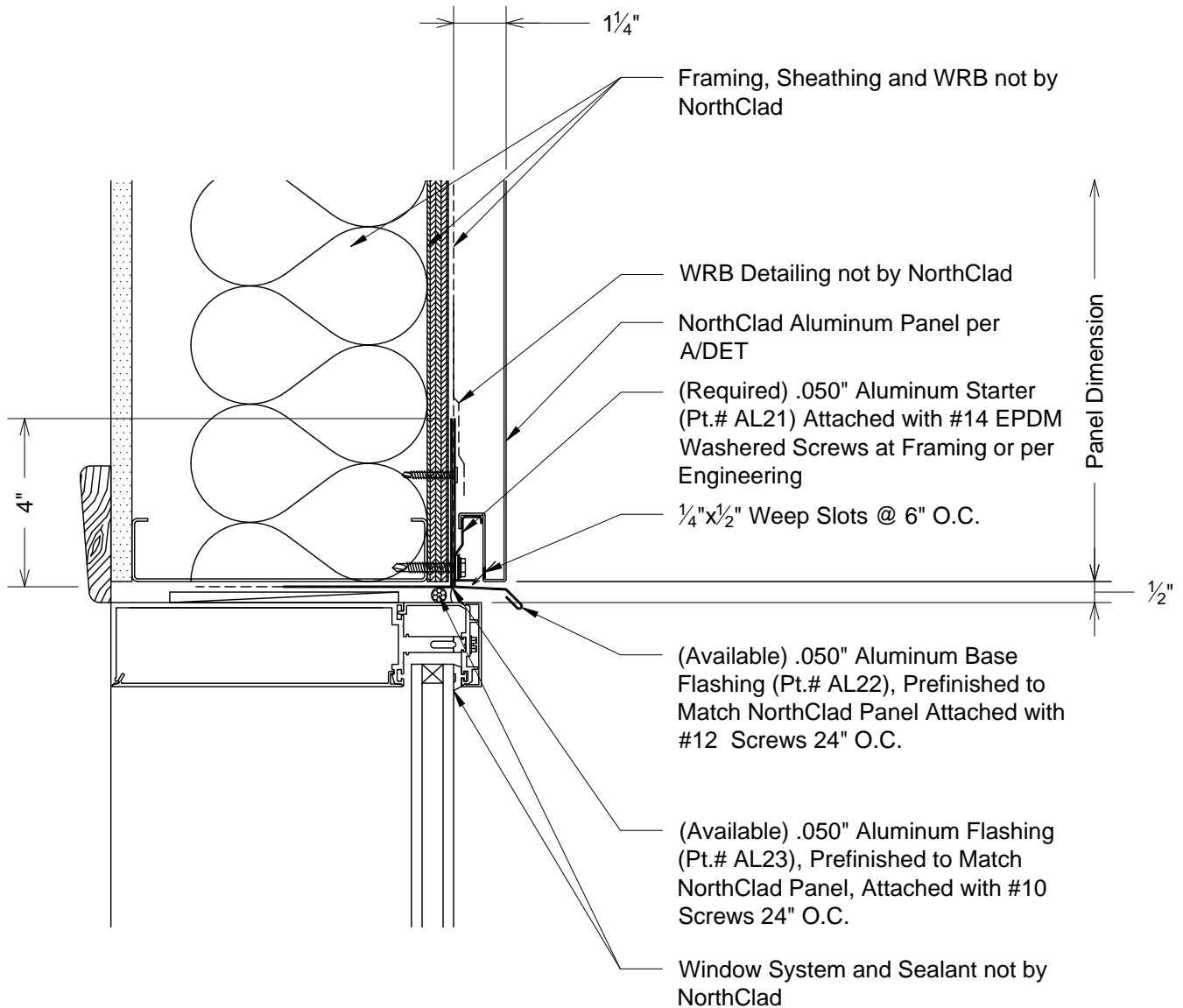
Sheet Title
DET

Scale
3" = 1'-0"

Job Number

Sheet
DET H2

APPROVED



J1 Section - Window Head
DET



11831 BEVERLY PARK RD. BUILDING C, EVERETT, WA 98204
* PHONE: 425.740.3702 * FAX: 425.740.3701 *
www.northclad.com

This document is property of NorthClad and should not be used, duplicated or modified without the express written consent. Copyright © 2010 NorthClad All Rights Reserved

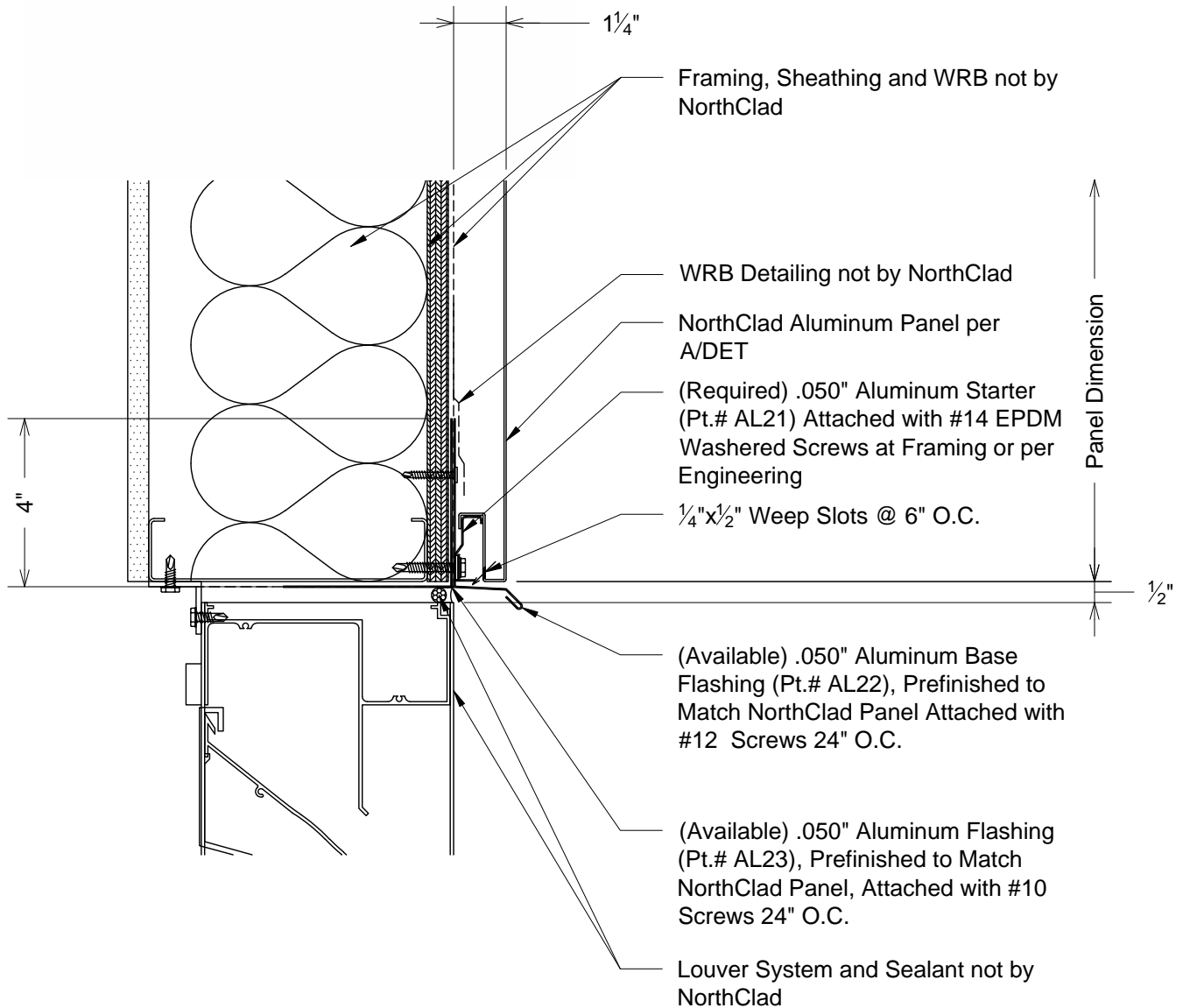
NO.	DESCRIPTION	DATE	INIT.
1	Design	10/31/2014	M E
2			
3			
4			
5			
6			
7			
8			
9			
10			

Project

NorthClad AL Panel Standard Details

Insulation Inside the Stud Cavity

Sheet Title	DET
Scale	3" = 1'-0"
Job Number	
Sheet	DET J1
APPROVED	



J2 Section - Louver Head
DET



11831 BEVERLY PARK RD. BUILDING C, EVERETT, WA 98204
* PHONE: 425.740.3702 * FAX: 425.740.3701 *
www.northclad.com

This document is property of NorthClad and should not be used, duplicated or modified without the express written consent. Copyright © 2010 NorthClad All Rights Reserved

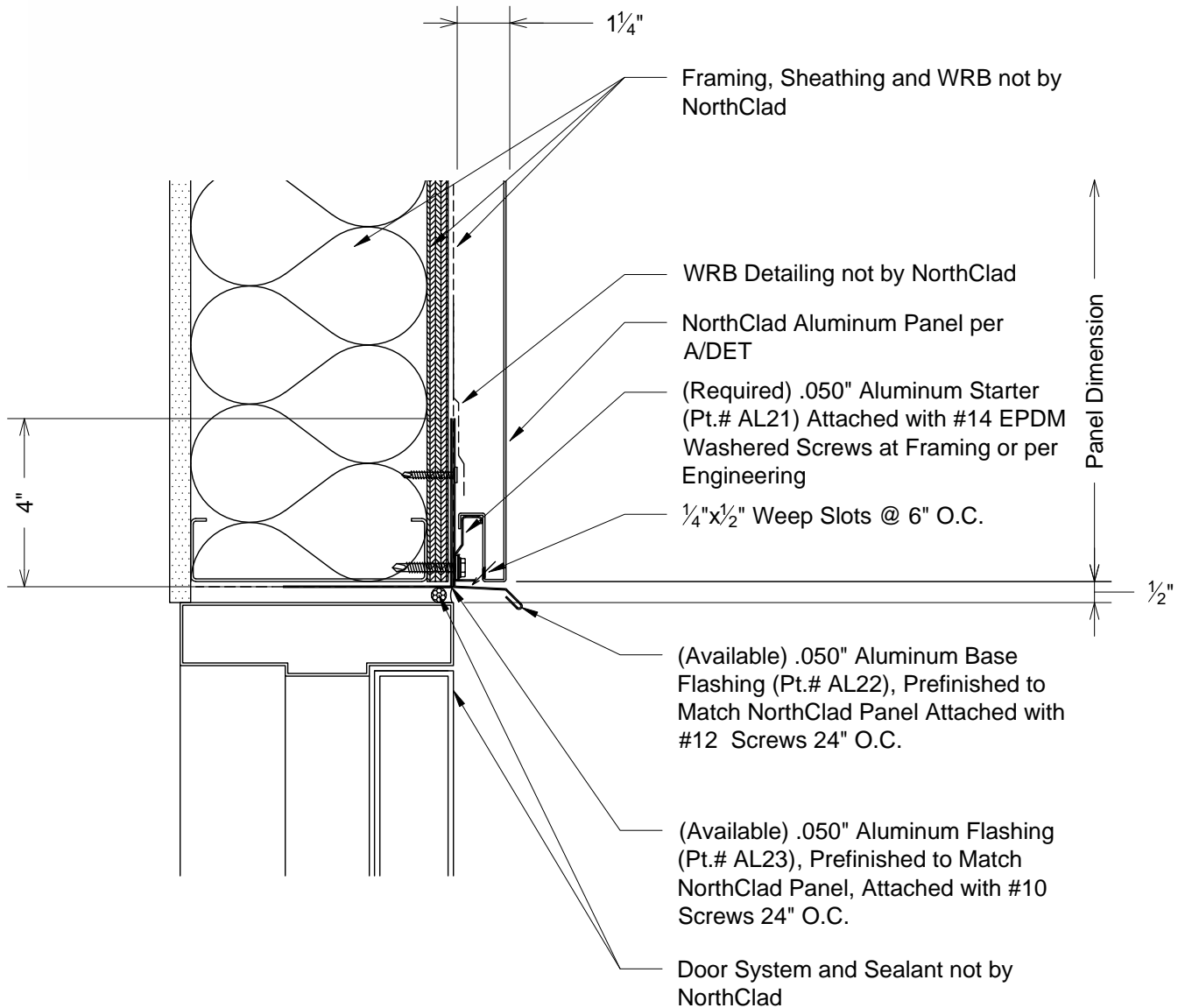
NO.	DESCRIPTION	DATE	INIT.
1	Design	10/31/2014	M E
2			
3			
4			
5			
6			
7			
8			
9			
10			

Project

NorthClad AL Panel Standard Details

Insulation Inside the Stud Cavity

Sheet Title	DET
Scale	3" = 1'-0"
Job Number	
Sheet	DET J2
APPROVED	



J3 Section - Door Head
DET



11831 BEVERLY PARK RD. BUILDING C, EVERETT, WA 98204
* PHONE: 425.740.3702 * FAX: 425.740.3701 *
www.northclad.com

This document is property of NorthClad and should not be used, duplicated or modified without the express written consent. Copyright © 2010 NorthClad All Rights Reserved

NO.	DESCRIPTION	DATE	INIT.
1	Design	10/31/2014	M E
2			
3			
4			
5			
6			
7			
8			
9			
10			

Project

NorthClad AL Panel Standard Details

Insulation Inside the Stud Cavity

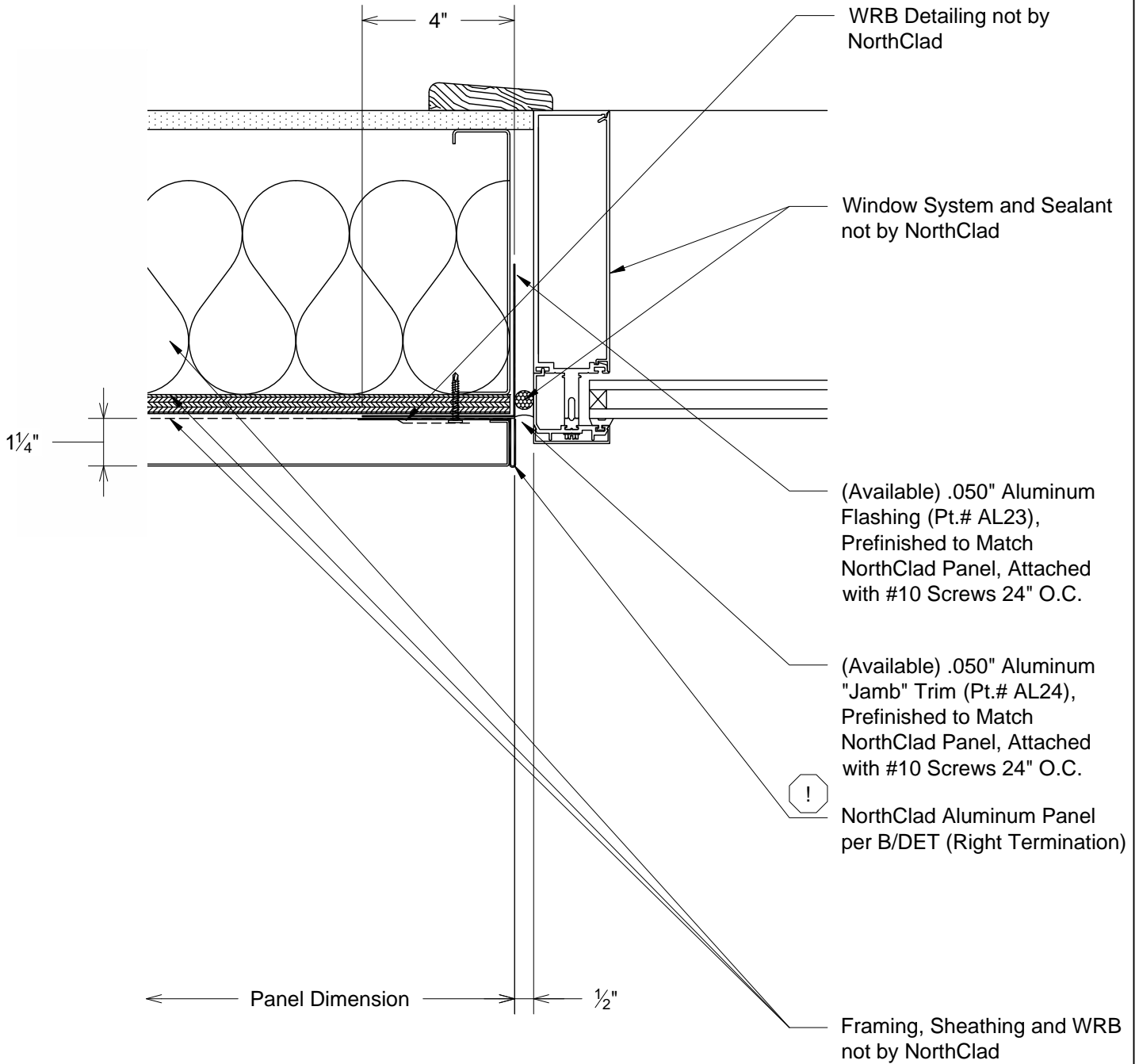
Sheet Title DET

Scale 3" = 1'-0"

Job Number

Sheet DET J3

APPROVED



K1 Plan - Window at Left Jamb
DET



11831 BEVERLY PARK RD. BUILDING C, EVERETT, WA 98204
* PHONE: 425.740.3702 * FAX: 425.740.3701 *
www.northclad.com

This document is property of NorthClad and should not be used, duplicated or modified without the express written consent. Copyright © 2010 NorthClad All Rights Reserved

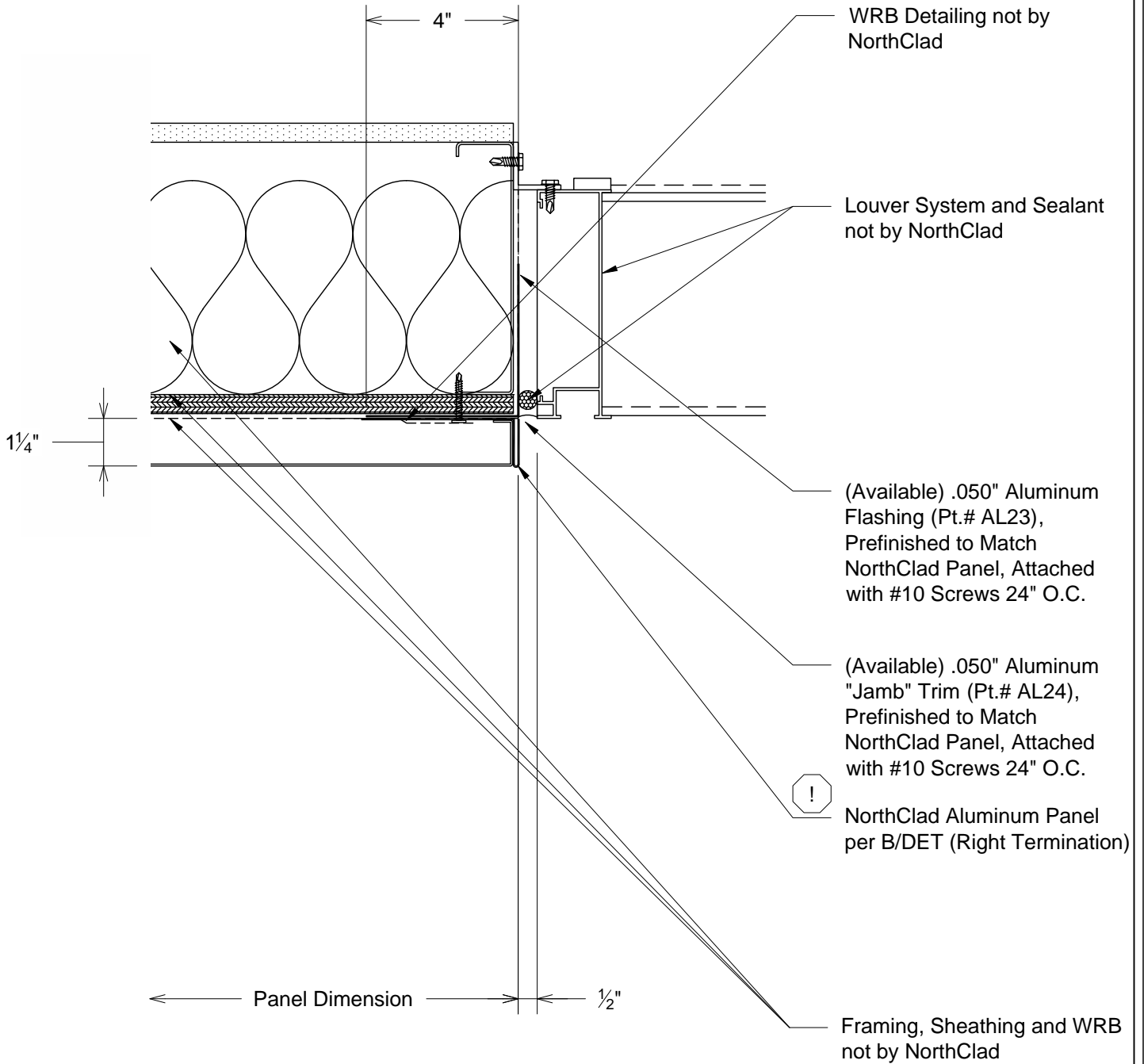
NO.	DESCRIPTION	DATE	INIT.
1	Design	10/31/2014	M E
2			
3			
4			
5			
6			
7			
8			
9			
10			

Project

NorthClad AL Panel Standard Details

Insulation Inside the Stud Cavity

Sheet Title	DET
Scale	3" = 1'-0"
Job Number	
Sheet	DET K1
APPROVED	



K2 Plan - Louver at Left Jamb
DET



11831 BEVERLY PARK RD. BUILDING C, EVERETT, WA 98204
* PHONE: 425.740.3702 * FAX: 425.740.3701 *
www.northclad.com

This document is property of NorthClad and should not be used, duplicated or modified without the express written consent. Copyright © 2010 NorthClad All Rights Reserved

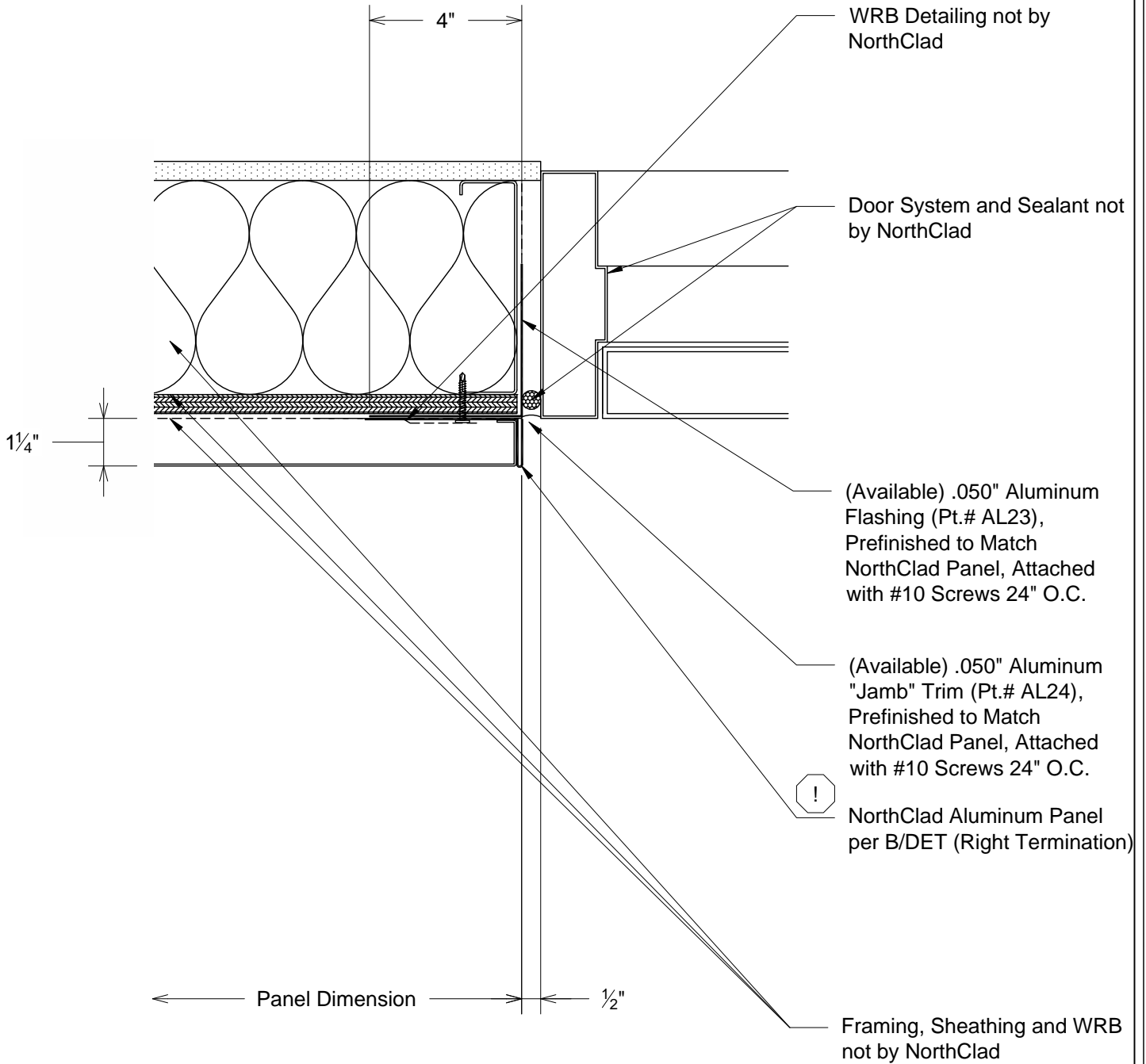
NO.	DESCRIPTION	DATE	INIT.
1	Design	10/31/2014	M E
2			
3			
4			
5			
6			
7			
8			
9			
10			

Project

NorthClad AL Panel Standard Details

Insulation Inside the Stud Cavity

Sheet Title	DET
Scale	3" = 1'-0"
Job Number	
Sheet	DET K2
APPROVED	



K3
DET
Plan - Door at Left Jamb



11831 BEVERLY PARK RD. BUILDING C, EVERETT, WA 98204
* PHONE: 425.740.3702 * FAX: 425.740.3701 *
www.northclad.com

This document is property of NorthClad and should not be used, duplicated or modified without the express written consent. Copyright © 2010 NorthClad All Rights Reserved

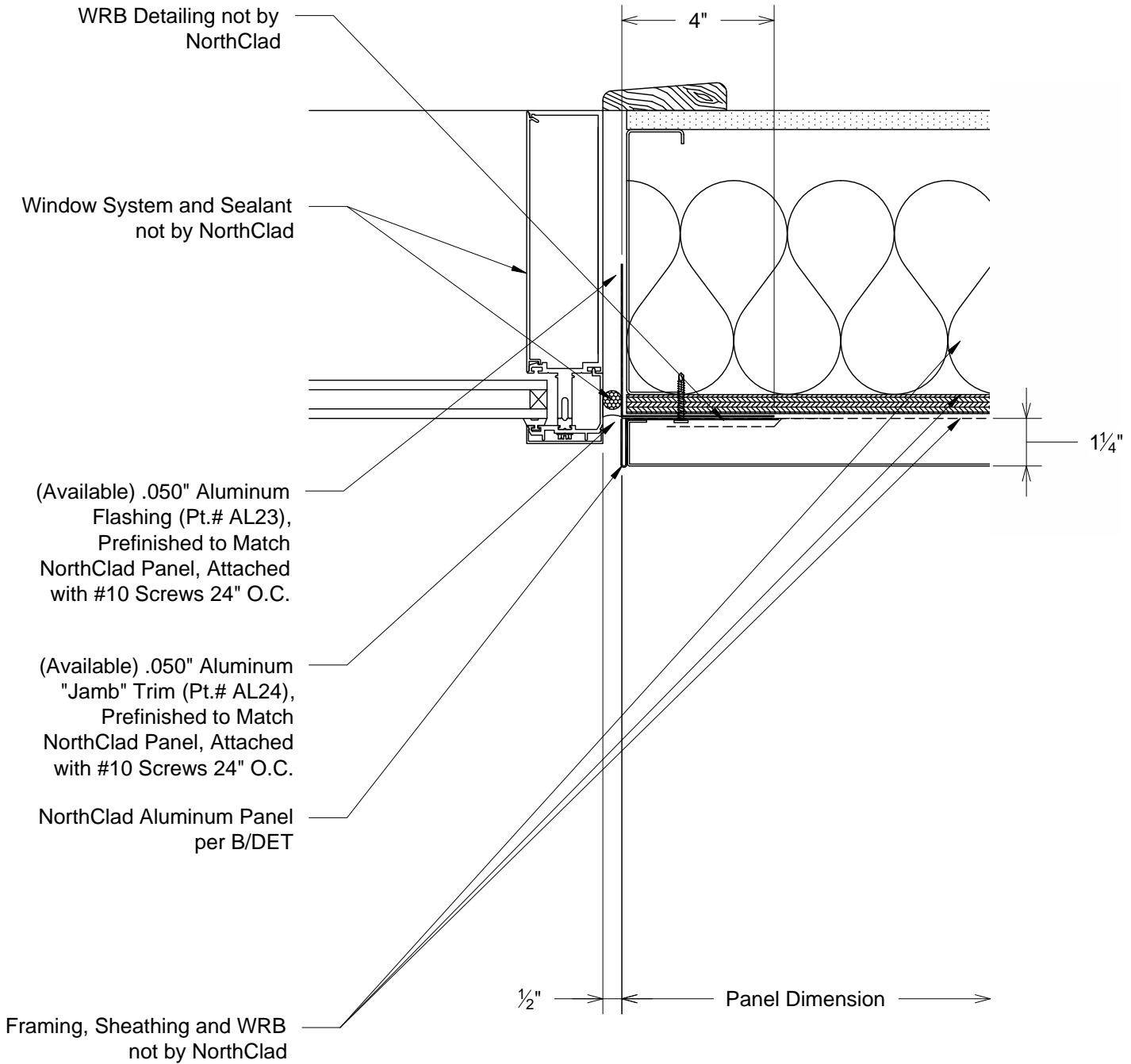
NO.	DESCRIPTION	DATE	INIT.
1	Design	10/31/2014	M.E.
2			
3			
4			
5			
6			
7			
8			
9			
10			

Project

NorthClad AL Panel Standard Details

Insulation Inside
the Stud Cavity

Sheet Title	DET
Scale	3" = 1'-0"
Job Number	
Sheet	DET K3
APPROVED	



M1 Plan - Window at Right Jamb
DET



11831 BEVERLY PARK RD. BUILDING C, EVERETT, WA 98204
* PHONE: 425.740.3702 * FAX: 425.740.3701 *
www.northclad.com

This document is property of NorthClad and should not be used, duplicated or modified without the express written consent. Copyright © 2010 NorthClad All Rights Reserved

NO.	DESCRIPTION	DATE	INIT.
1	Design	10/31/2014	M E
2			
3			
4			
5			
6			
7			
8			
9			
10			

Project

NorthClad AL Panel Standard Details

Insulation Inside the Stud Cavity

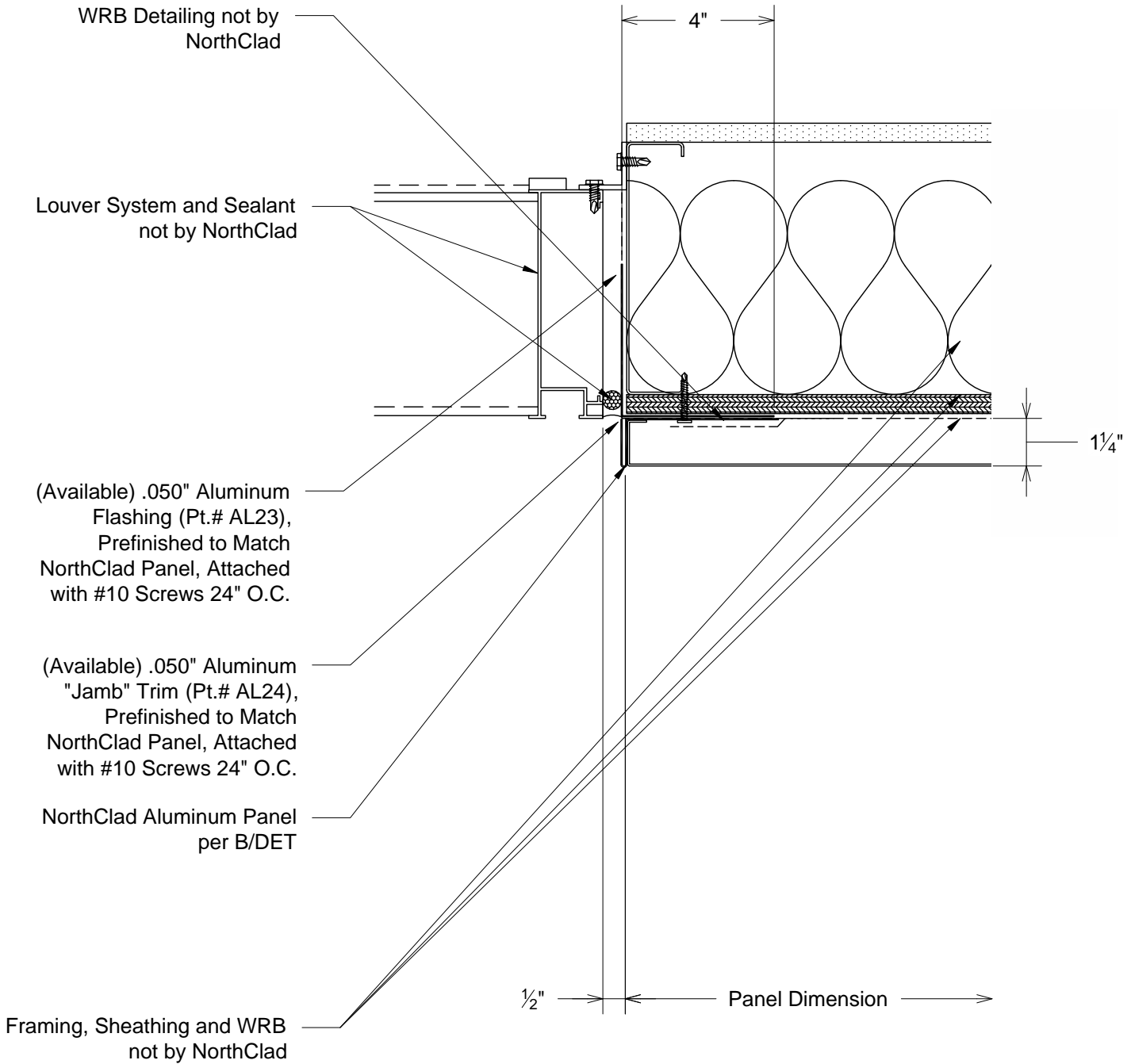
Sheet Title DET

Scale 3" = 1'-0"

Job Number

Sheet DET M1

APPROVED



M2 Plan - Louver at Right Jamb
DET



11831 BEVERLY PARK RD. BUILDING C, EVERETT, WA 98204
* PHONE: 425.740.3702 * FAX: 425.740.3701 *
www.northclad.com

This document is property of NorthClad and should not be used, duplicated or modified without the express written consent. Copyright © 2010 NorthClad All Rights Reserved

NO.	DESCRIPTION	DATE	INIT.
1	Design	10/31/2014	M E
2			
3			
4			
5			
6			
7			
8			
9			
10			

Project

NorthClad AL Panel Standard Details

Insulation Inside the Stud Cavity

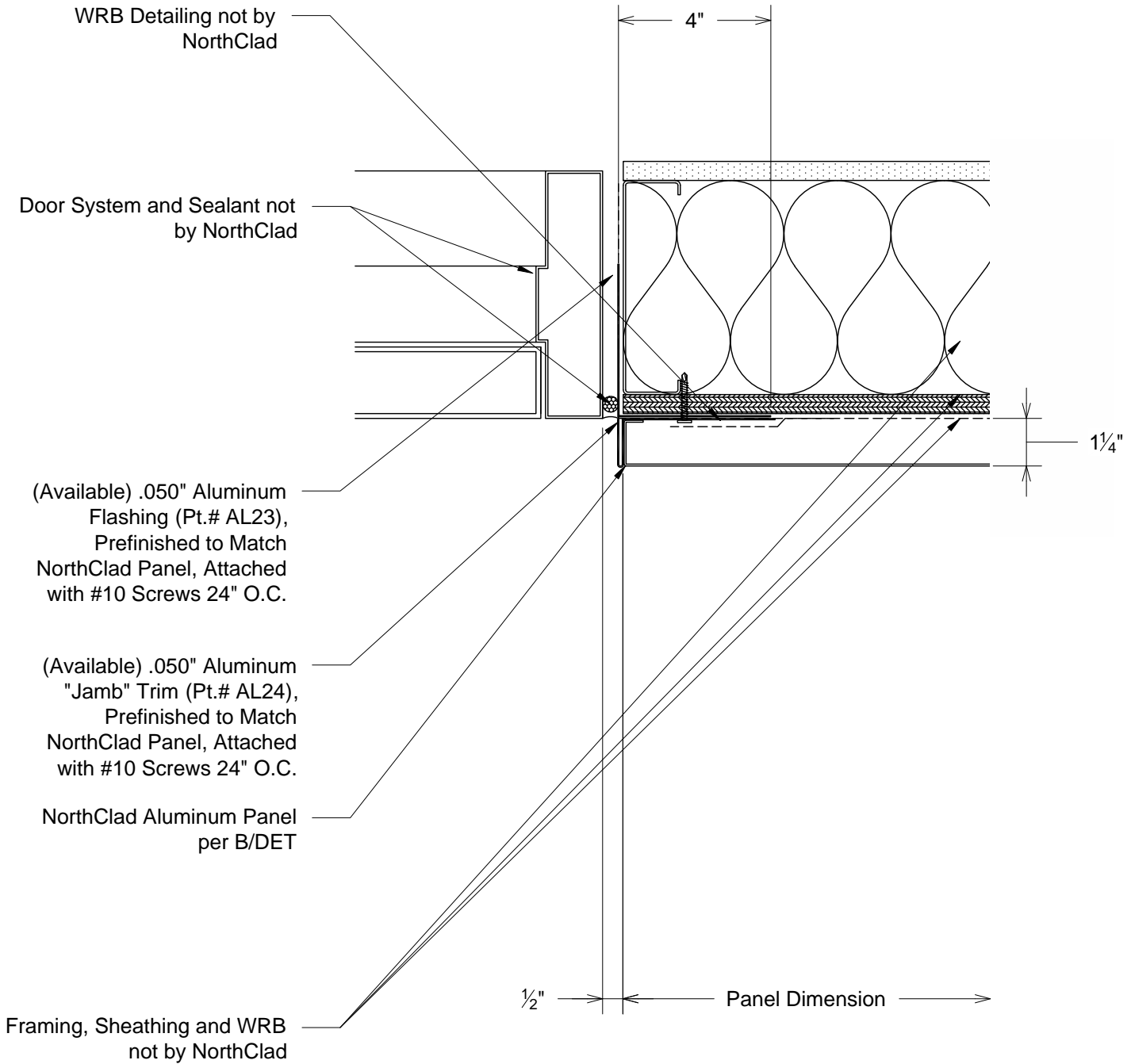
Sheet Title
DET

Scale
3" = 1'-0"

Job Number

Sheet
DET M2

APPROVED



M3
DET Plan - Door at Right Jamb



11831 BEVERLY PARK RD. BUILDING C, EVERETT, WA 98204
* PHONE: 425.740.3702 * FAX: 425.740.3701 *
www.northclad.com

This document is property of NorthClad and should not be used, duplicated or modified without the express written consent. Copyright © 2010 NorthClad All Rights Reserved

NO.	DESCRIPTION	DATE	INIT.
1	Design	10/31/2014	M E
2			
3			
4			
5			
6			
7			
8			
9			
10			

Project

NorthClad AL Panel Standard Details

Insulation Inside the Stud Cavity

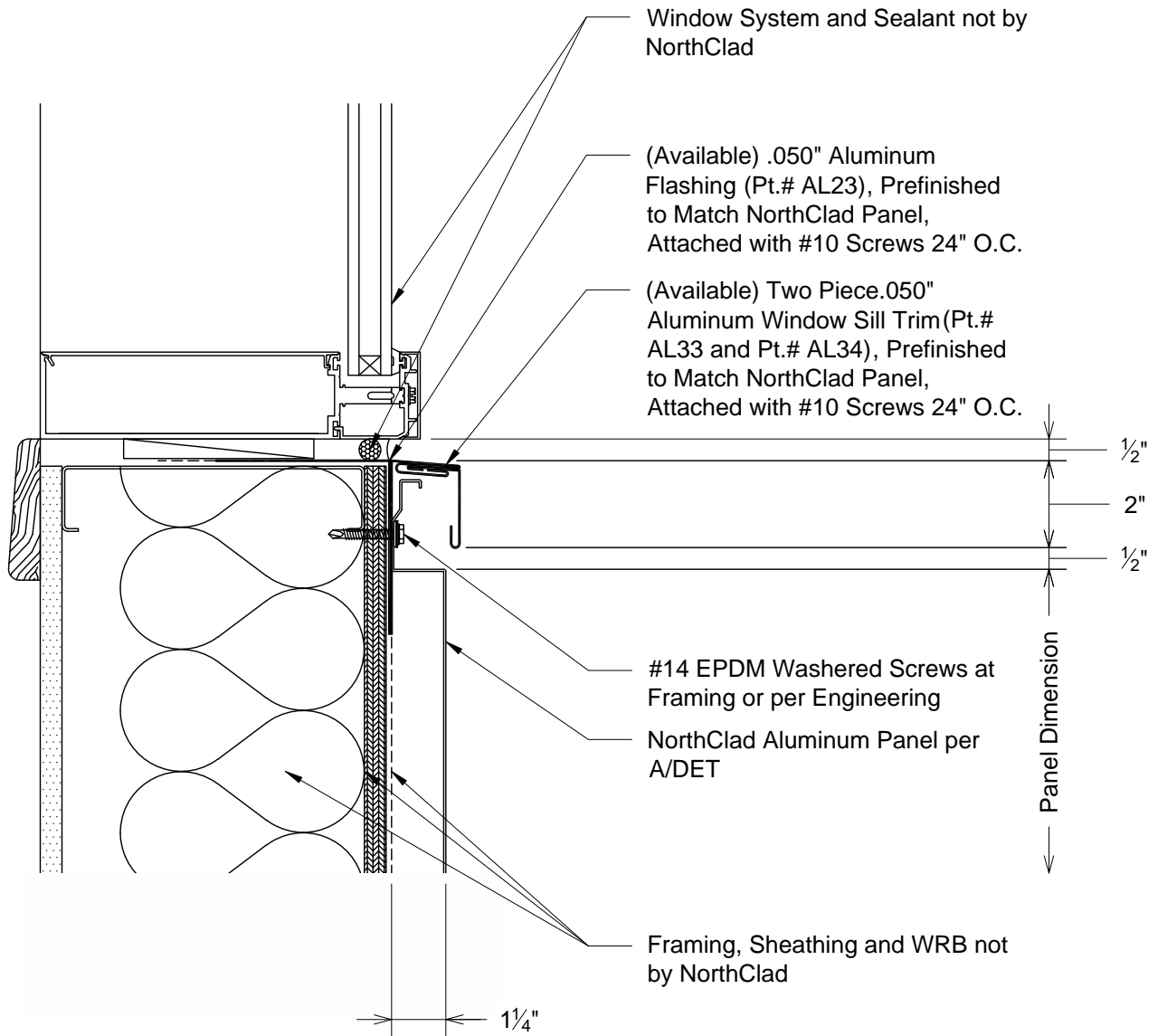
Sheet Title
DET

Scale
3" = 1'-0"

Job Number

Sheet
DET M3

APPROVED



N1 Section - Window Sill
DET



11831 BEVERLY PARK RD. BUILDING C, EVERETT, WA 98204
* PHONE: 425.740.3702 * FAX: 425.740.3701 *
www.northclad.com

This document is property of NorthClad and should not be used, duplicated or modified without the express written consent. Copyright © 2010 NorthClad All Rights Reserved

NO.	DESCRIPTION	DATE	INIT.
1	Design	10/31/2014	M.E.
2			
3			
4			
5			
6			
7			
8			
9			
10			

Project

NorthClad AL Panel Standard Details

Insulation Inside the Stud Cavity

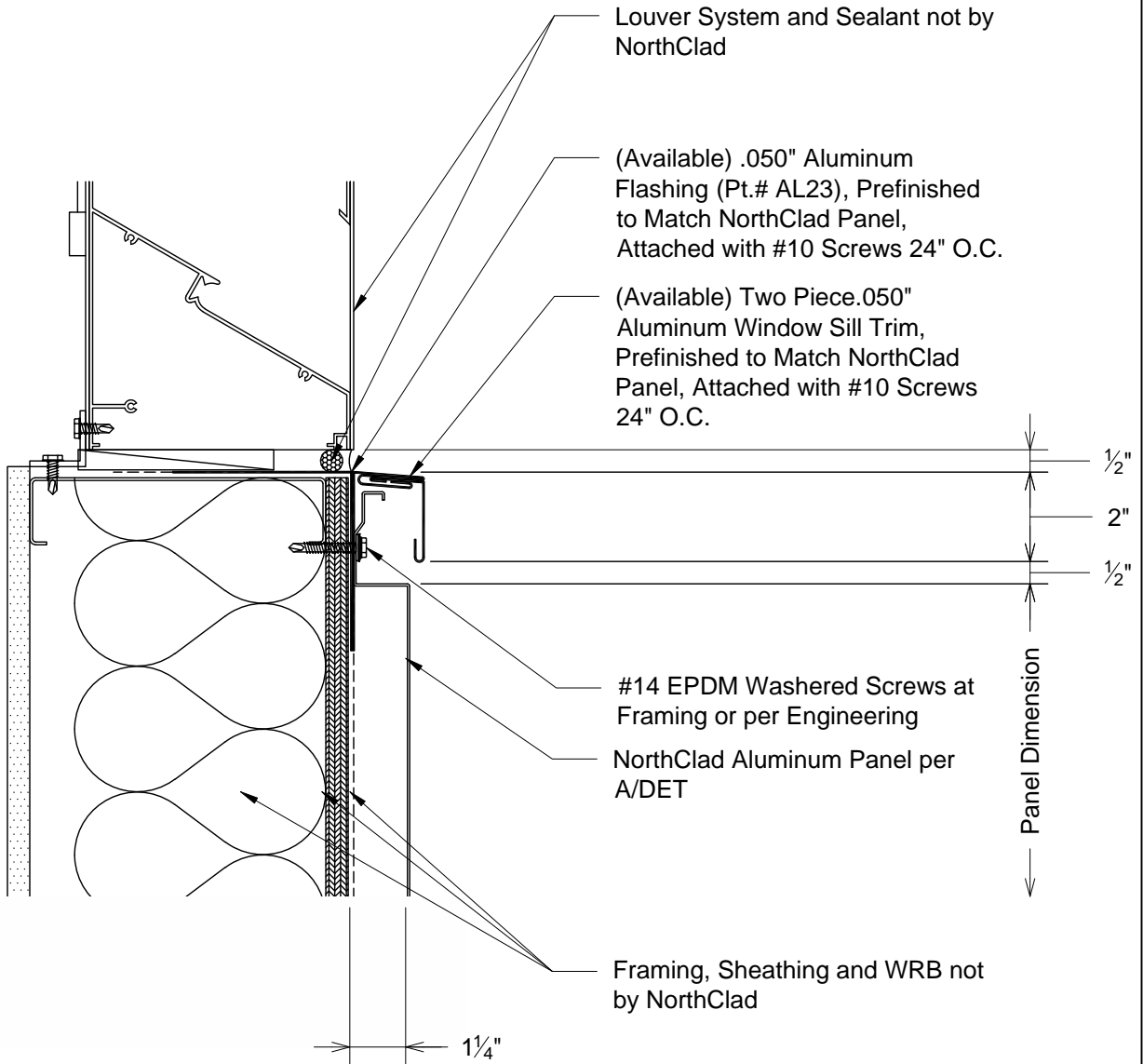
Sheet Title
DET

Scale
3" = 1'-0"

Job Number

Sheet
DET N1

APPROVED



N2 Section - Louver Sill
DET



11831 BEVERLY PARK RD. BUILDING C, EVERETT, WA 98204
* PHONE: 425.740.3702 * FAX: 425.740.3701 *
www.northclad.com

This document is property of NorthClad and should not be used, duplicated or modified without the express written consent. Copyright © 2010 NorthClad All Rights Reserved

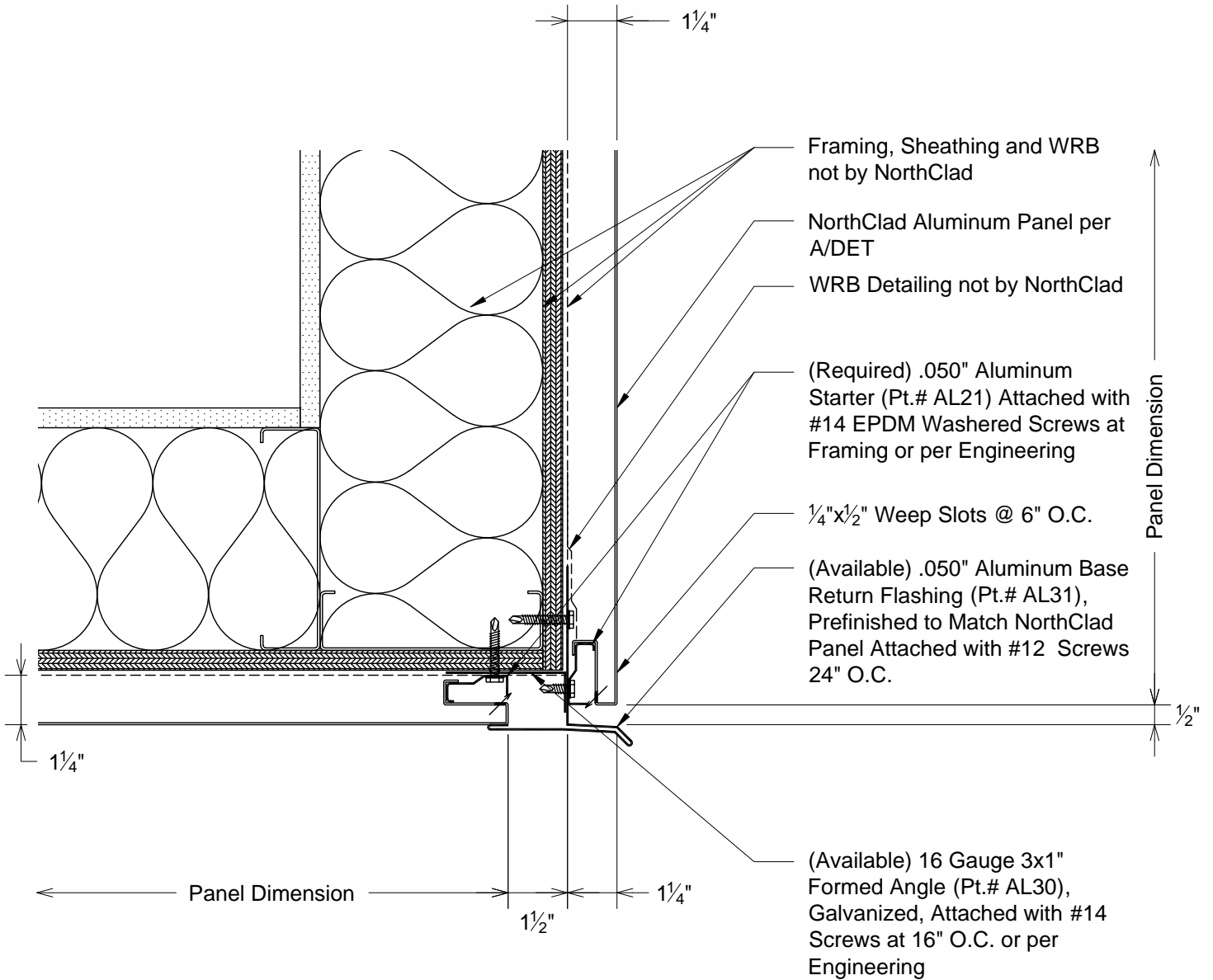
NO.	DESCRIPTION	DATE	INIT.
1	Design	10/31/2014	M.E.
2			
3			
4			
5			
6			
7			
8			
9			
10			

Project

NorthClad AL Panel Standard Details

Insulation Inside the Stud Cavity

Sheet Title	DET
Scale	3" = 1'-0"
Job Number	
Sheet	DET N2
APPROVED	



P1 Section - Fascia to Soffit
DET



11831 BEVERLY PARK RD. BUILDING C, EVERETT, WA 98204
* PHONE: 425.740.3702 * FAX: 425.740.3701 *
www.northclad.com

This document is property of NorthClad and should not be used, duplicated or modified without the express written consent. Copyright © 2010 NorthClad All Rights Reserved

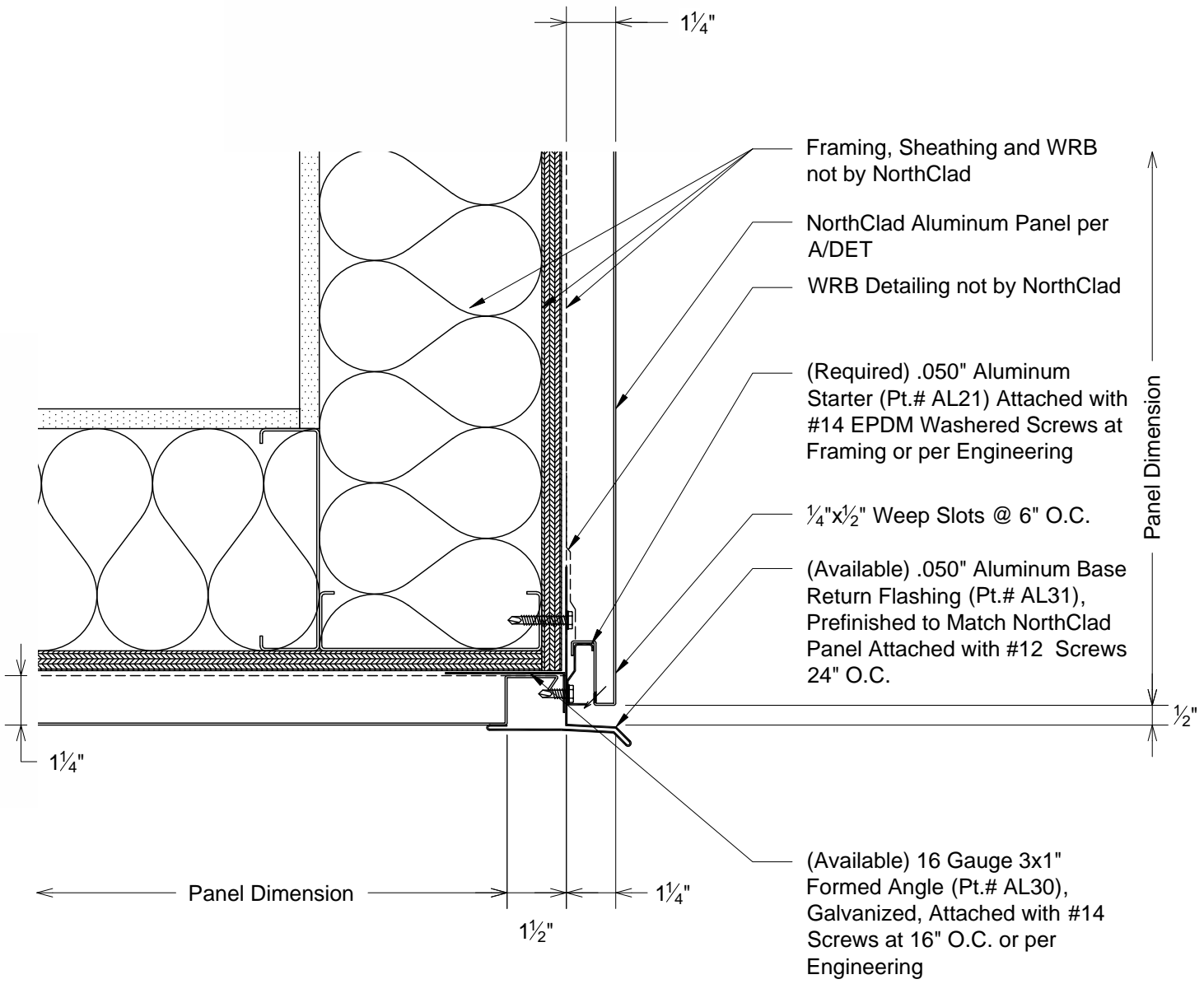
NO.	DESCRIPTION	DATE	INIT.
1	Design	10/31/2014	M.E.
2			
3			
4			
5			
6			
7			
8			
9			
10			

Project

NorthClad AL Panel Standard Details

Insulation Inside the Stud Cavity

Sheet Title	DET
Scale	3" = 1'-0"
Job Number	
Sheet	DET P1
APPROVED	



P2 Section - Fascia to Soffit
DET



11831 BEVERLY PARK RD. BUILDING C, EVERETT, WA 98204
* PHONE: 425.740.3702 * FAX: 425.740.3701 *
www.northclad.com

This document is property of NorthClad and should not be used, duplicated or modified without the express written consent. Copyright © 2010 NorthClad All Rights Reserved

NO.	DESCRIPTION	DATE	INIT.
1	Design	10/31/2014	M.E.
2			
3			
4			
5			
6			
7			
8			
9			
10			

Project

NorthClad AL Panel Standard Details

Insulation Inside the Stud Cavity

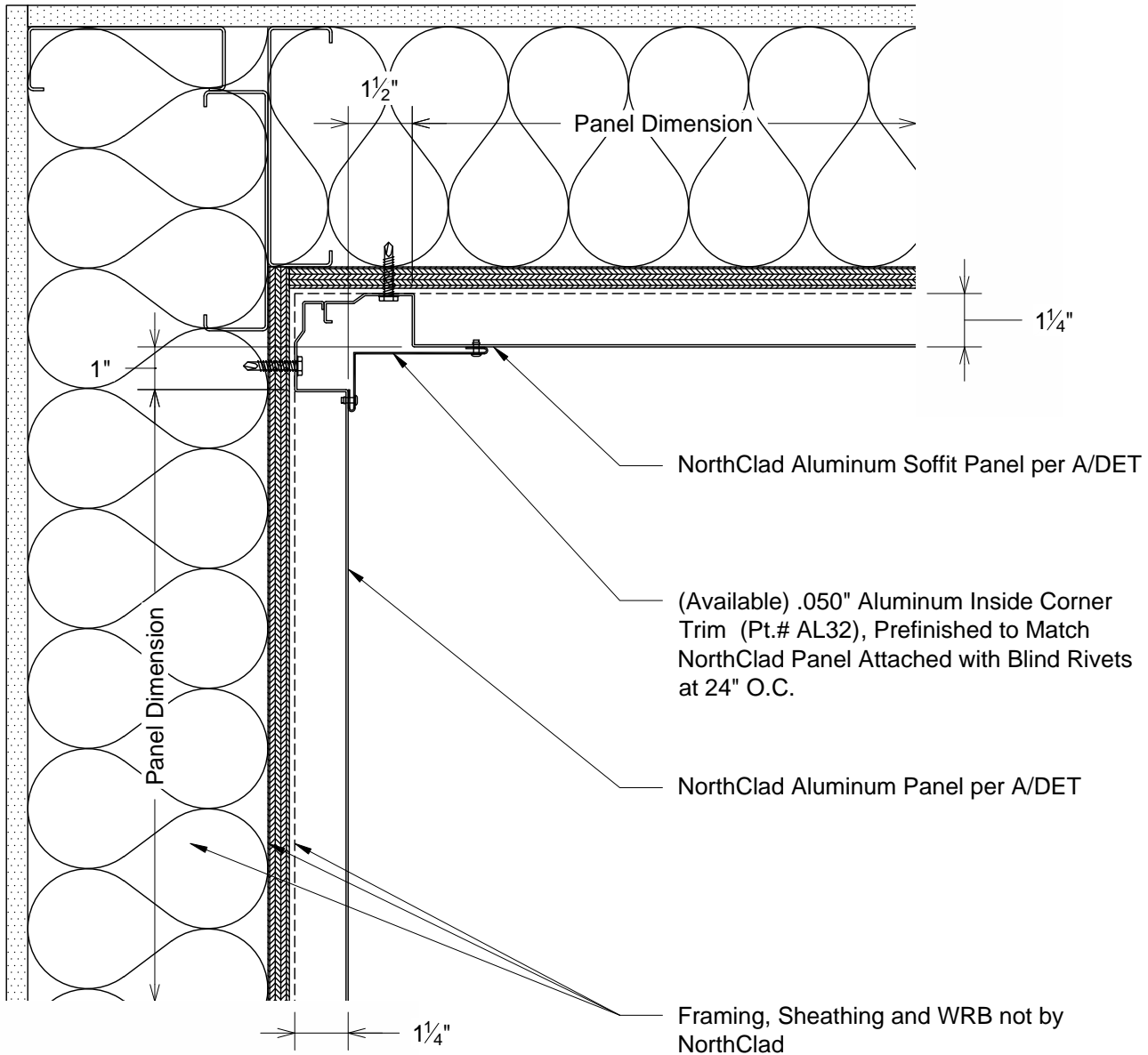
Sheet Title **DET**

Scale **3" = 1'-0"**

Job Number

Sheet **DET P2**

APPROVED



Q1 Section - Soffit at Top of Wall
DET



11831 BEVERLY PARK RD. BUILDING C, EVERETT, WA 98204
* PHONE: 425.740.3702 * FAX: 425.740.3701 *
www.northclad.com

This document is property of NorthClad and should not be used, duplicated or modified without the express written consent. Copyright © 2010 NorthClad All Rights Reserved

NO.	DESCRIPTION	DATE	INIT.
1	Design	10/31/2014	M E
2			
3			
4			
5			
6			
7			
8			
9			
10			

Project

NorthClad AL Panel Standard Details

Insulation Inside the Stud Cavity

Sheet Title **DET**

Scale **3" = 1'-0"**

Job Number

Sheet **DET Q1**

APPROVED