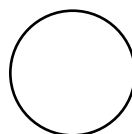
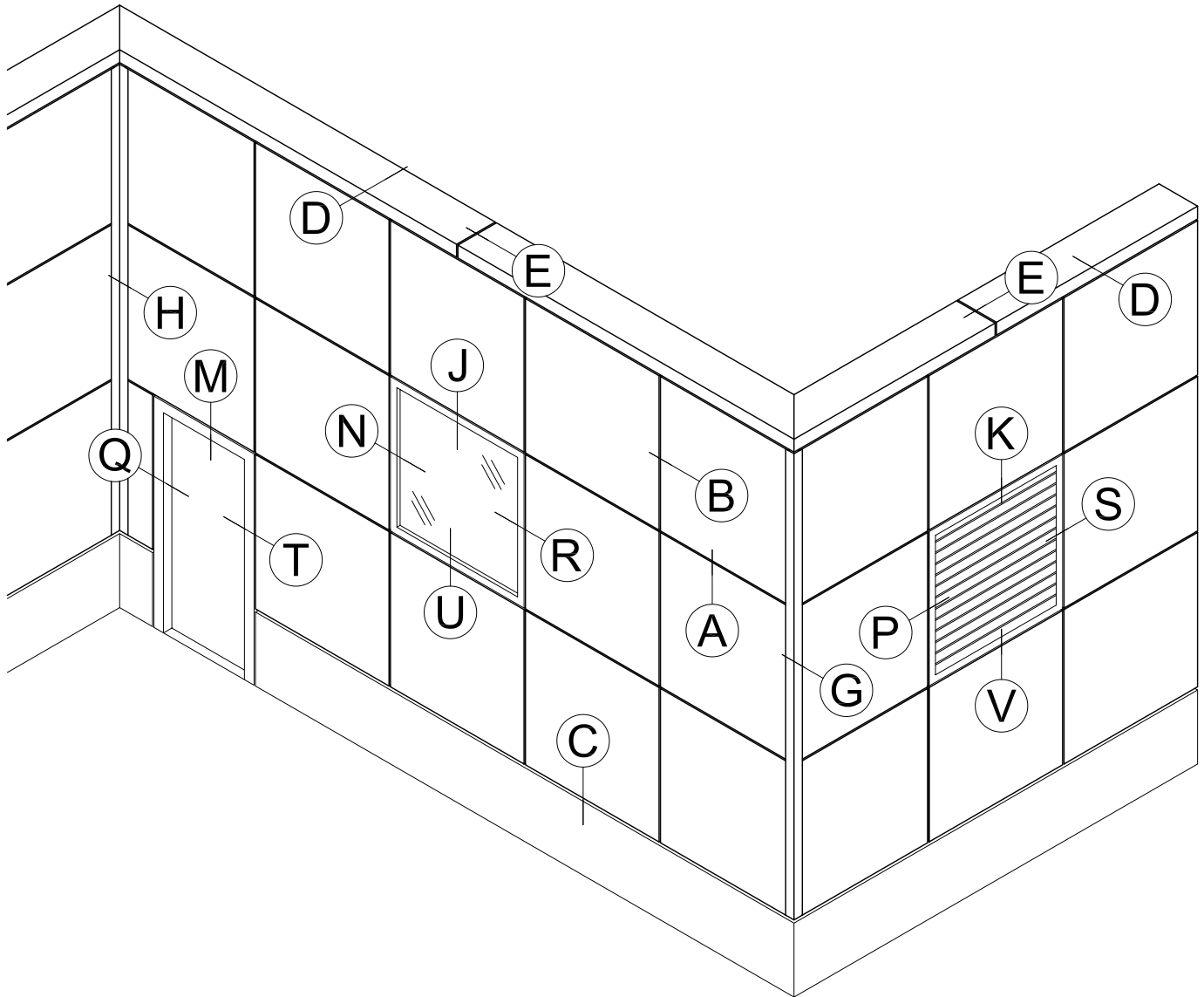


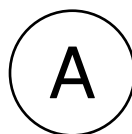
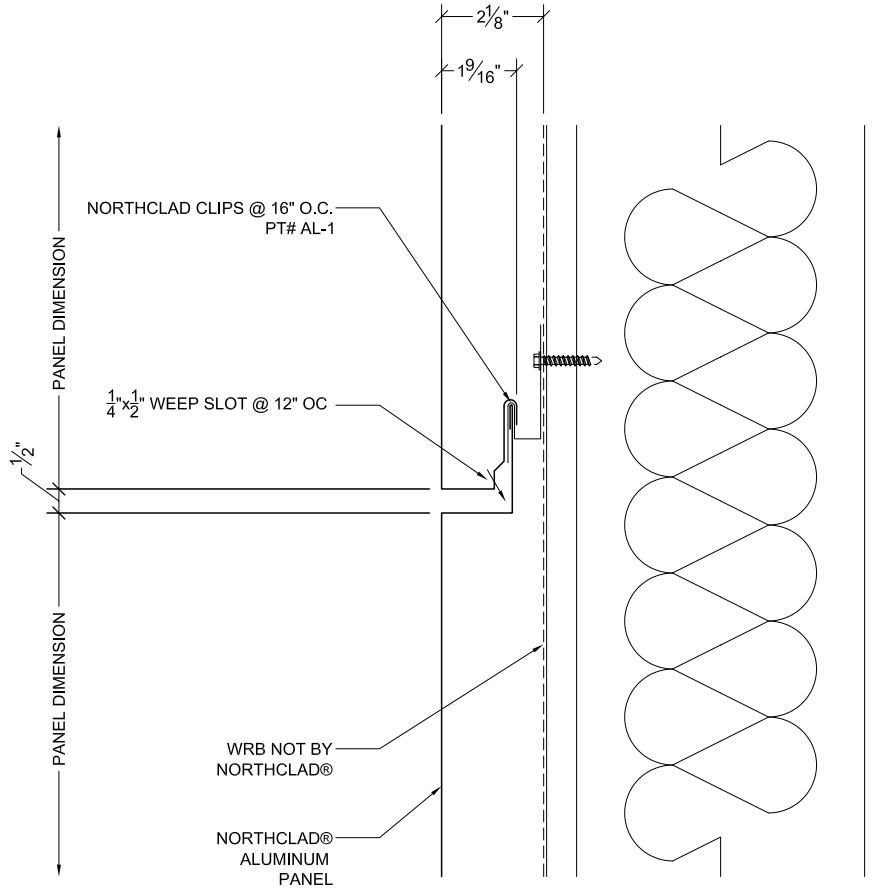
Details	2
AL Detail Reference	2
Base Detail	5
Coping	6
Coping Joint	7
Door Head	12
Door Jamb Left	15
Door Jamb Right	18
Horizontal Joint	3
Inside Corner	9
Louver Head	11
Louver Jamb Left	14
Louver Jamb Right	17
Louver Sill	20
Outside Corner	8
Vertical Joint	4
Window Head	10
Window Jamb Left	13
Window Jamb Right	16
Window Sill	19

The AL Series



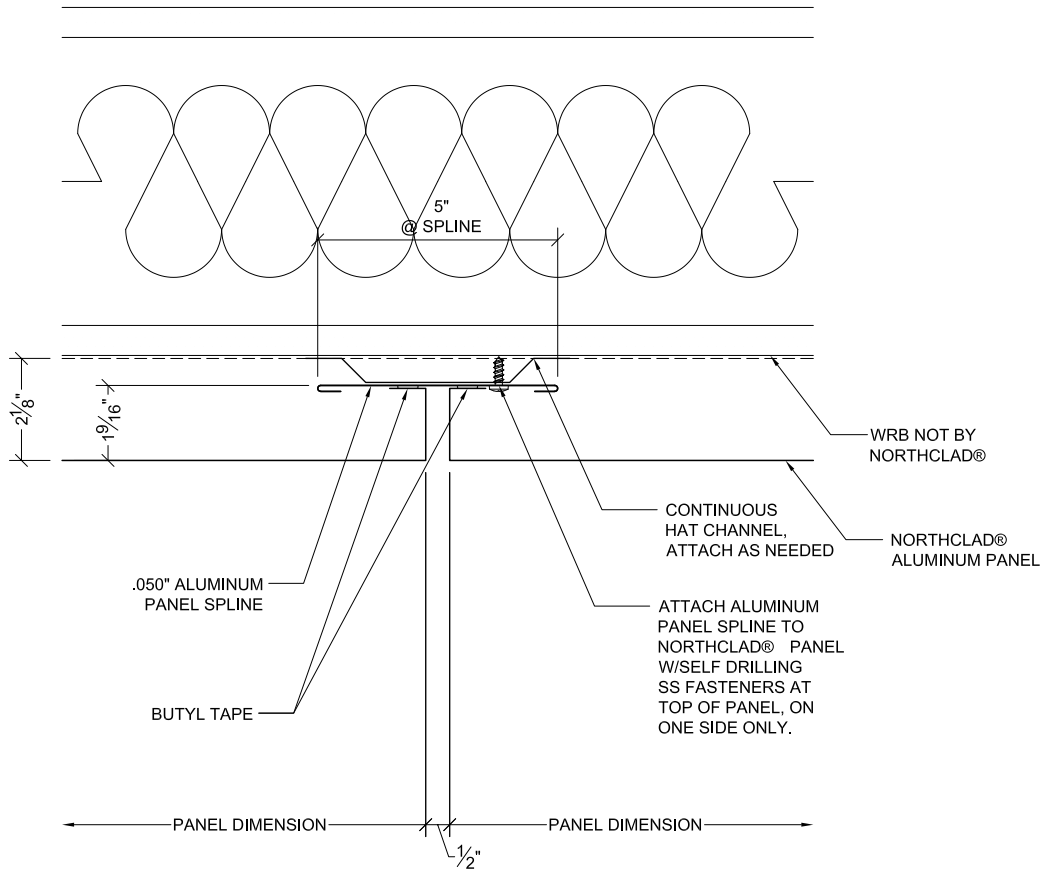
AL Detail Reference

Scale: NTS



Horizontal Joint

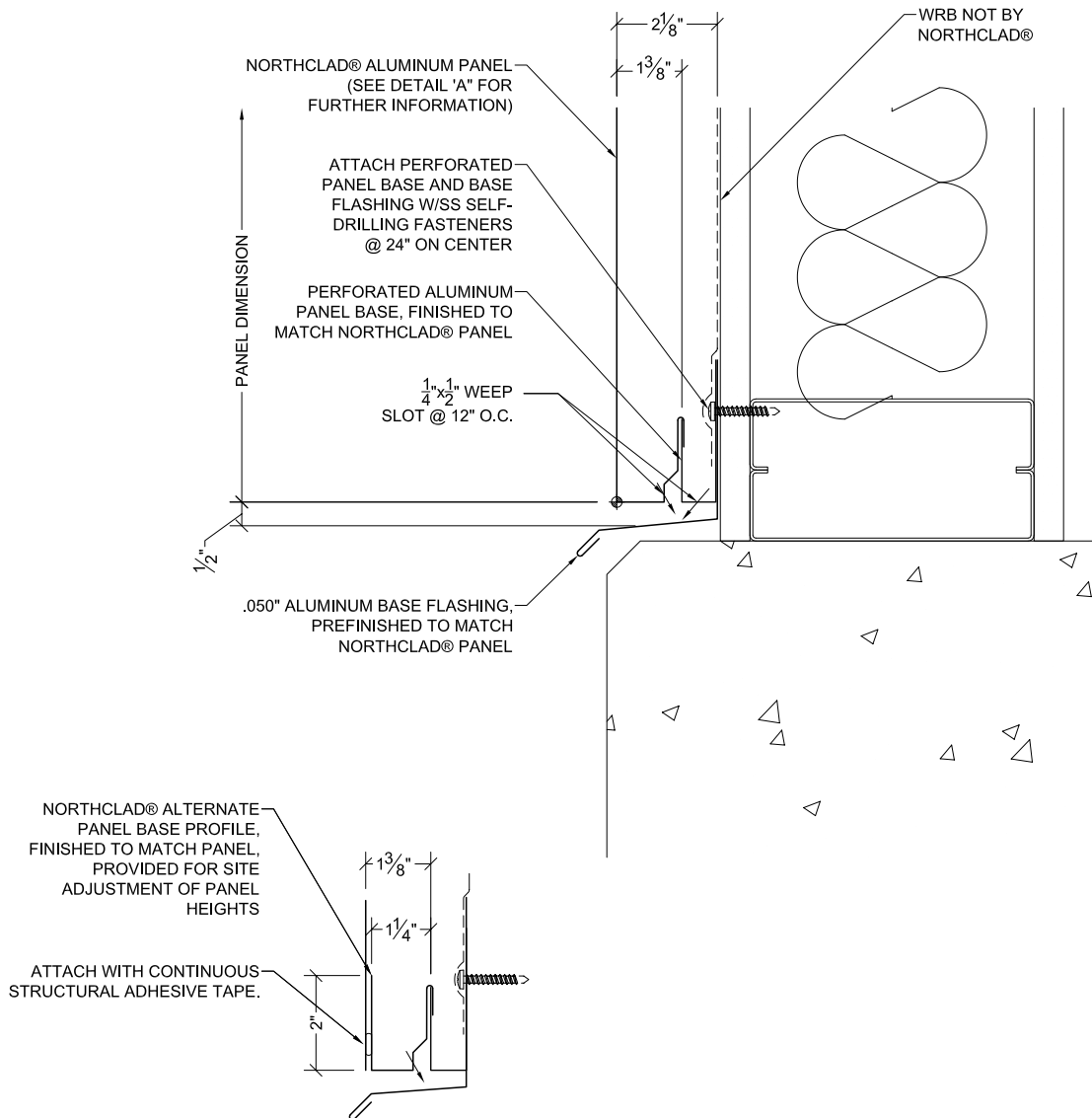
Scale: 3" = 1' - 0"



B

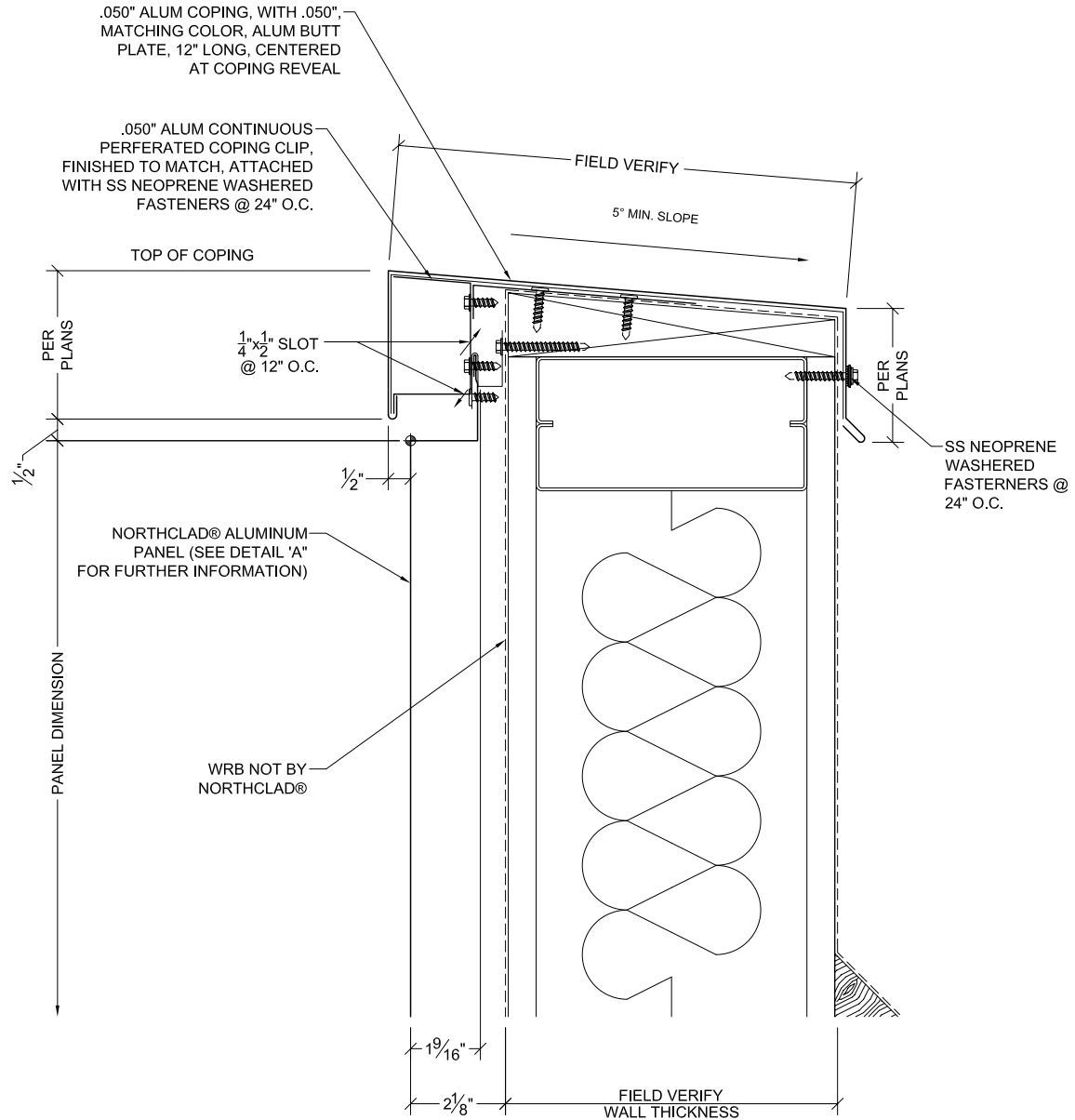
Vertical Joint

Scale: 3" = 1' - 0"



C **Alternate Sill**
Scale: 3" = 1' - 0"

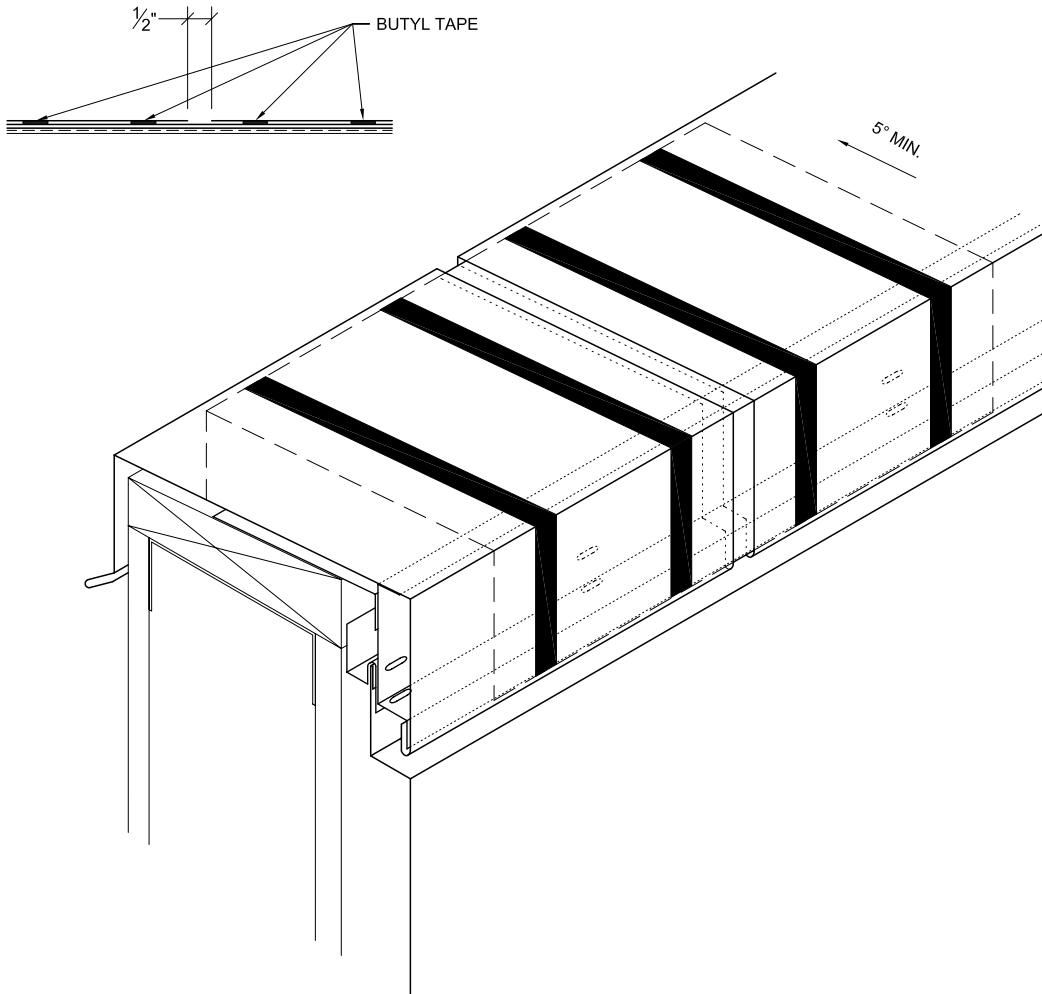
C **Base Detail**
Scale: 3" = 1' - 0"



D

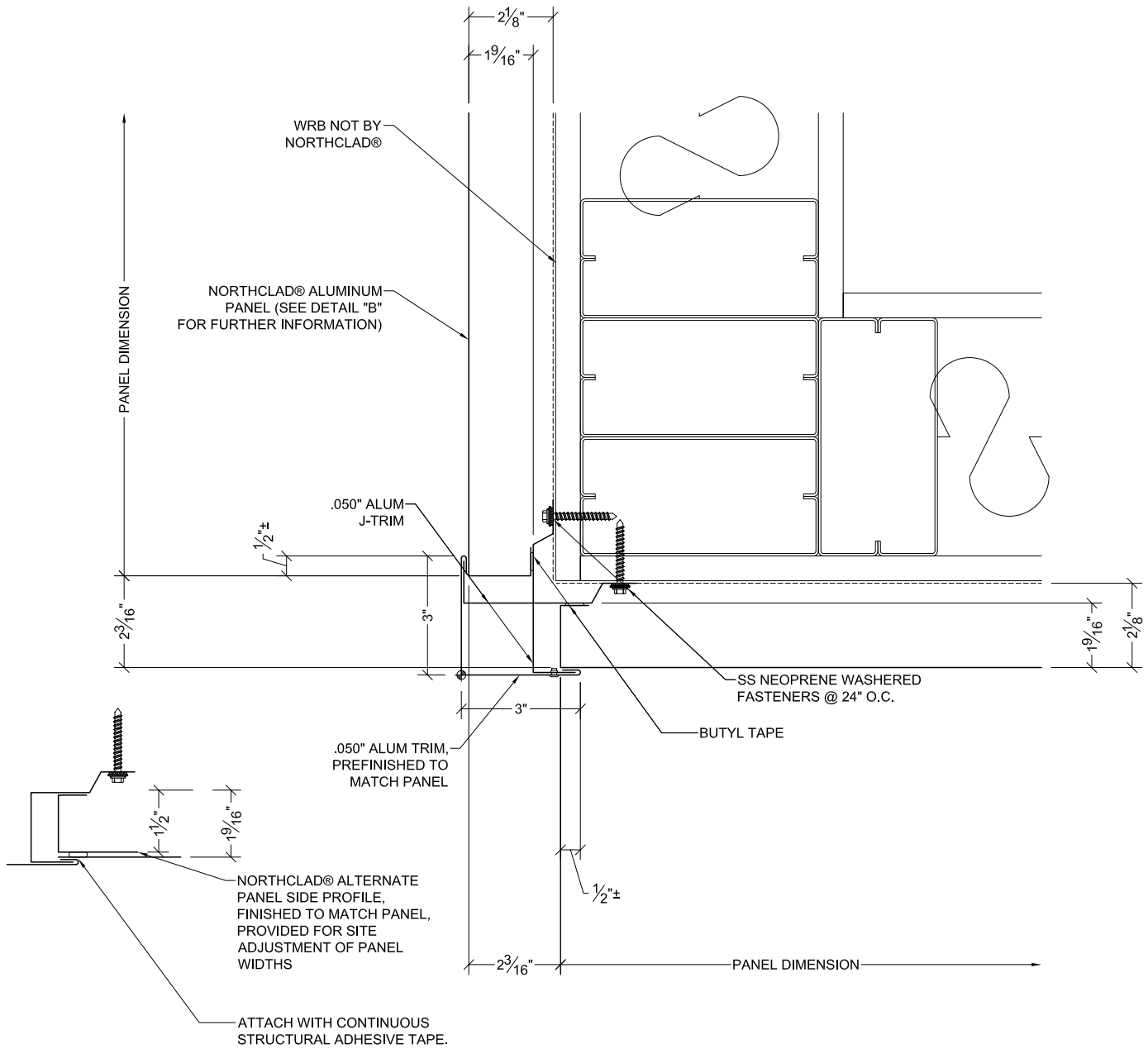
Coping

Scale: 3" = 1' - 0"



Coping Joint

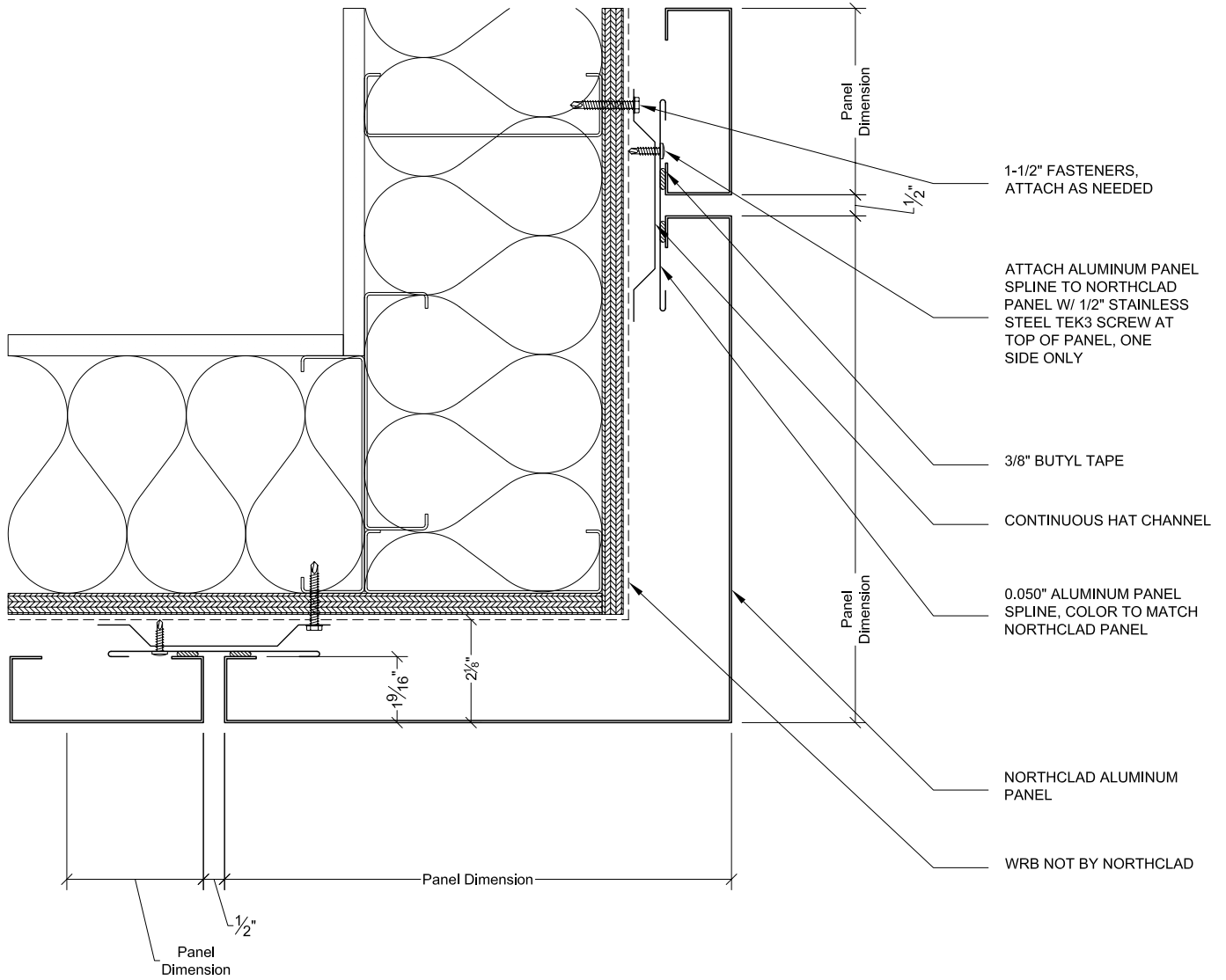
Scale: 3" = 1' - 0"



G Alternate O.S.C.
Scale: 3" = 1' - 0"

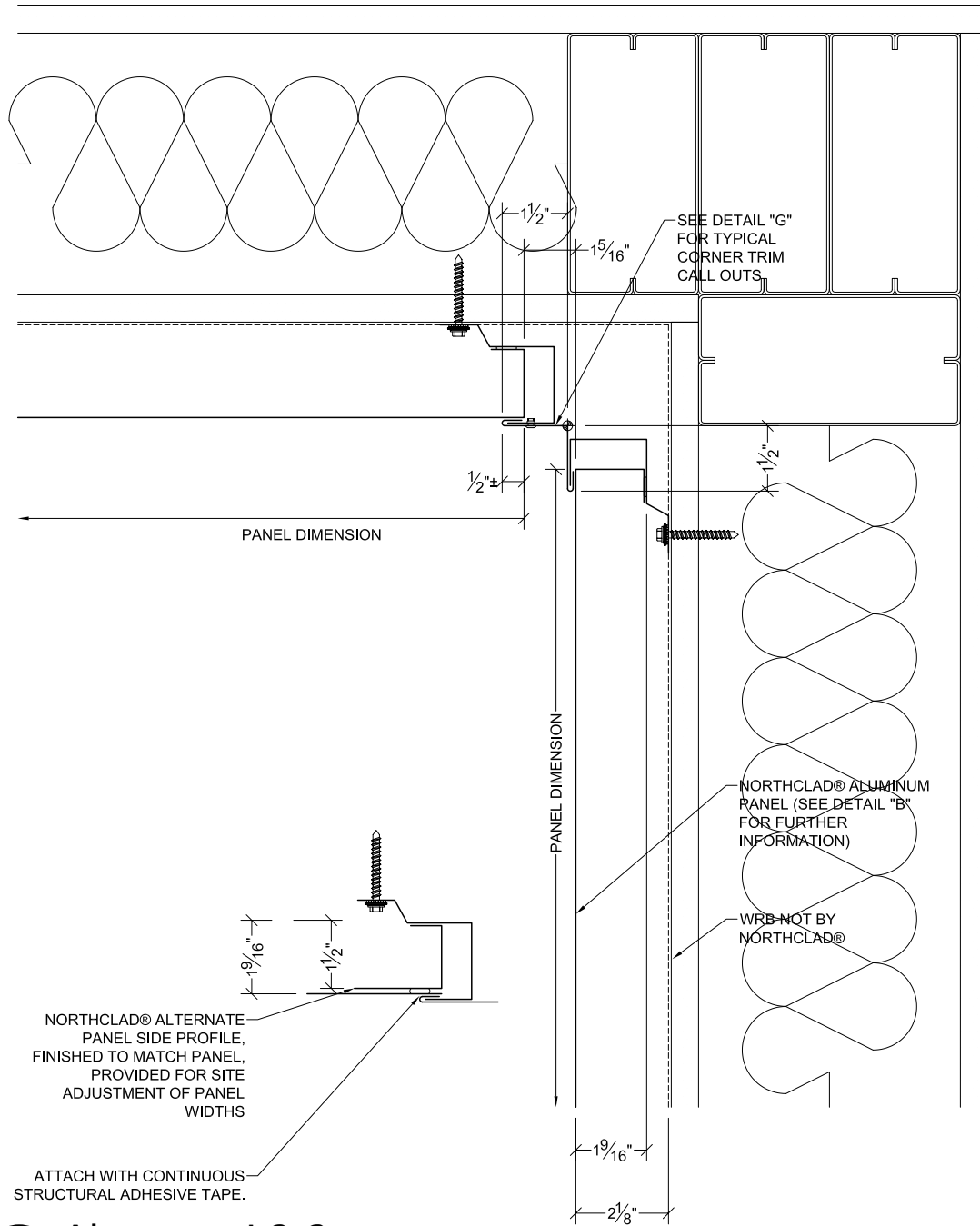
G Outside Corner
Scale: 3" = 1' - 0"

The AL Series



Outside Corner Alt.

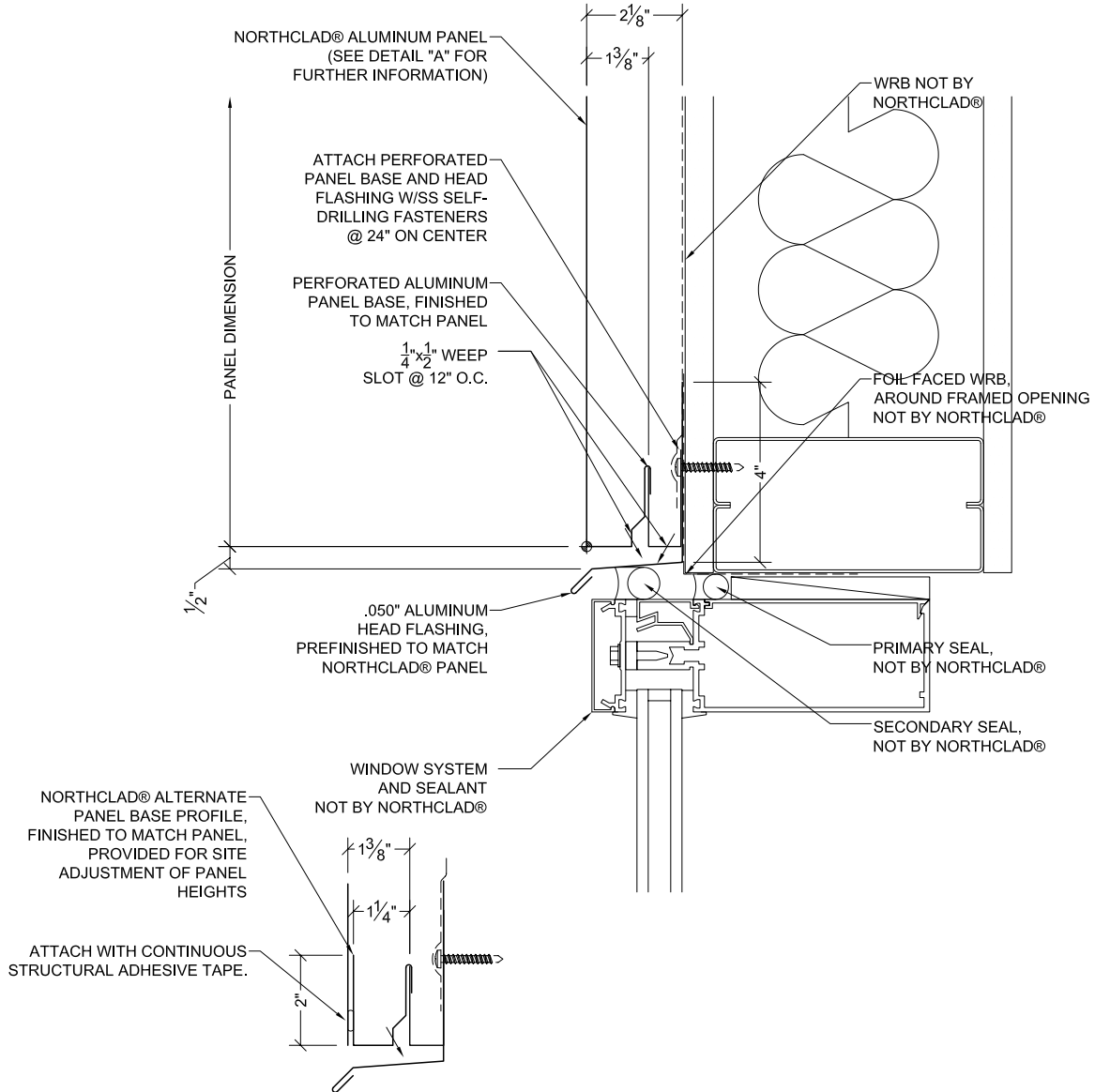
Scale: 3" = 1' - 0"



H Alternate I.S.C.
Scale: 3" = 1' - 0"

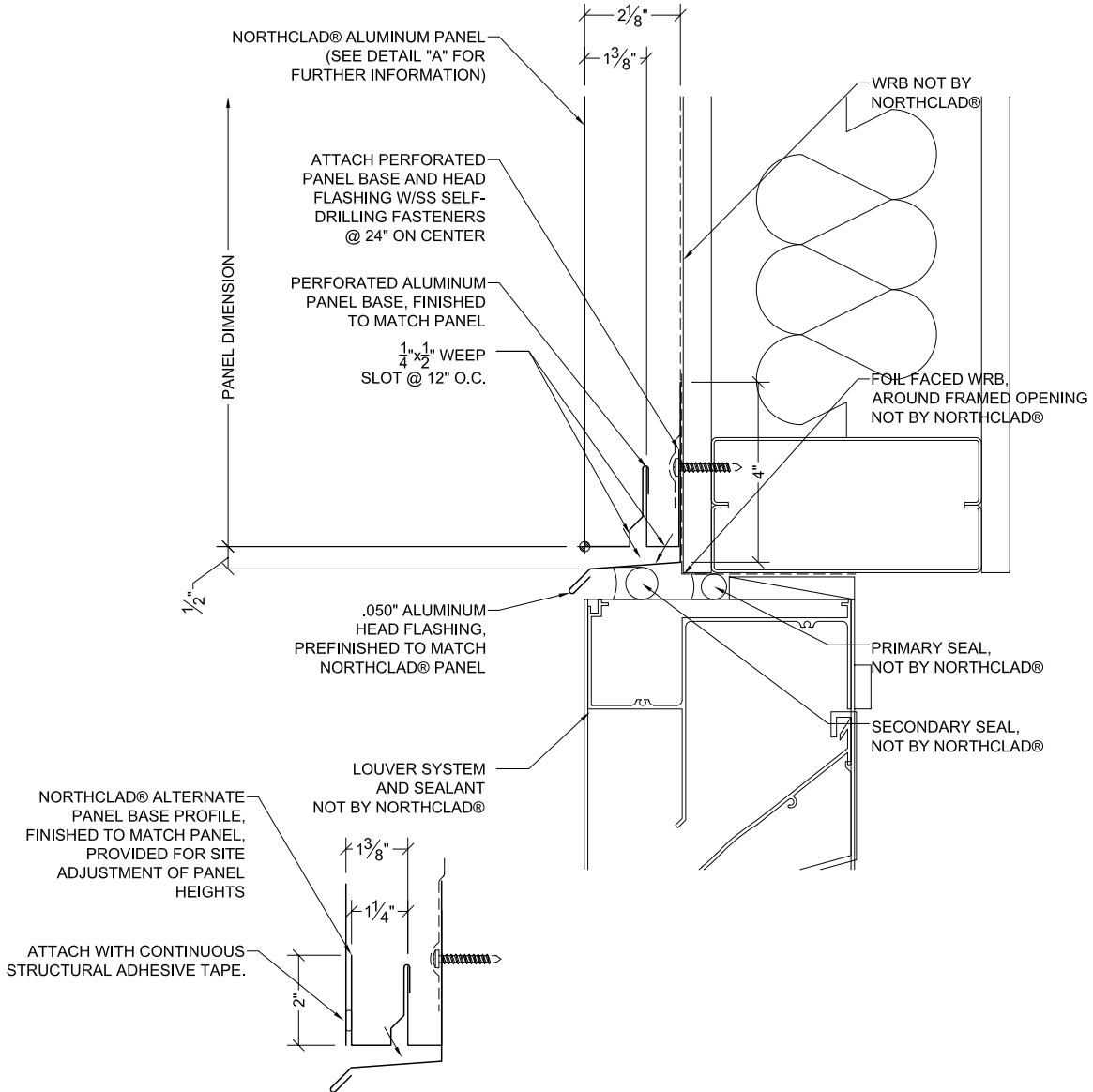
H Inside Corner
Scale: 3" = 1' - 0"

The AL Series



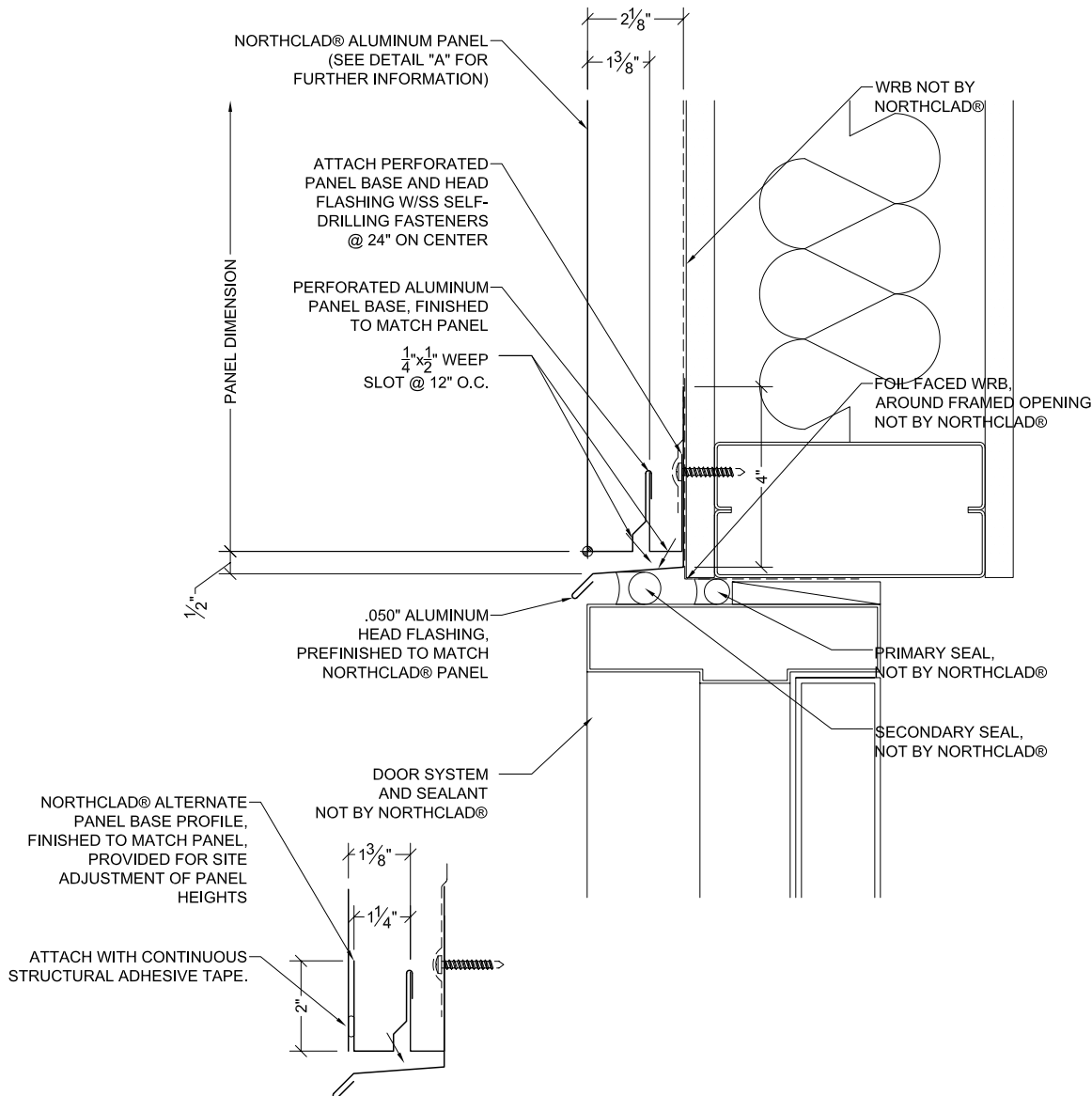
J **Alternate W.H.**
Scale: 3" = 1' - 0"

J **Window Head**
Scale: 3" = 1' - 0"



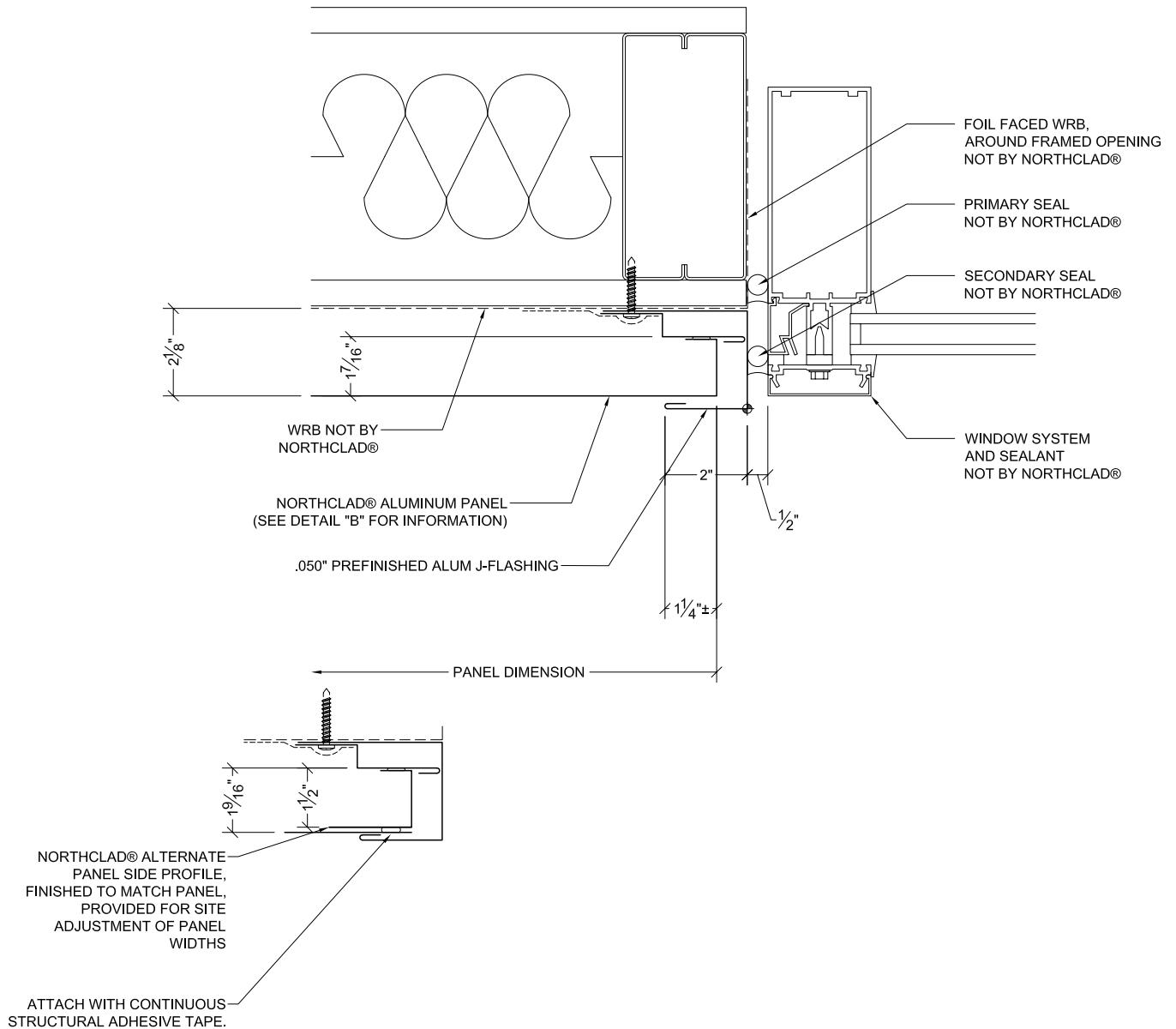
K **Alternate L.H.**
Scale: 3" = 1' - 0"

K **Louver Head**
Scale: 3" = 1' - 0"



M **Alternate D.H.**
Scale: 3" = 1' - 0"

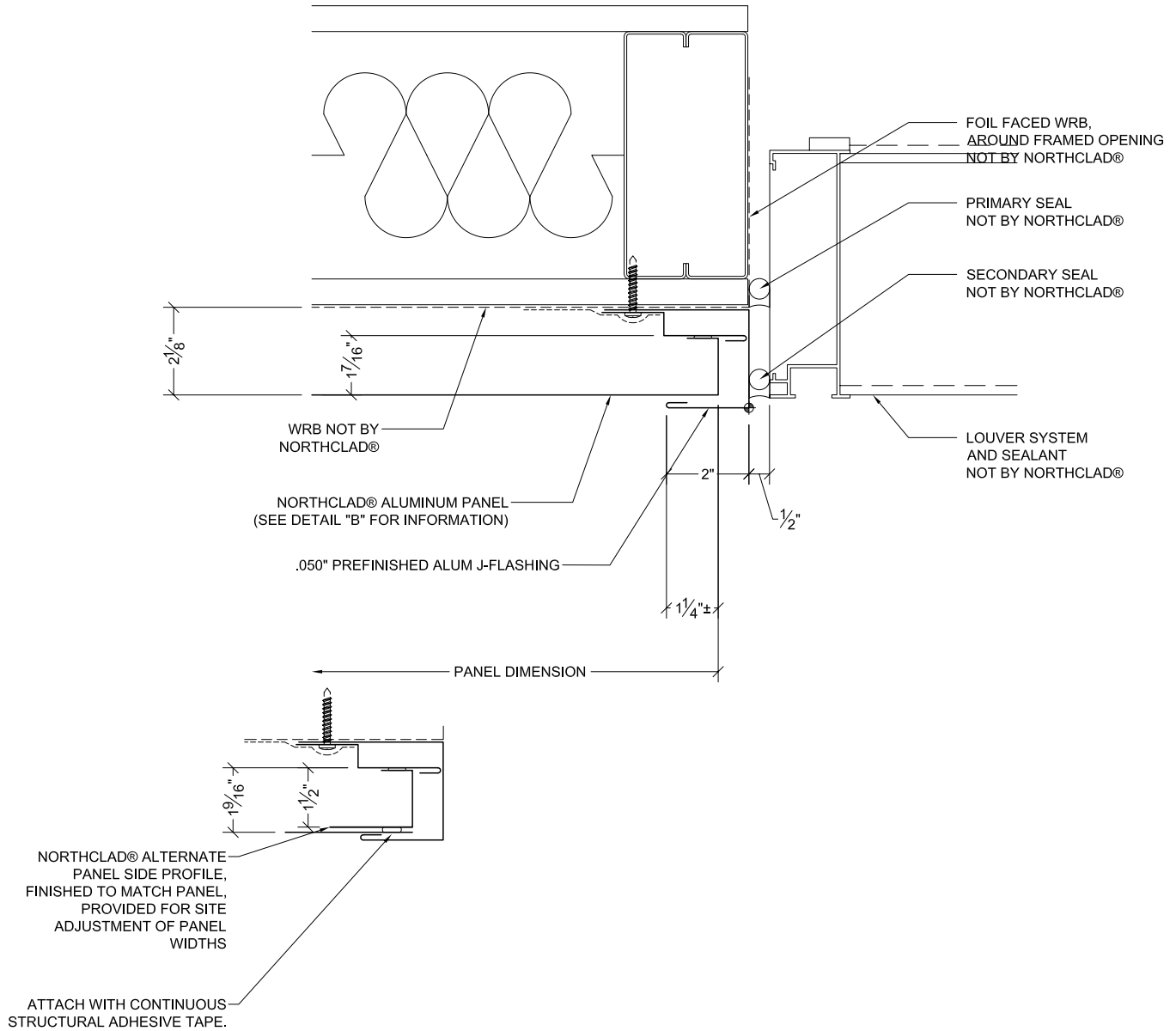
M **Door Head**
Scale: 3" = 1' - 0"



N **Alternate W.J.**
Scale: 3" = 1' - 0"

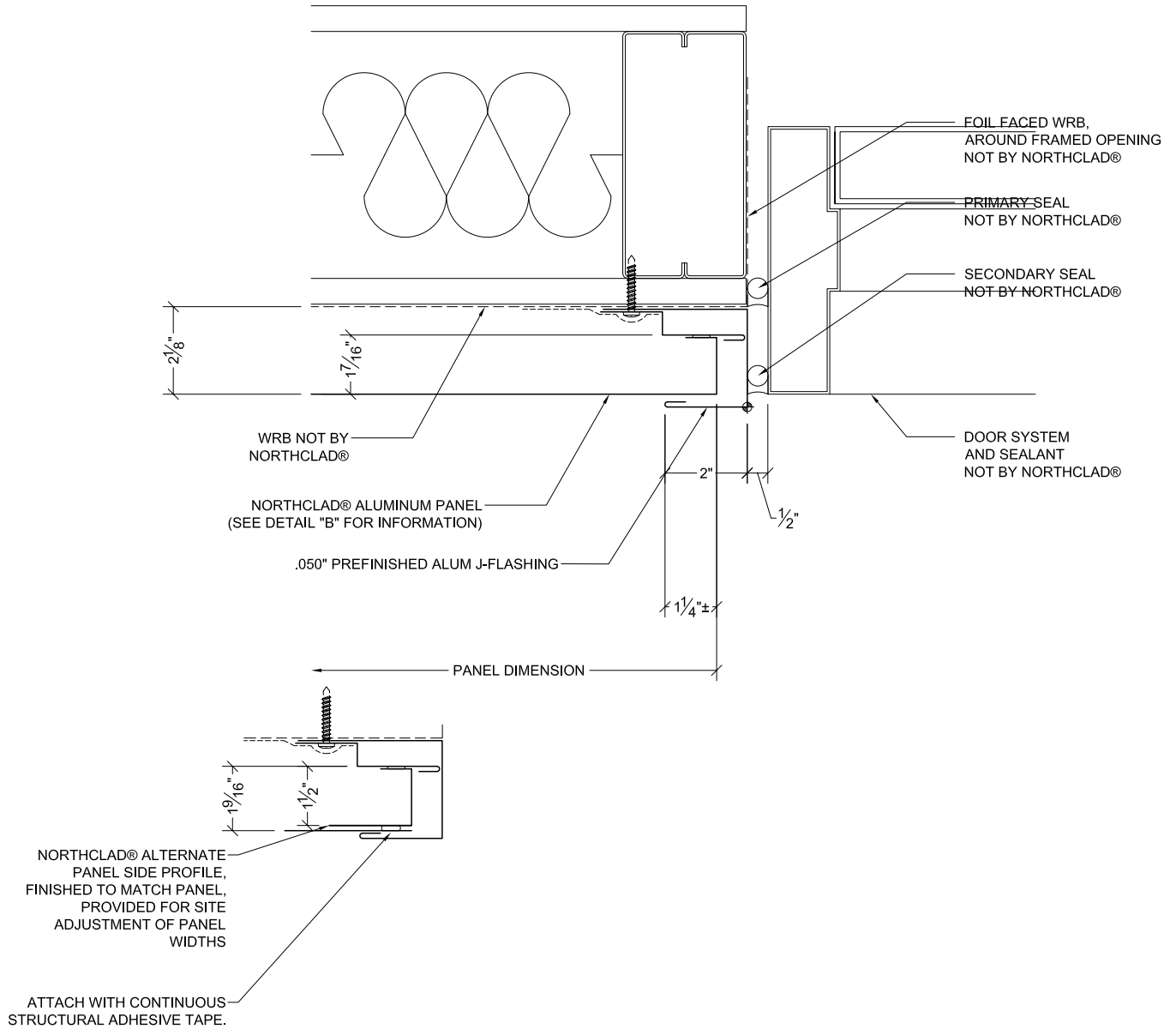
N **Window Jamb Left**
Scale: 3" = 1' - 0"

The AL Series



P **Alternate L.J.**
Scale: 3" = 1' - 0"

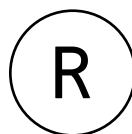
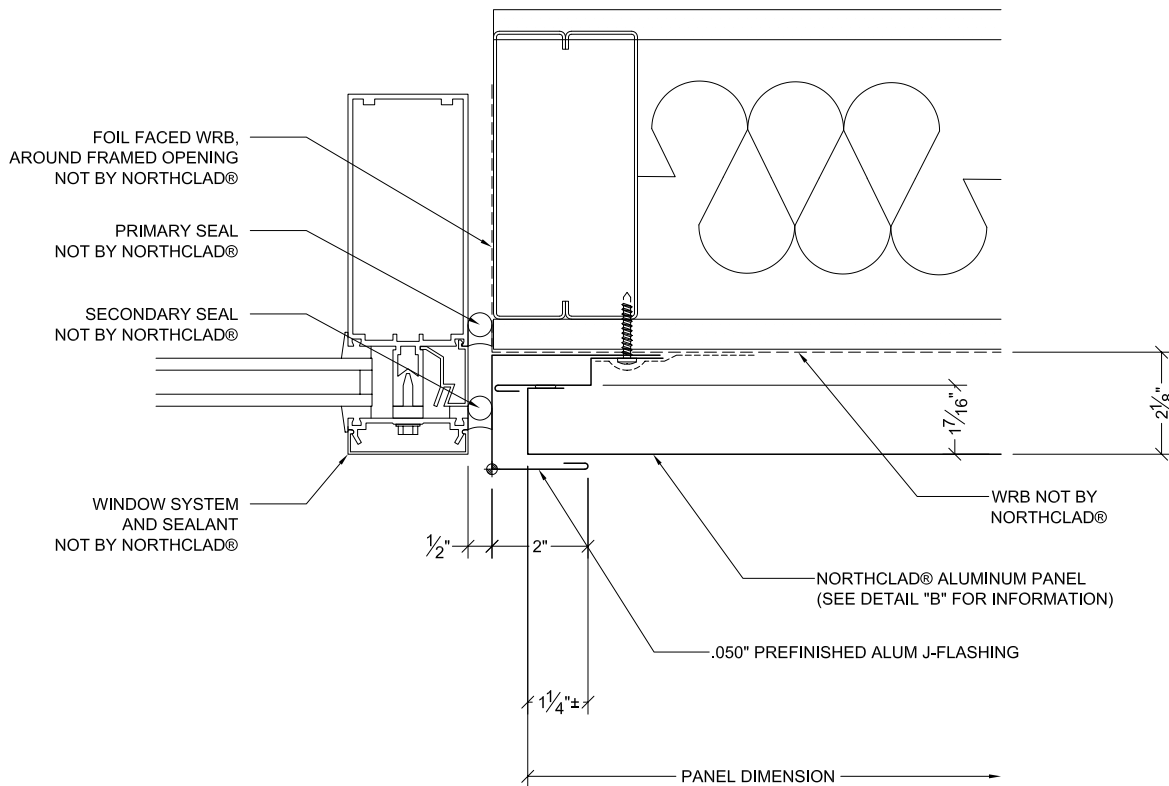
P **Louver Jamb Left**
Scale: 3" = 1' - 0"



Q Alternate D.J.
Scale: 3" = 1' - 0"

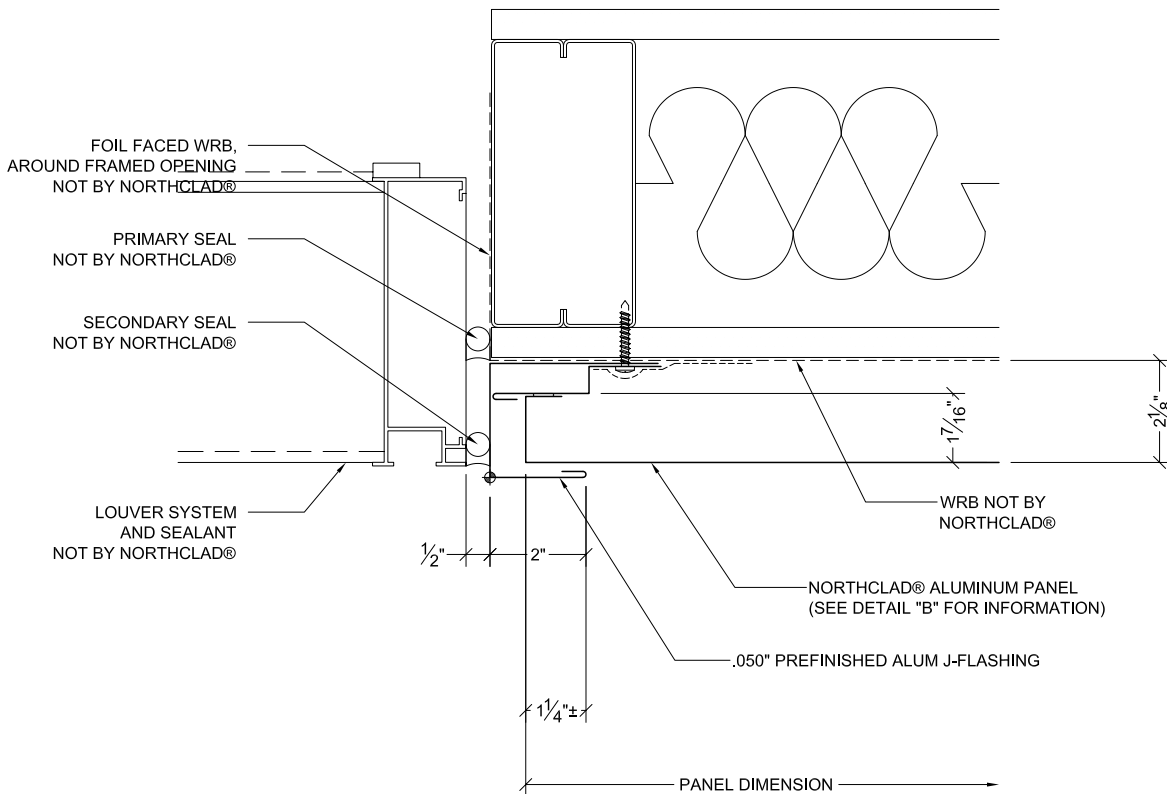
Q Door Jamb Left
Scale: 3" = 1' - 0"

The AL Series



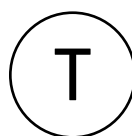
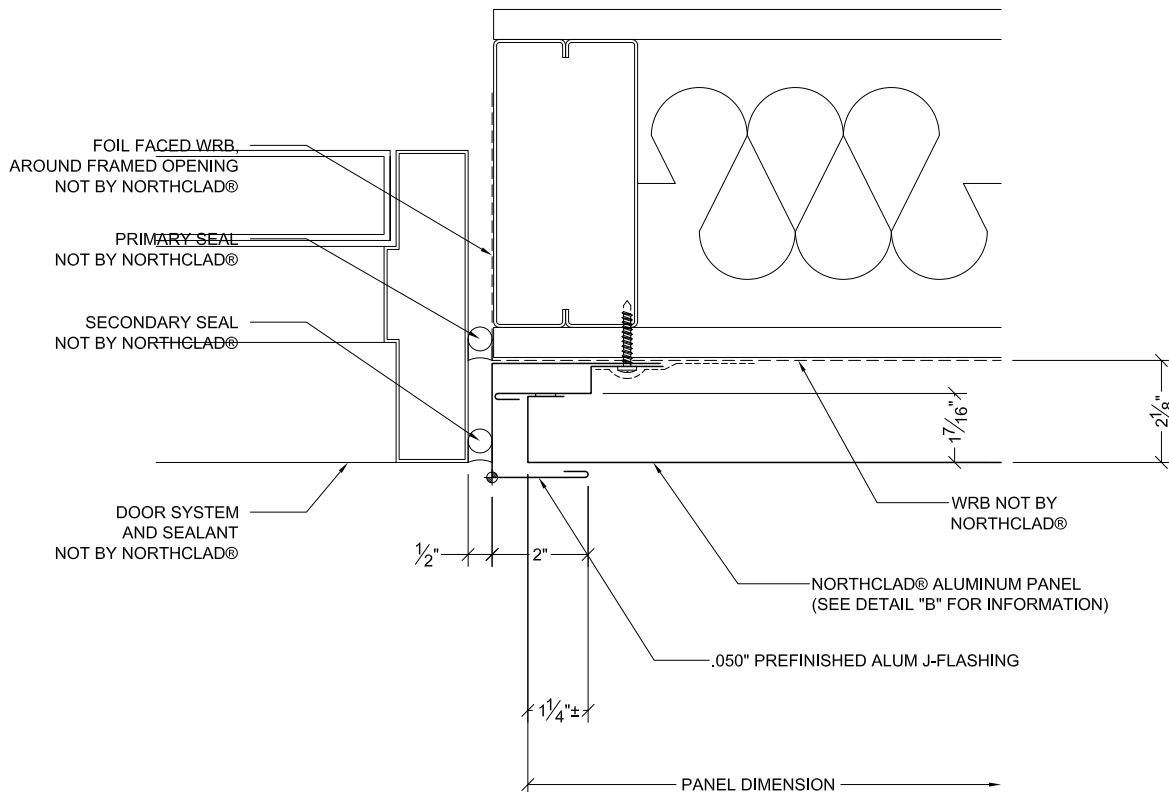
Window Jamb Right

Scale: 3" = 1' - 0"



Louver Jamb Right

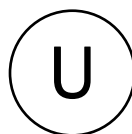
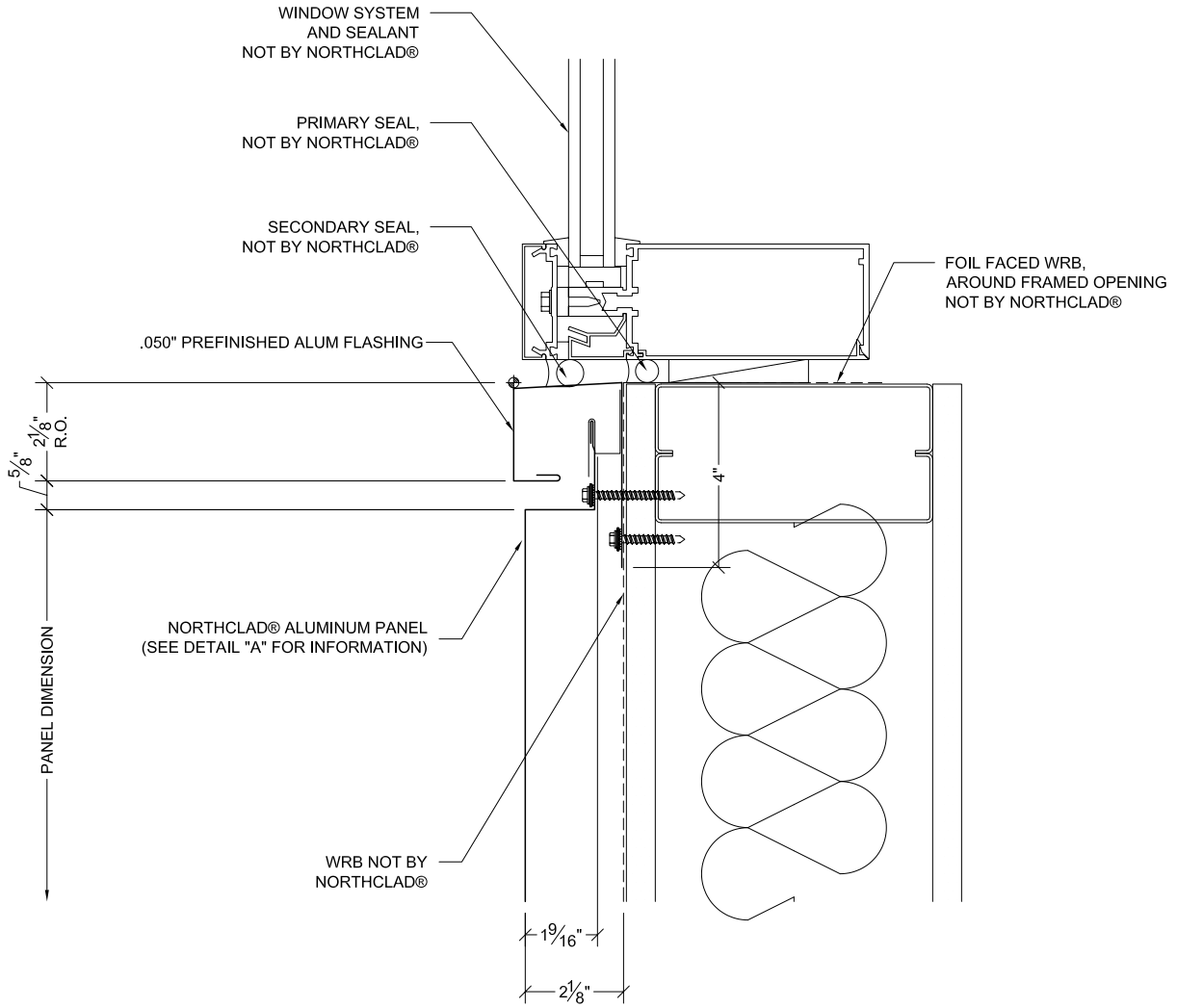
Scale: 3" = 1' - 0"



Door Jamb Right

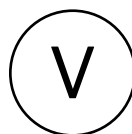
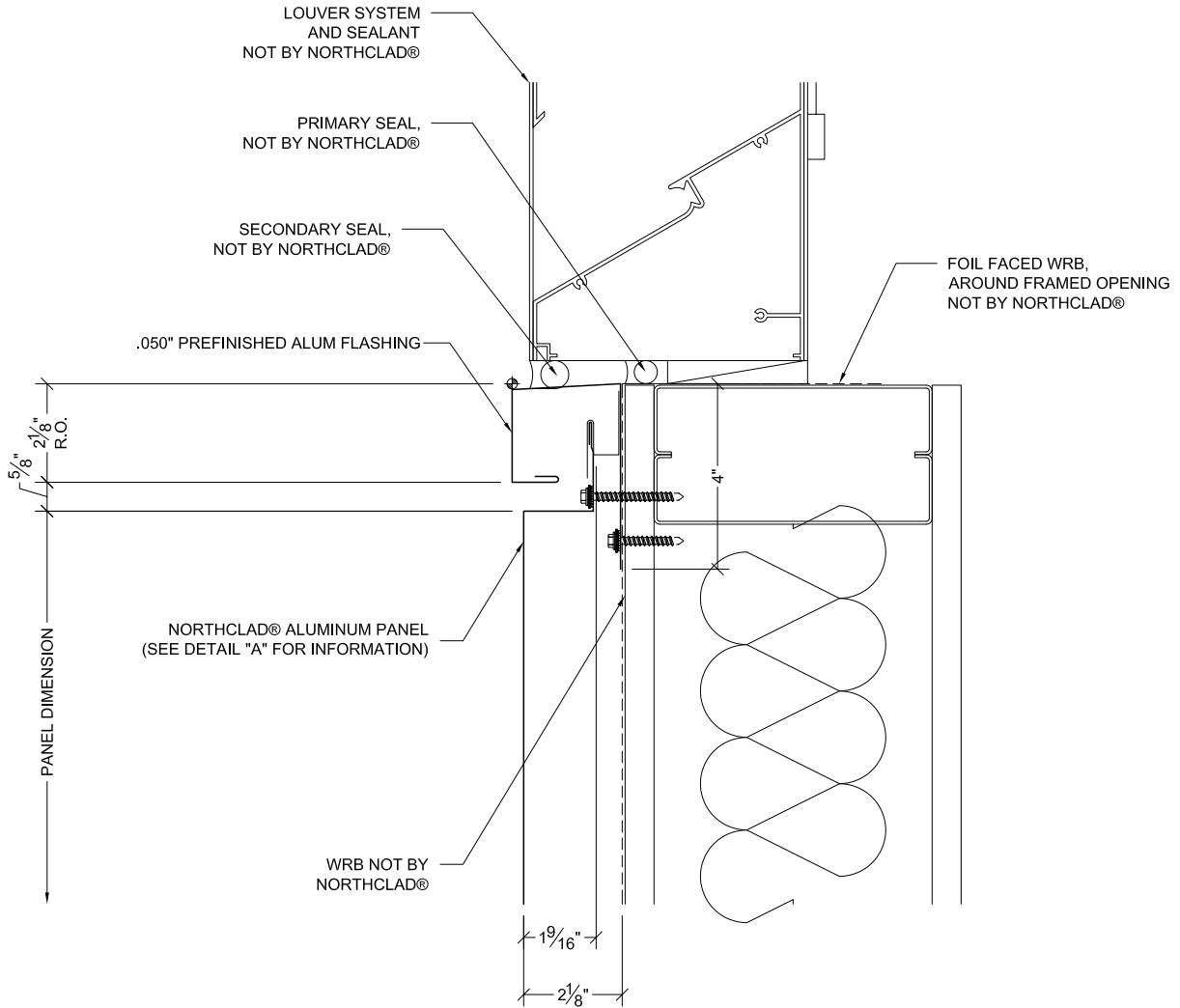
Scale: 3" = 1' - 0"

The AL Series



Window Sill

Scale: 3" = 1' - 0"



Louver Sill

Scale: 3" = 1' - 0"