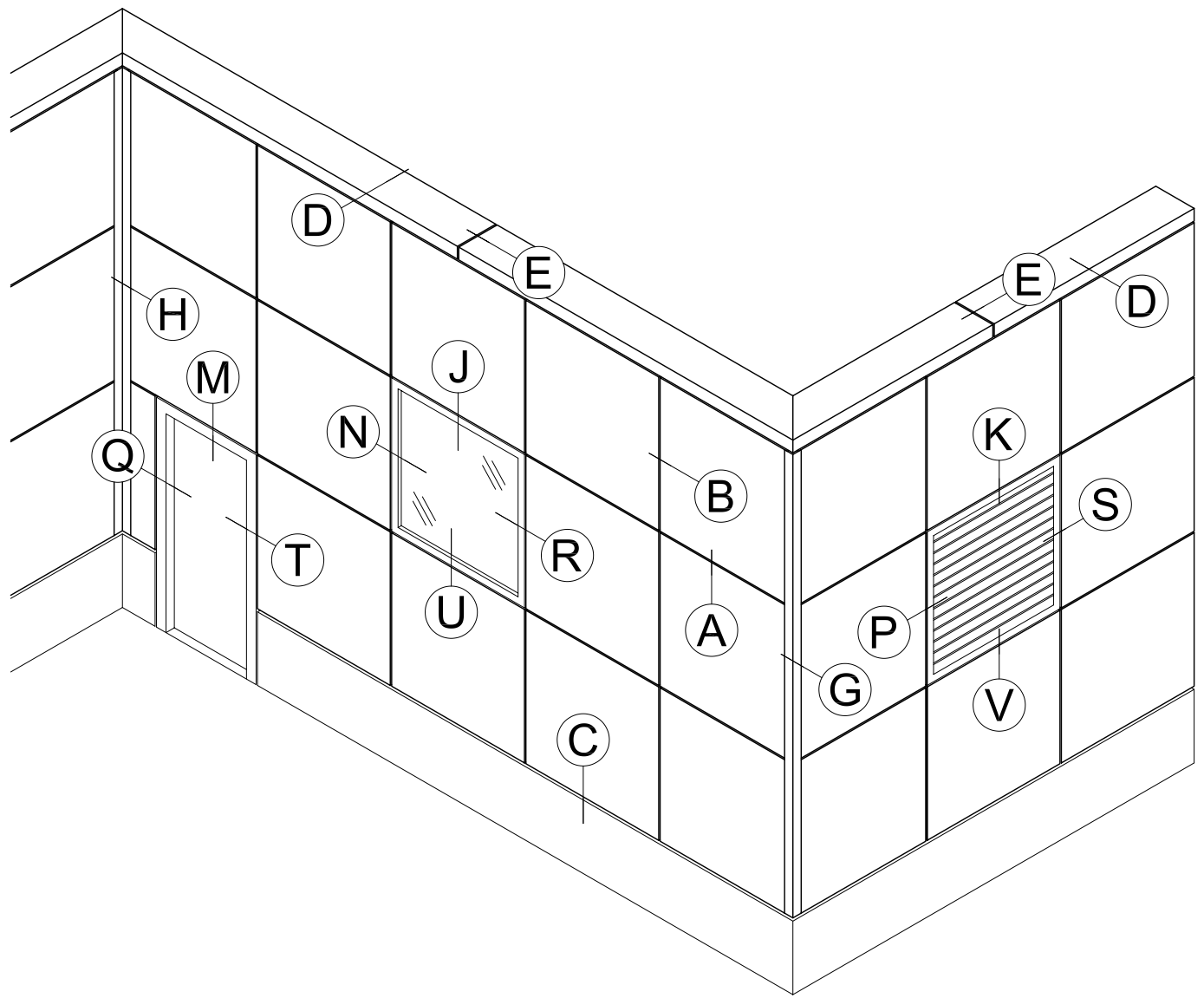


■ Contents

| | |
|---------------------------|----------|
| Details | 2 |
| Base Detail | 5 |
| Coping | 6 |
| Coping Joint | 7 |
| Door Head | 12 |
| Door Jamb Left | 15 |
| Door Jamb Right | 18 |
| Horizontal Joint | 3 |
| Inside Corner | 9 |
| Key - AL Detail Reference | 2 |
| Louver Head | 11 |
| Louver Jamb Left | 14 |
| Louver Jamb Right | 17 |
| Louver Sill | 20 |
| Outside Corner | 8 |
| Vertical Joint | 4 |
| Window Head | 10 |
| Window Jamb Left | 13 |
| Window Jamb Right | 16 |
| Window Sill | 19 |

**The AL Series
With Insulation**

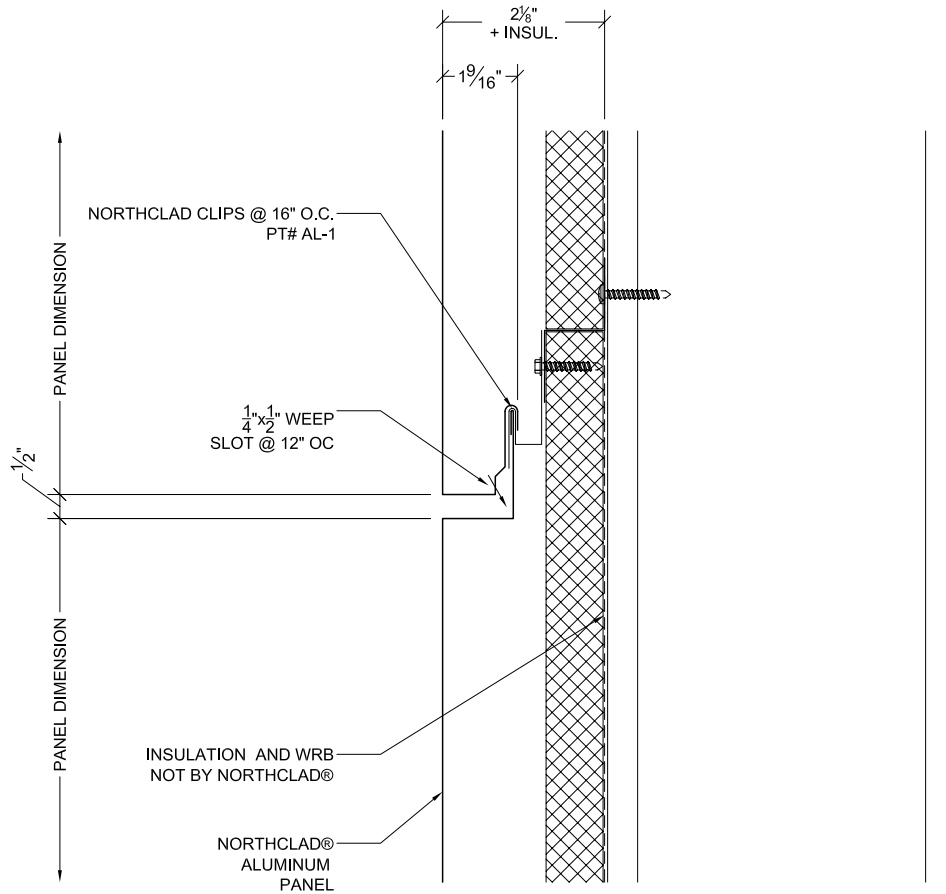


For details without exterior insulation, or to download the CAD version of this detail, please see www.northclad.com.

© 2009 NorthClad® Rainscreen Solutions
Everett, WA · (425) 487-1111

 **Key - AL Detail Reference**
Scale: NTS

The AL Series With Insulation



For details without exterior insulation, or to download the CAD version of this detail, please see www.northclad.com.

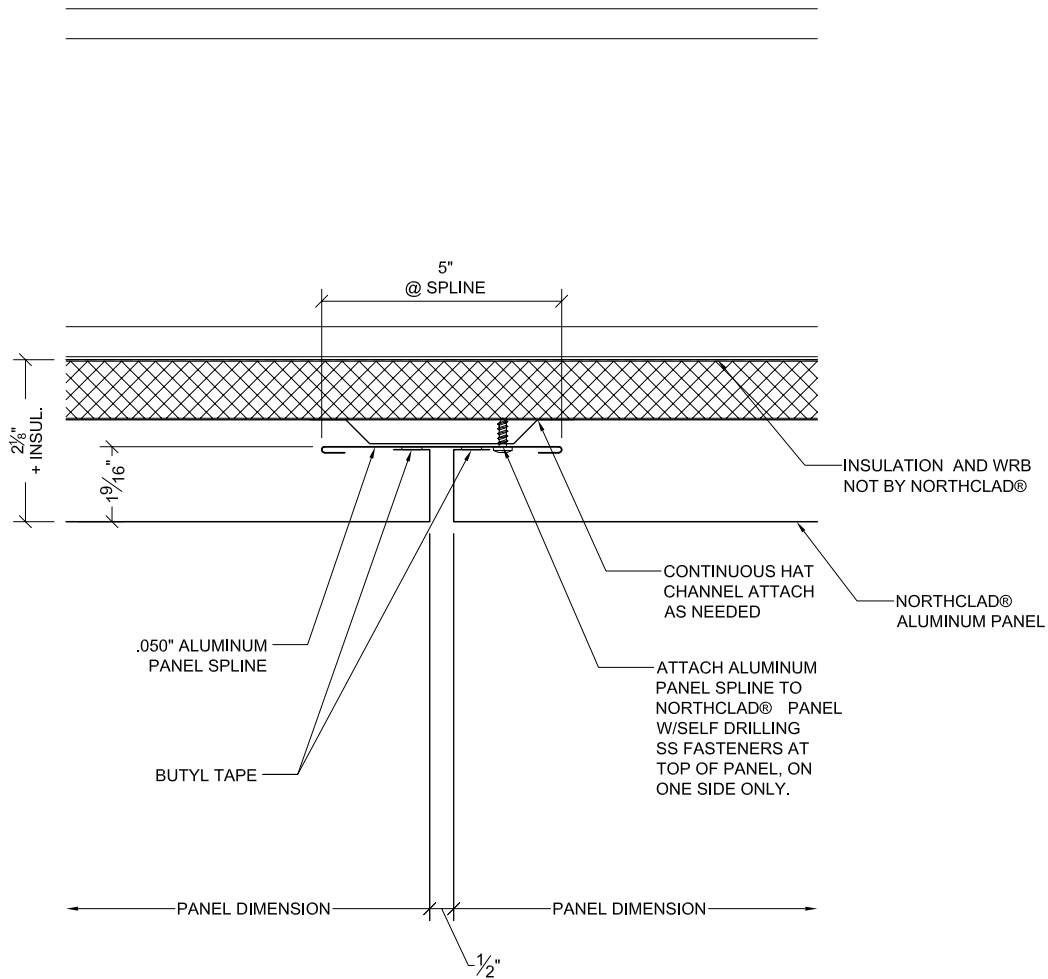


Horizontal Joint

Scale: 3" = 1' - 0"

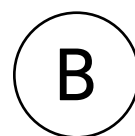
© 2009 NorthClad® Rainscreen Solutions
Everett, WA · (425) 487-1111

The AL Series With Insulation



For details without exterior insulation, or to download the CAD version of this detail, please see www.northclad.com.

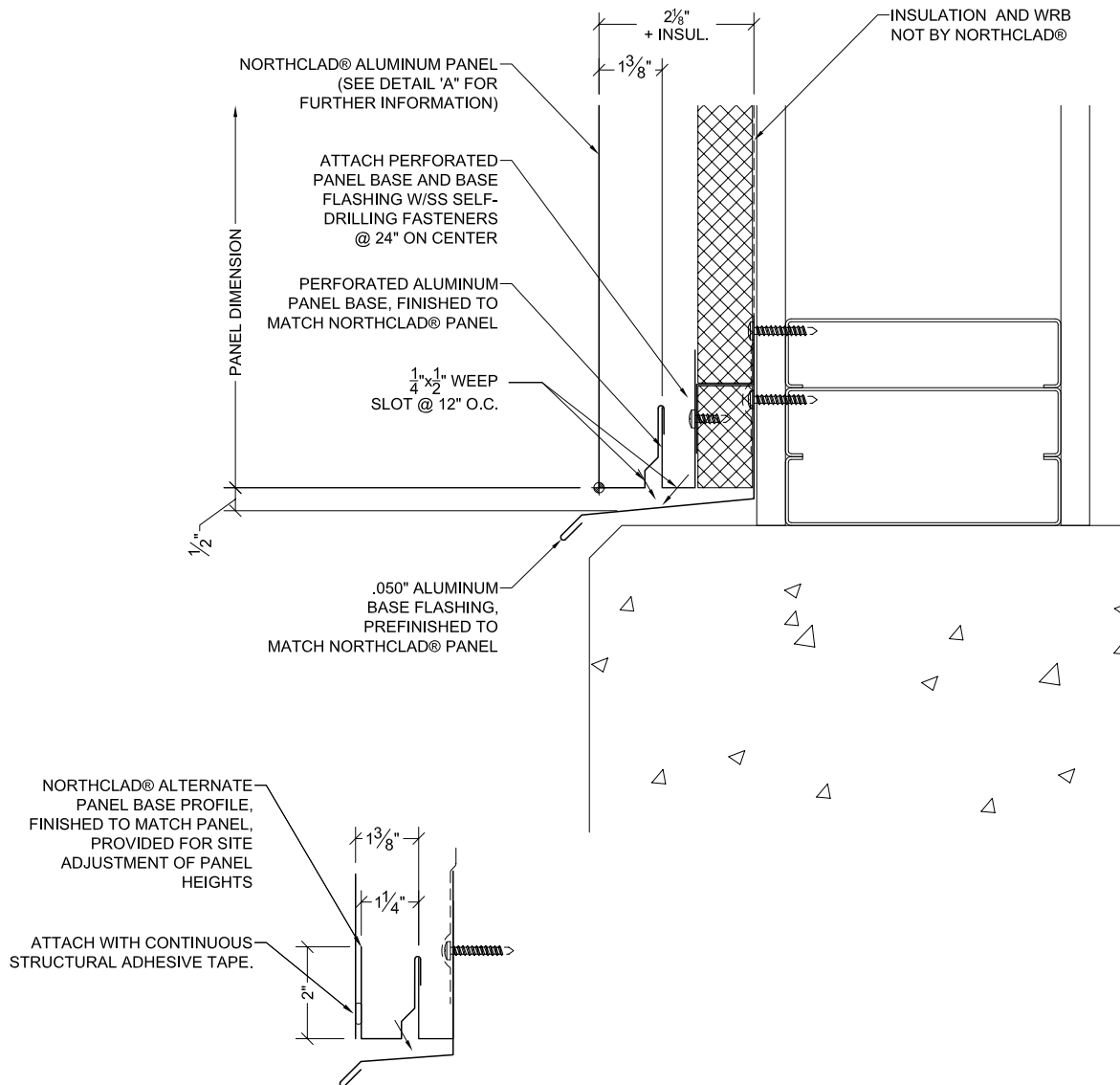
© 2009 NorthClad® Rainscreen Solutions
Everett, WA · (425) 487-1111



Vertical Joint

Scale: 3" = 1' - 0"

**The AL Series
With Insulation**



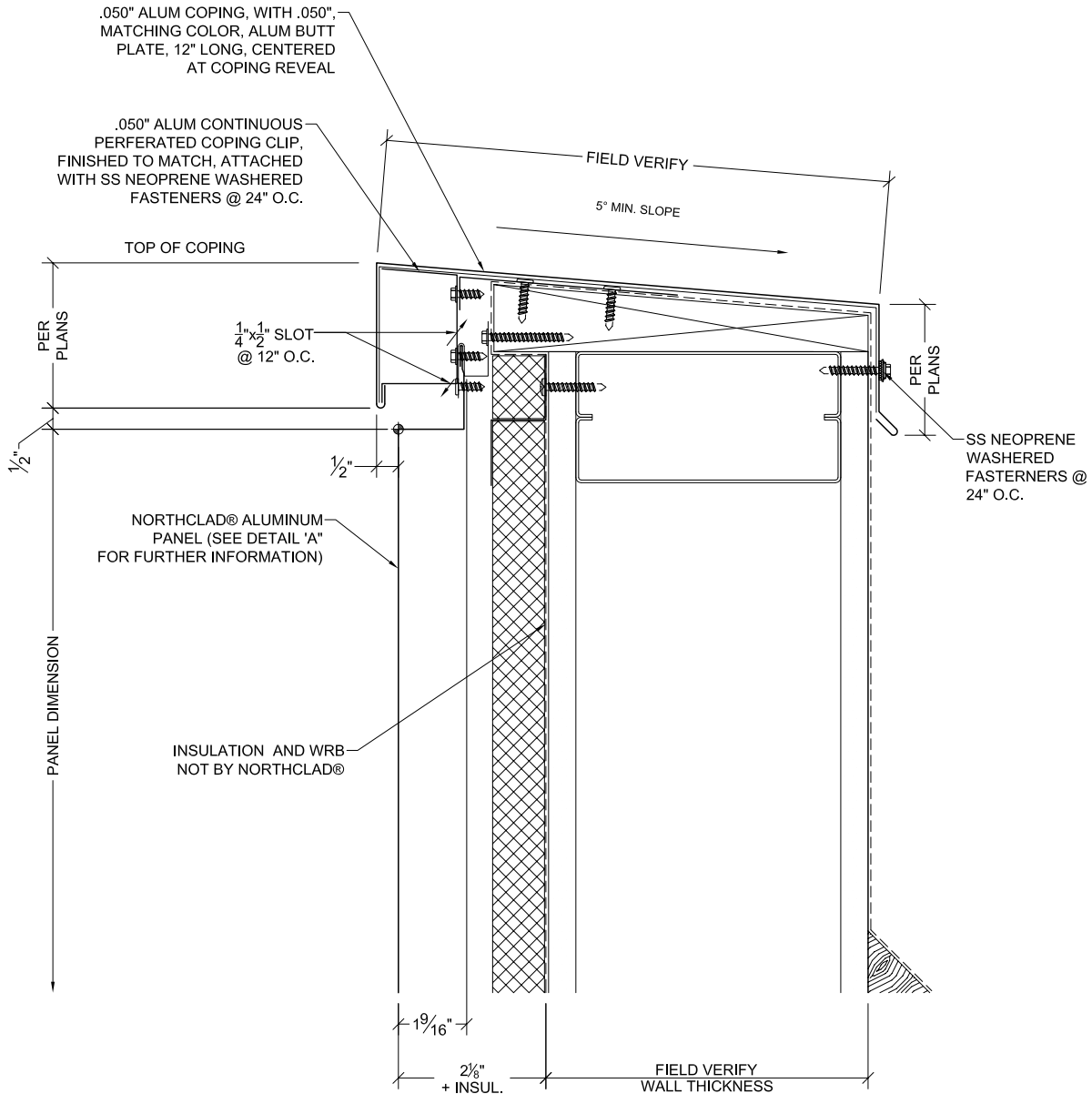
C **Alternate Sill**
Scale: 3" = 1' - 0"

C **Base Detail**
Scale: 3" = 1' - 0"

For details without exterior insulation, or to download the CAD version of this detail, please see www.northclad.com.

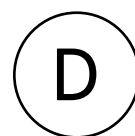
© 2009 NorthClad® Rainscreen Solutions
Everett, WA · (425) 487-1111

**The AL Series
With Insulation**



For details without exterior insulation, or to download the CAD version of this detail, please see www.northclad.com.

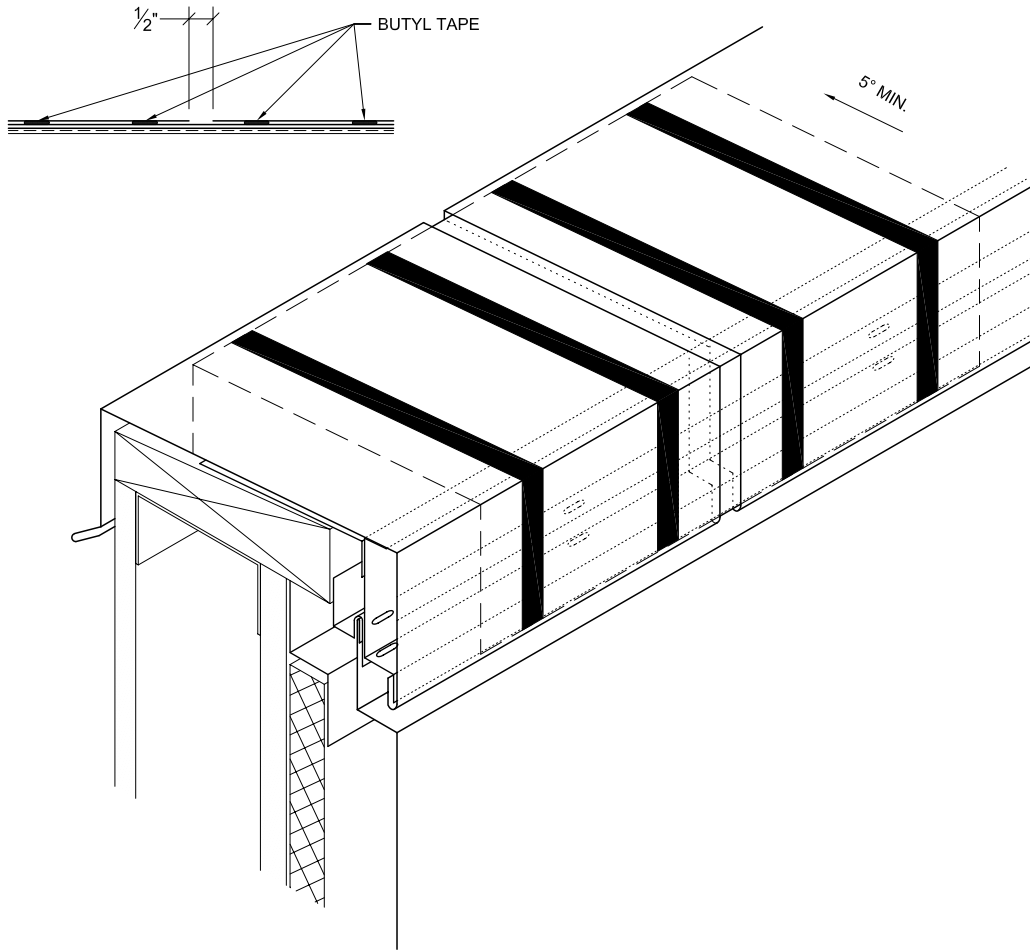
© 2009 NorthClad® Rainscreen Solutions
Everett, WA · (425) 487-1111



Coping

Scale: 3" = 1' - 0"

The AL Series
With Insulation



For details without exterior insulation, or to download the CAD version of this detail, please see www.northclad.com.

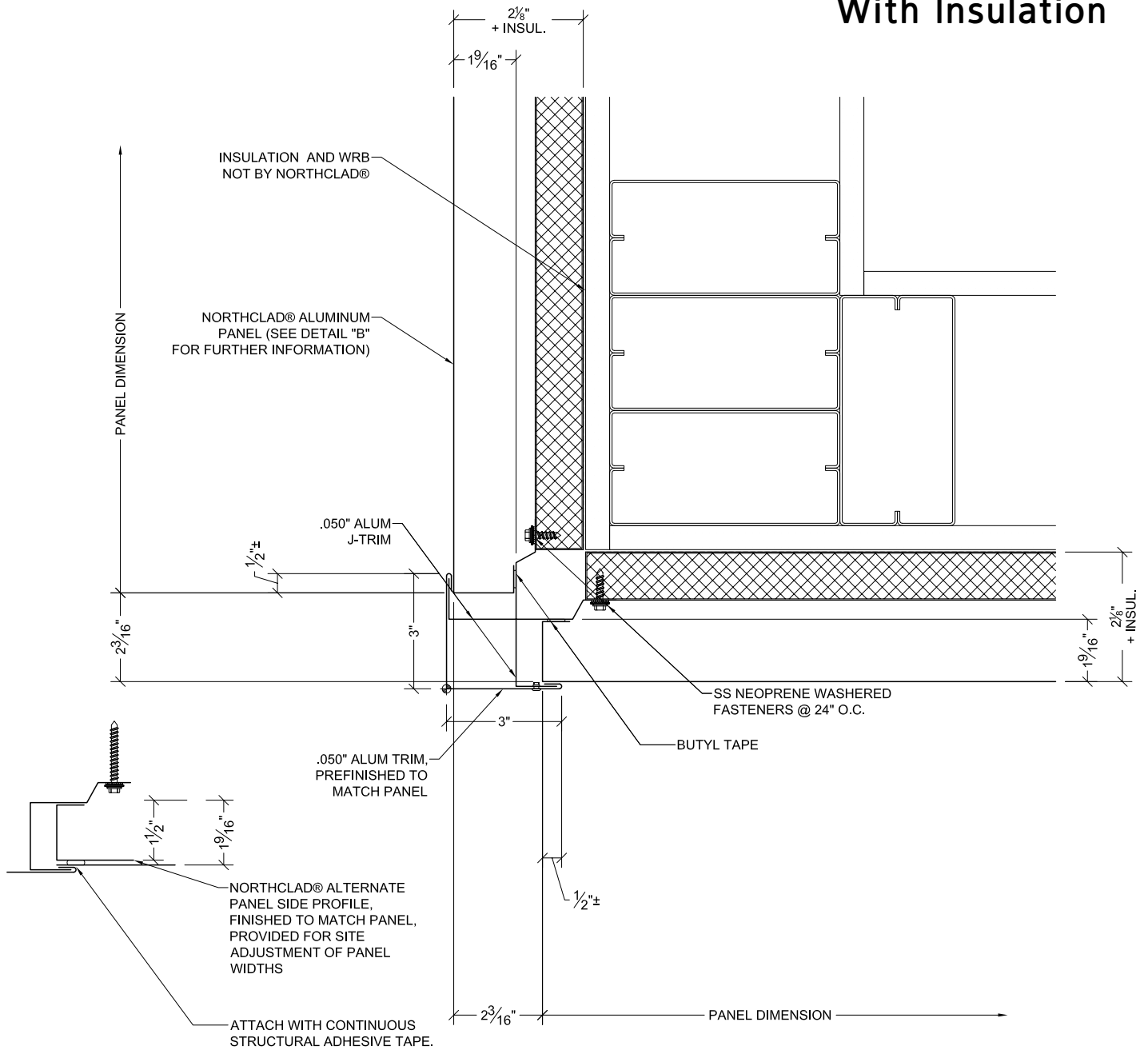
© 2009 NorthClad® Rainscreen Solutions
Everett, WA · (425) 487-1111



Coping Joint

Scale: 3" = 1' - 0"

**The AL Series
With Insulation**



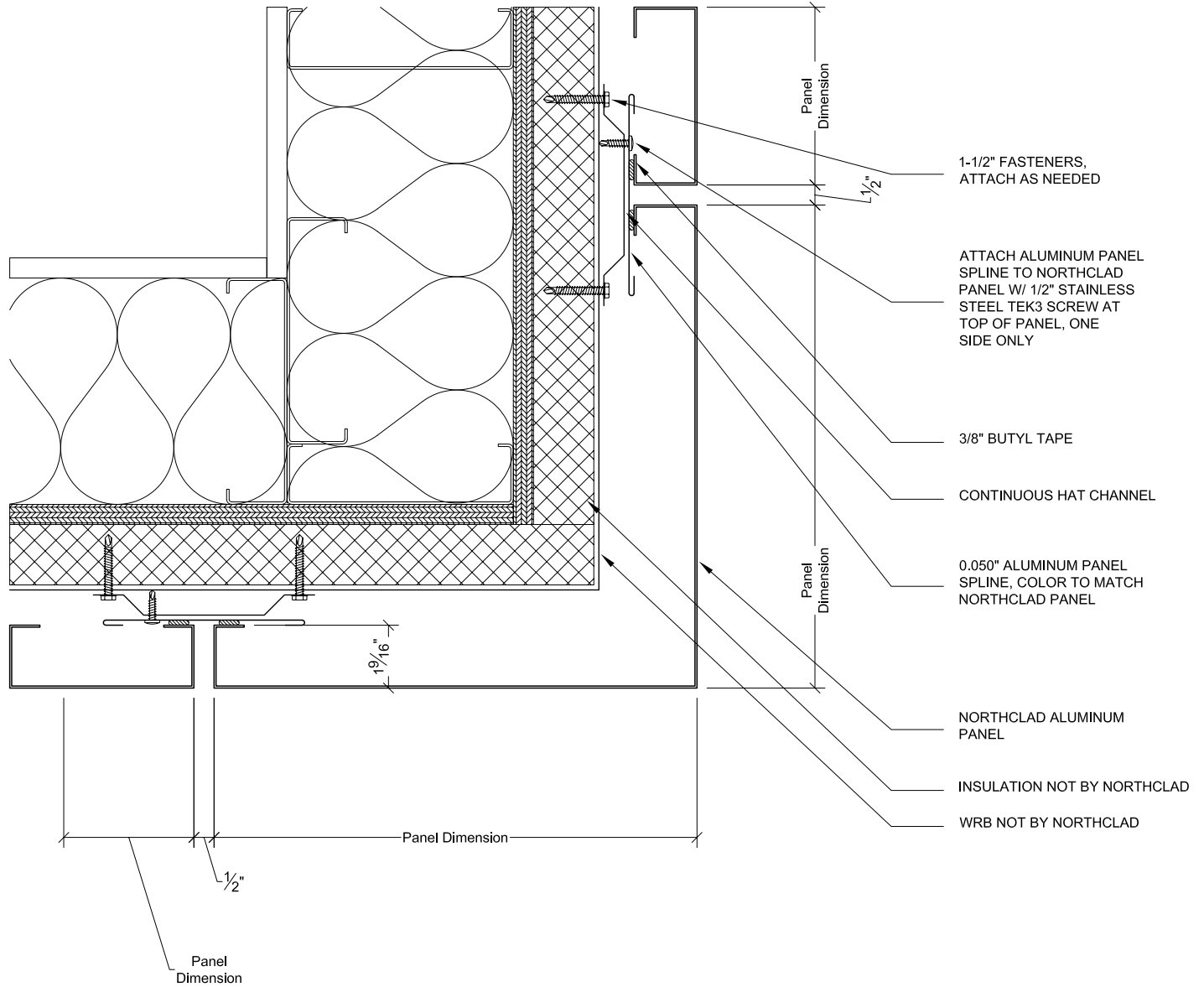
G Alternate O.S.C.
Scale: 3" = 1' - 0"

For details without exterior insulation, or to download the CAD version of this detail, please see www.northclad.com.

© 2009 NorthClad® Rainscreen Solutions
Everett, WA · (425) 487-1111

G Outside Corner
Scale: 3" = 1' - 0"

**The AL Series
With Insulation**



For details without exterior insulation, or to download the CAD version of this detail, please see www.northclad.com.

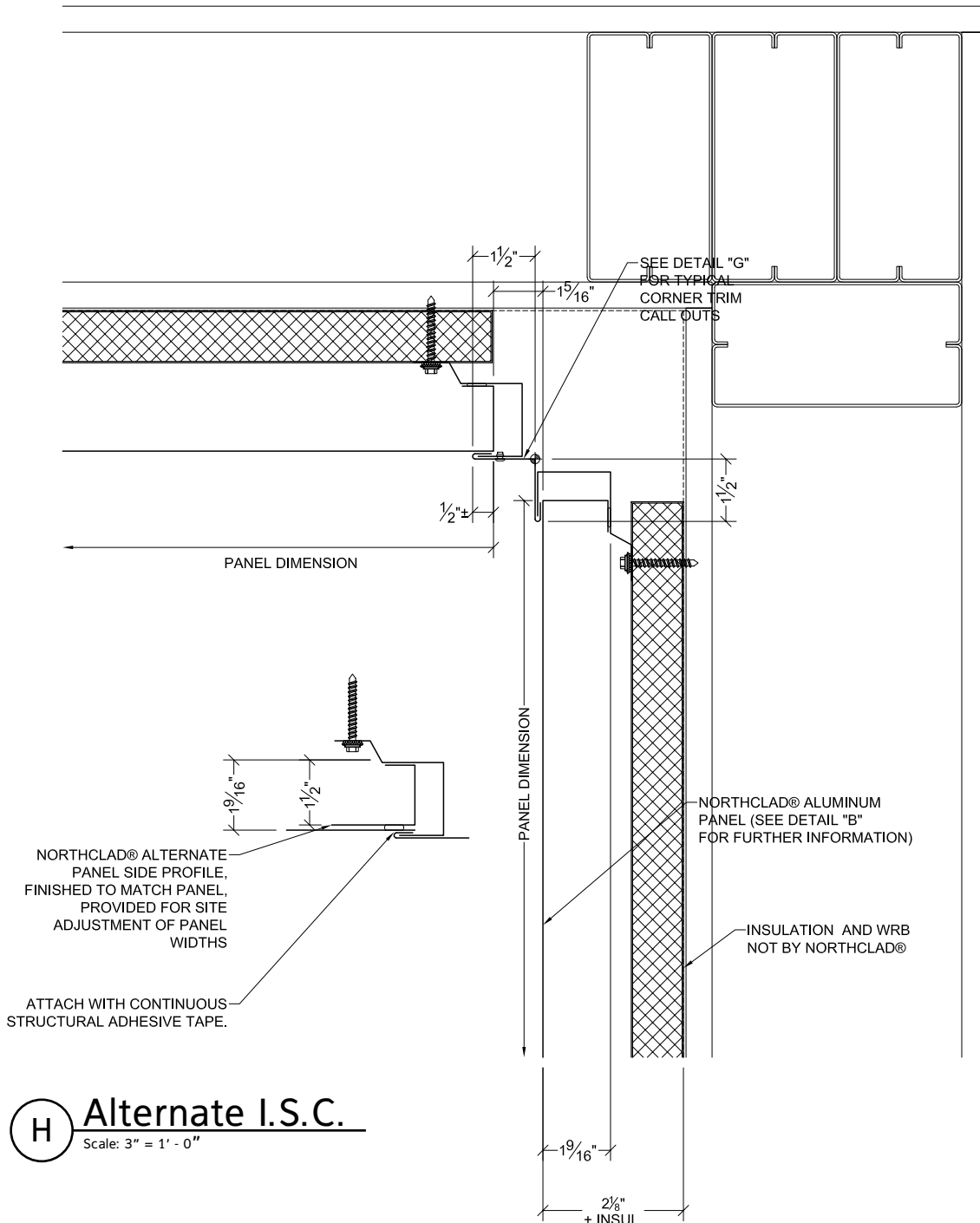
© 2009 NorthClad® Rainscreen Solutions
Everett, WA · (425) 487-1111



Outside Corner Alt.

Scale: 3" = 1' - 0"

The AL Series
With Insulation



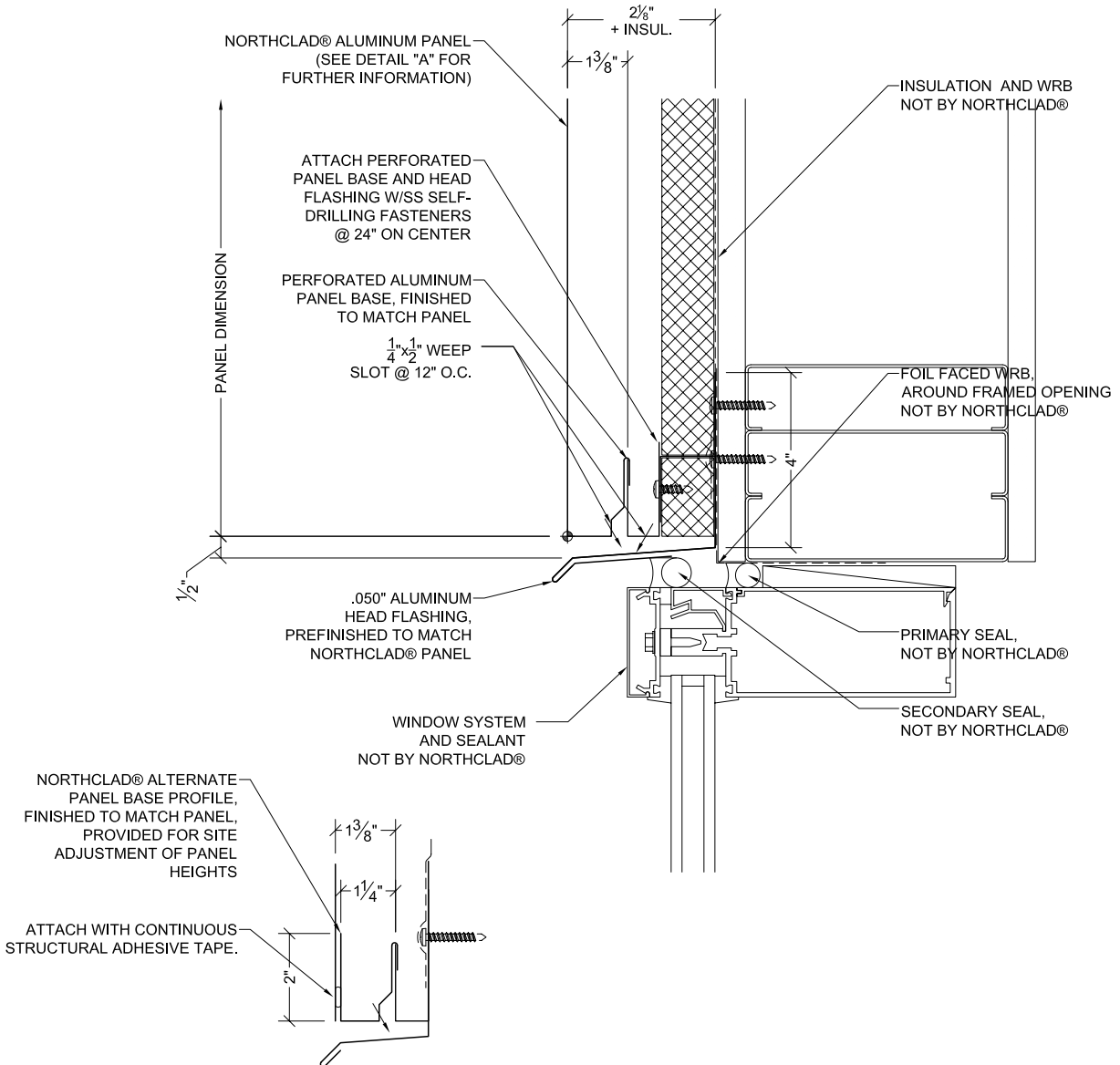
H Alternate I.S.C.
Scale: 3" = 1' - 0"

H Inside Corner
Scale: 3" = 1' - 0"

For details without exterior insulation, or to download the CAD version of this detail, please see www.northclad.com.

© 2009 NorthClad® Rainscreen Solutions
Everett, WA · (425) 487-1111

**The AL Series
With Insulation**



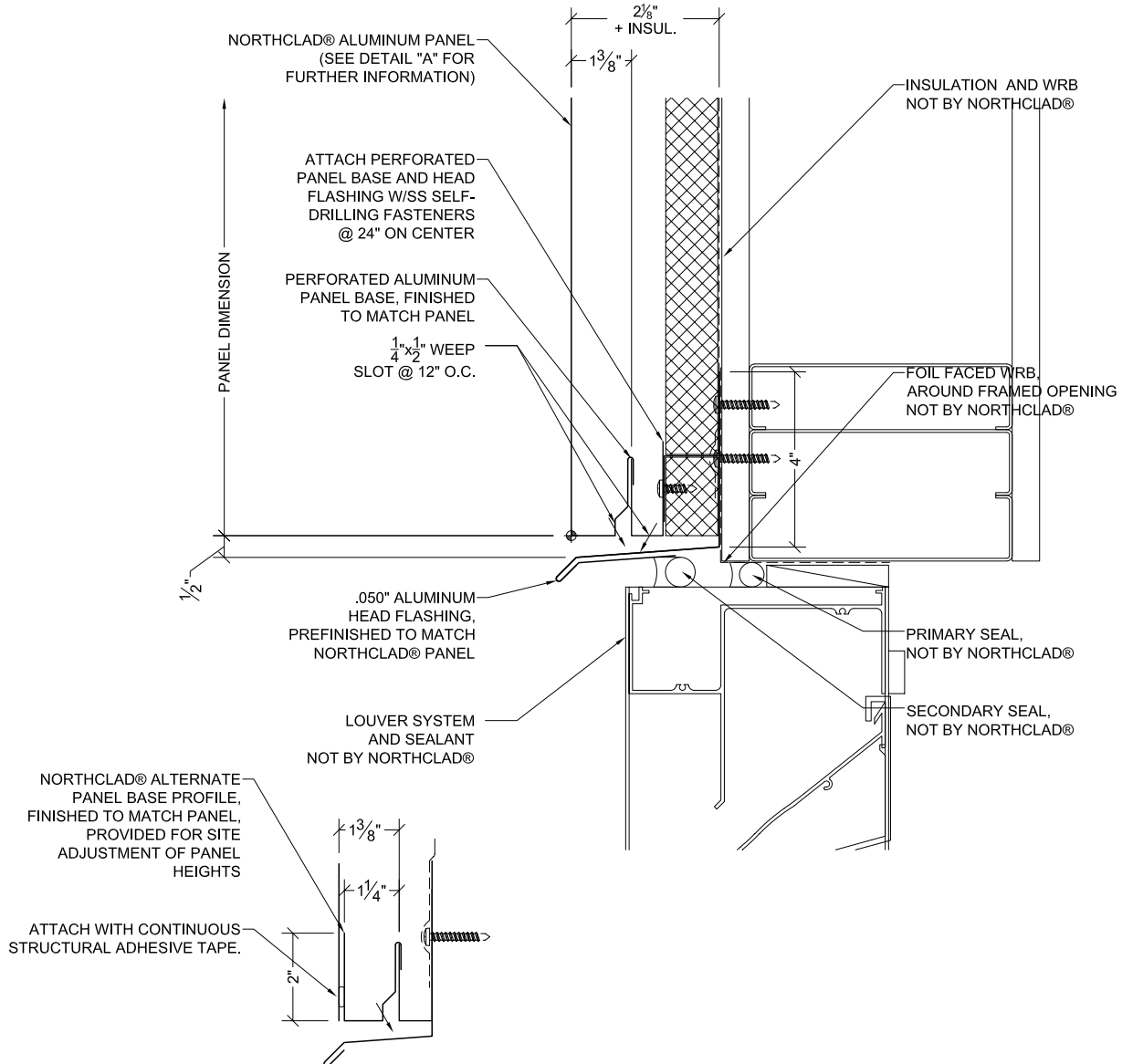
J **Alternate W.H.**
Scale: 3" = 1' - 0"

For details without exterior insulation, or to download the CAD version of this detail, please see www.northclad.com.

J **Window Head**
Scale: 3" = 1' - 0"

© 2009 NorthClad® Rainscreen Solutions
Everett, WA · (425) 487-1111

The AL Series
With Insulation



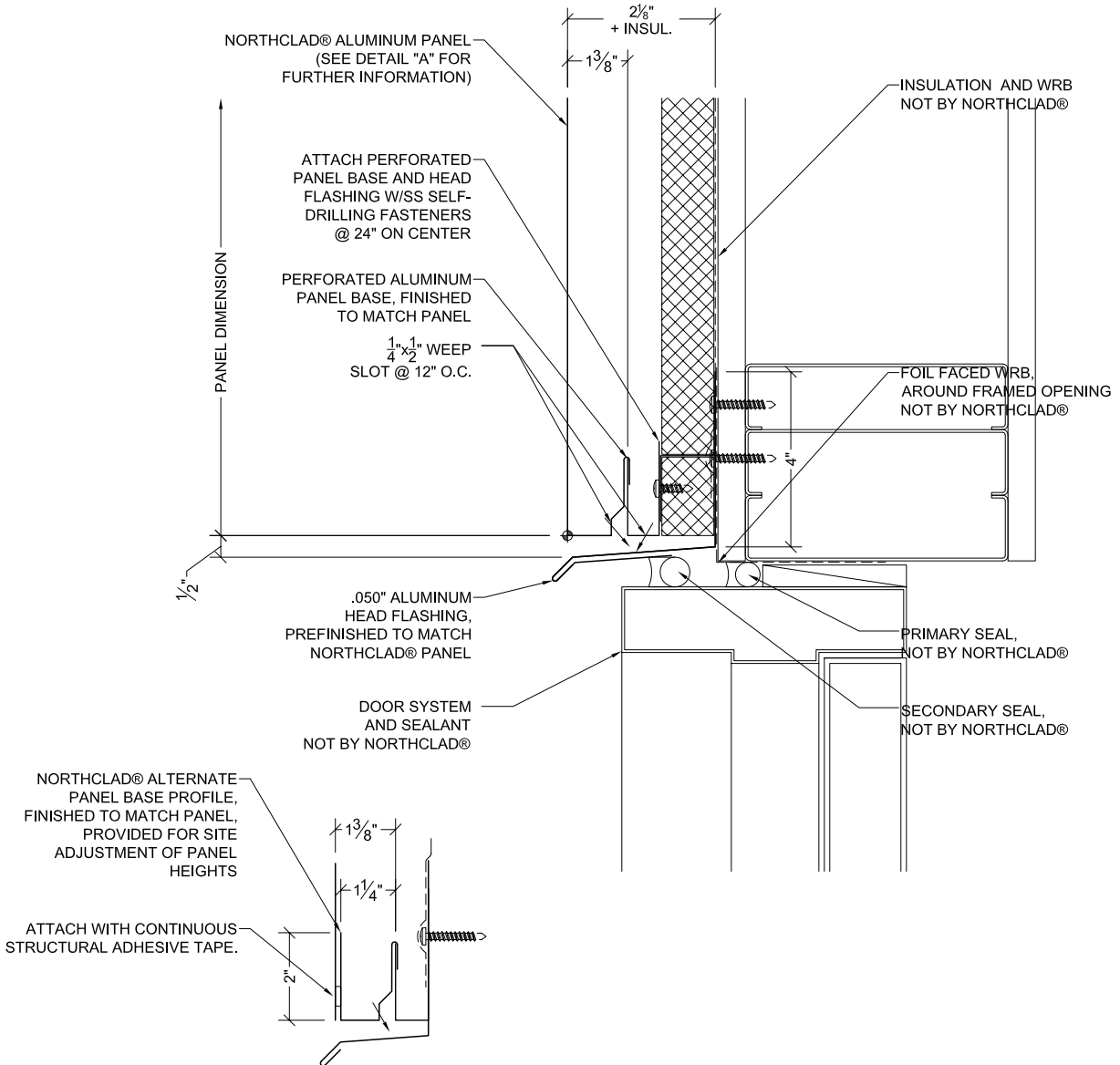
K **Alternate L.H.**
Scale: 3" = 1' - 0"

For details without exterior insulation, or to download the CAD version of this detail, please see www.northclad.com.

K **Louver Head**
Scale: 3" = 1' - 0"

© 2009 NorthClad® Rainscreen Solutions
Everett, WA · (425) 487-1111

**The AL Series
With Insulation**



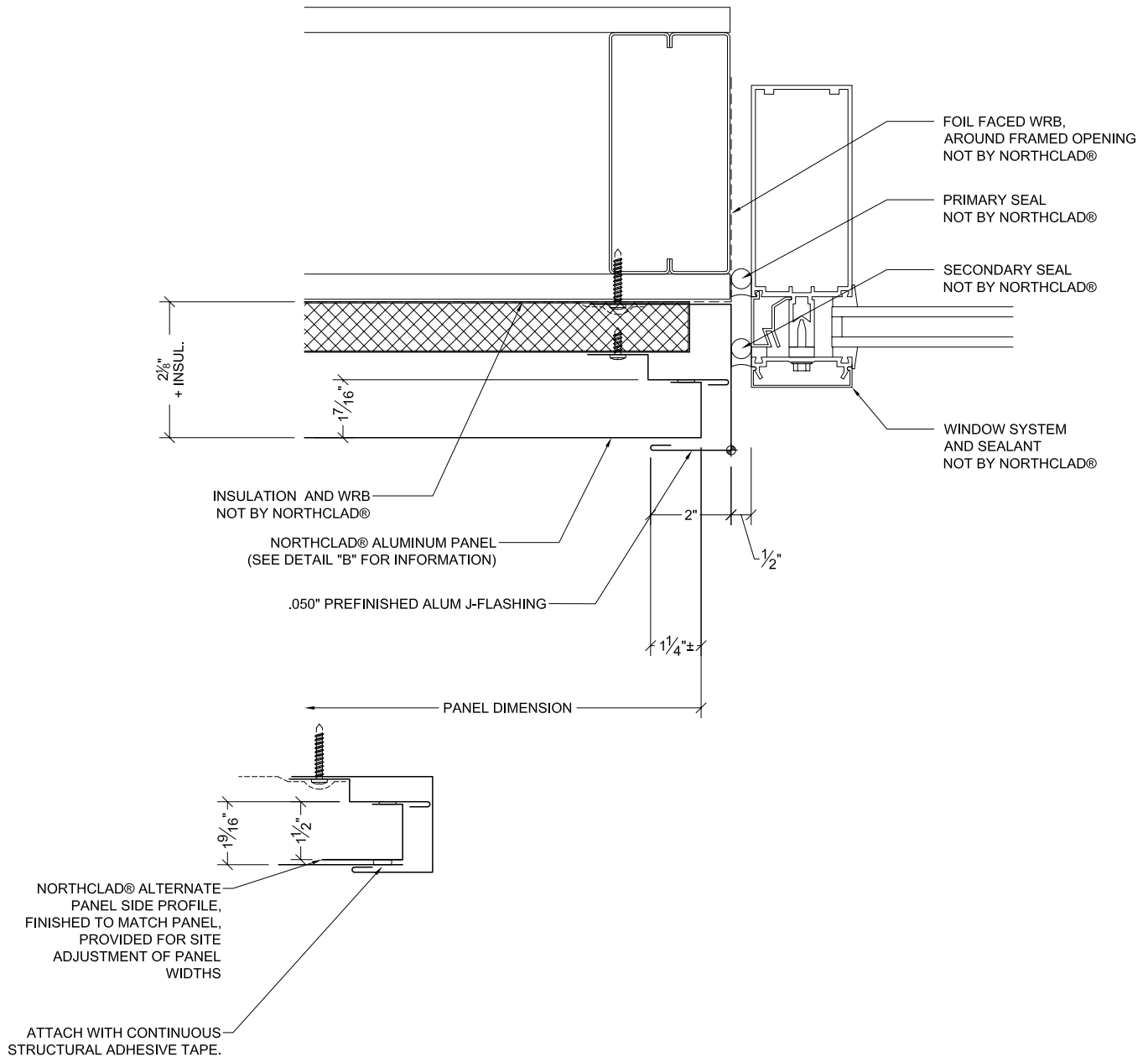
M **Alternate D.H.**
Scale: 3" = 1' - 0"

For details without exterior insulation, or to download the CAD version of this detail, please see www.northclad.com.

M **Door Head**
Scale: 3" = 1' - 0"

© 2009 NorthClad® Rainscreen Solutions
Everett, WA · (425) 487-1111

**The AL Series
With Insulation**

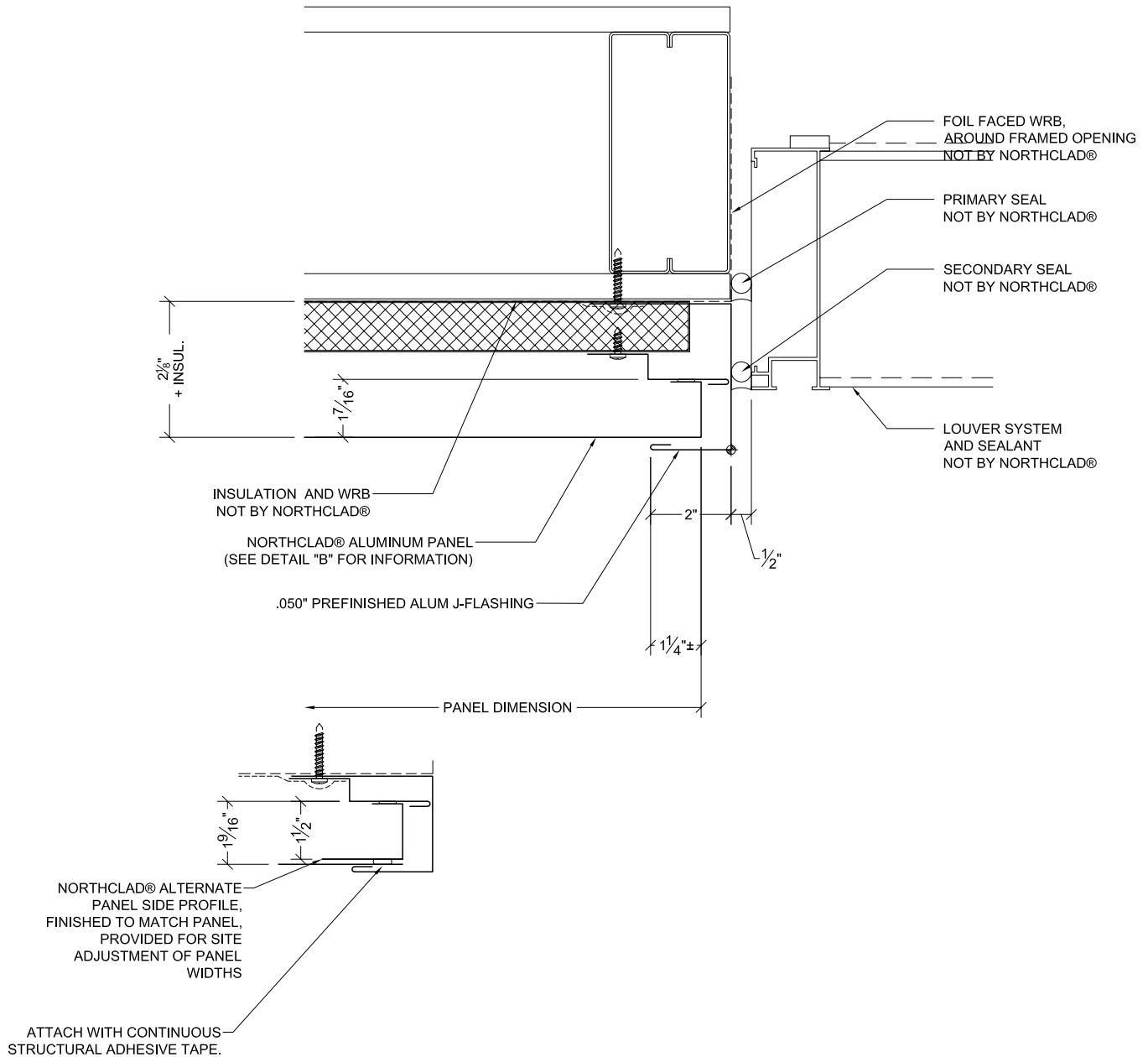


N Alternate W.J.
Scale: 3" = 1' - 0"

For details without exterior insulation, or to download the CAD version of this detail, please see www.northclad.com.

N Window Jamb Left
Scale: 3" = 1' - 0"

The AL Series
With Insulation



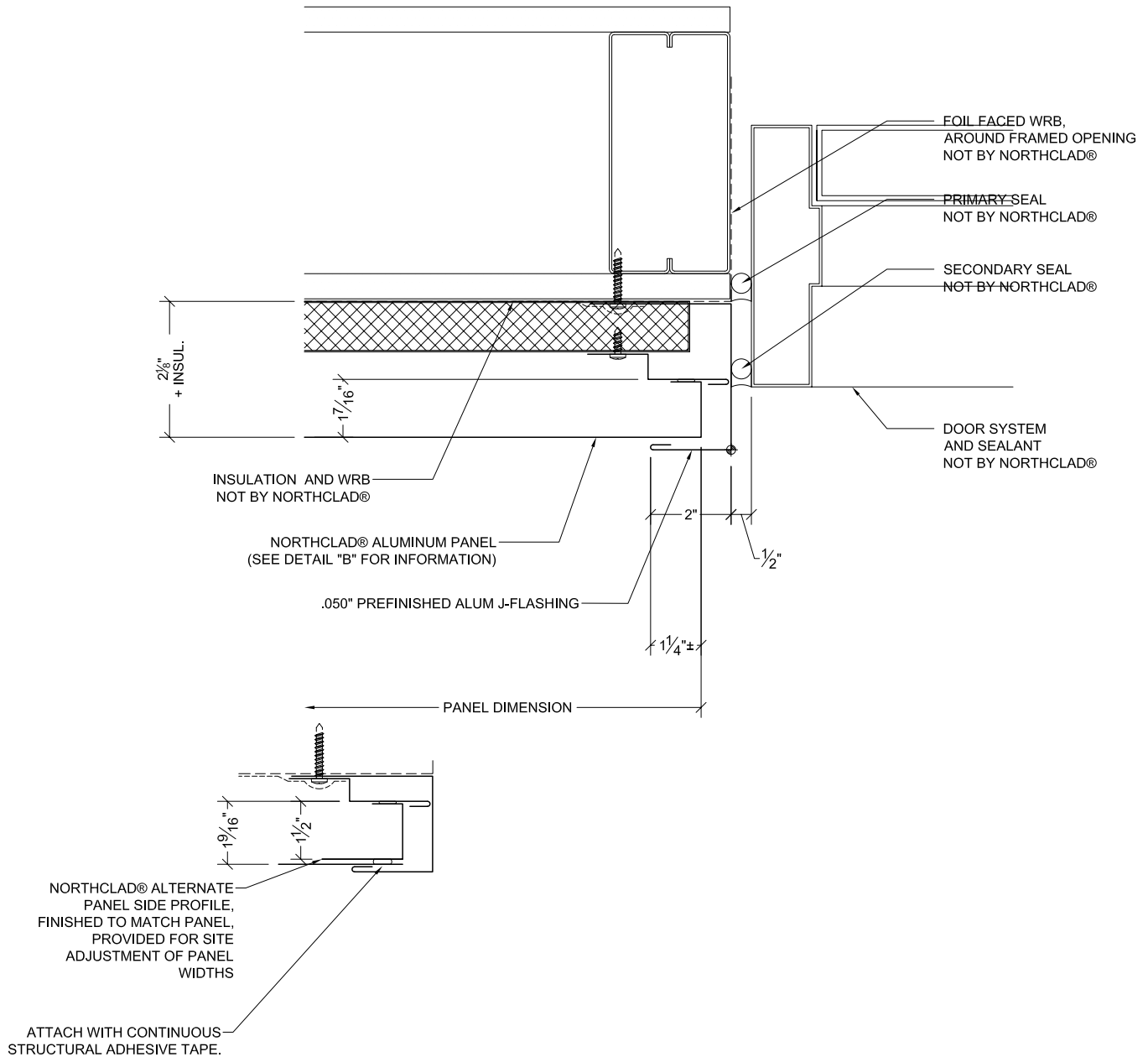
P **Alternate L.J.**
Scale: 3" = 1' - 0"

For details without exterior insulation, or to download the CAD version of this detail, please see www.northclad.com.

P **Louver Jamb Left**
Scale: 3" = 1' - 0"

© 2009 NorthClad® Rainscreen Solutions
Everett, WA · (425) 487-1111

The AL Series
With Insulation

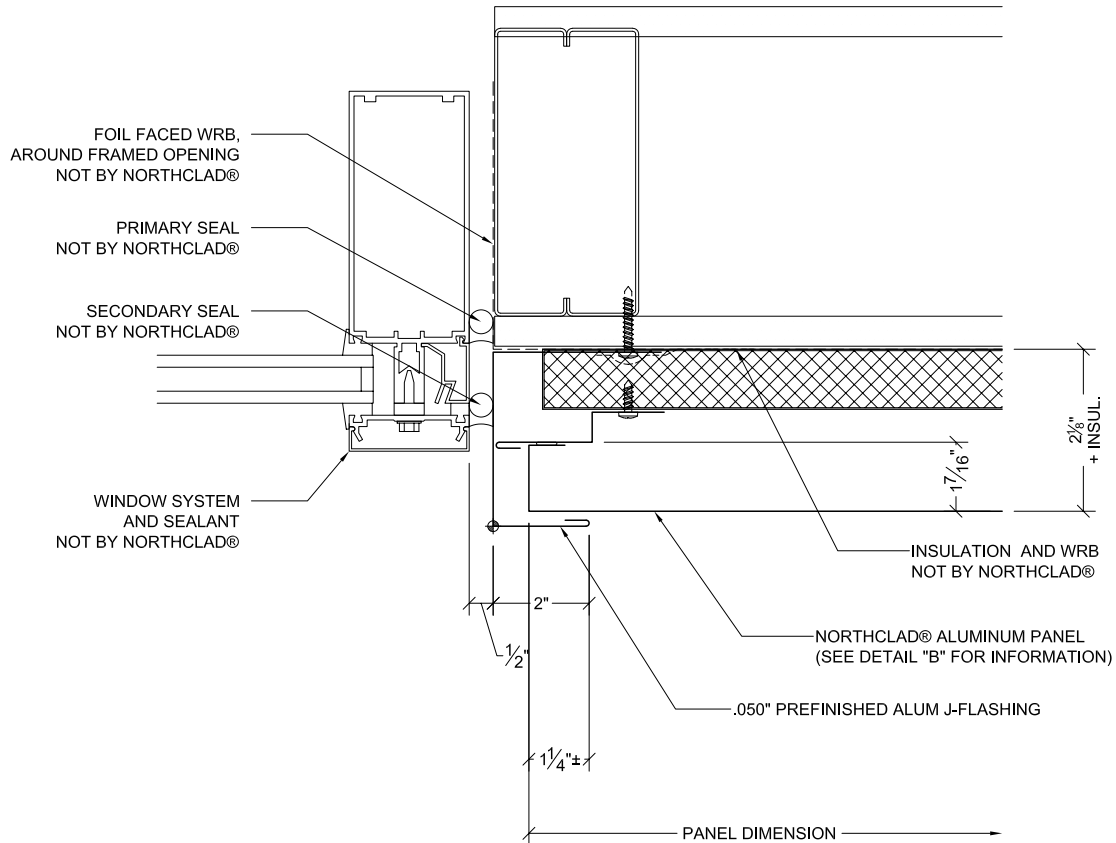


Q **Alternate D.J.**
Scale: 3" = 1' - 0"

For details without exterior insulation, or to download the CAD version of this detail, please see www.northclad.com.

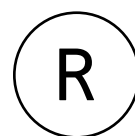
Q **Door Jamb Left**
Scale: 3" = 1' - 0"

The AL Series With Insulation



For details without exterior insulation, or to download the CAD version of this detail, please see www.northclad.com.

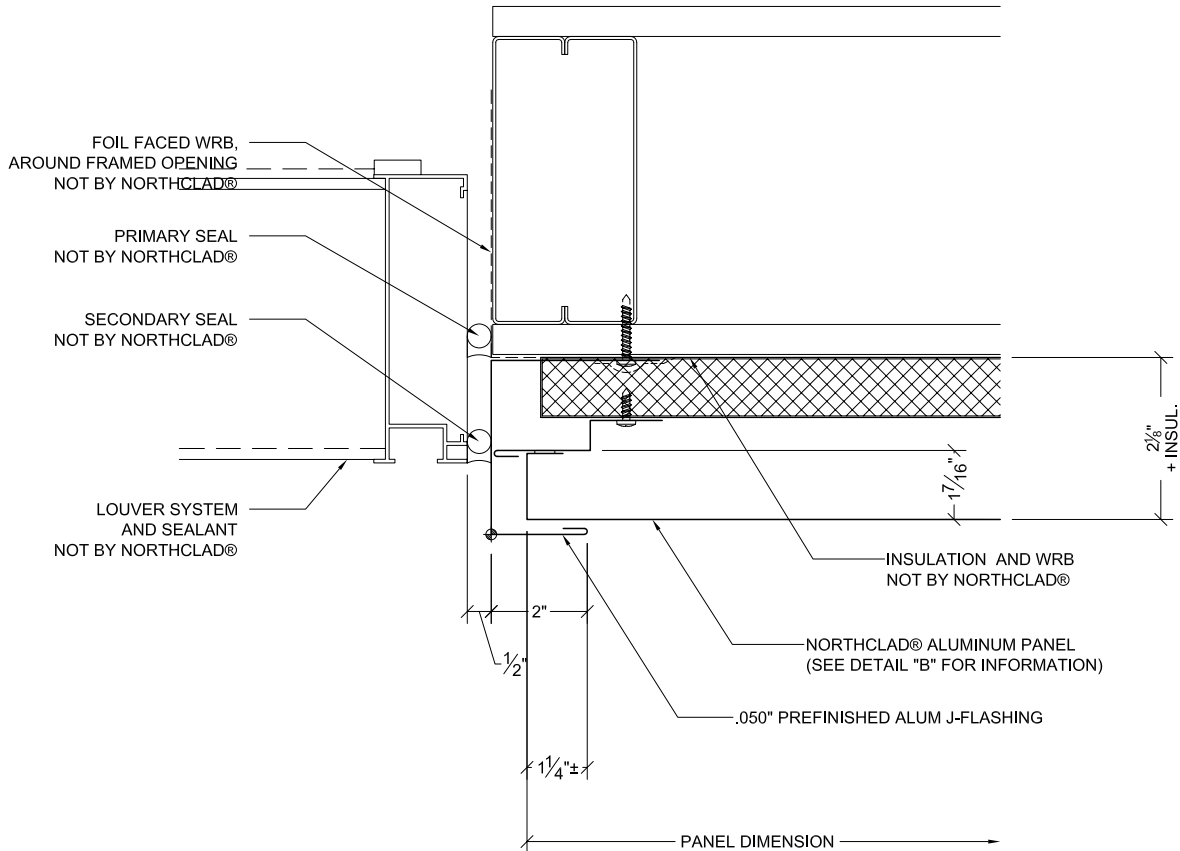
© 2009 NorthClad® Rainscreen Solutions
Everett, WA · (425) 487-1111



Window Jamb Right

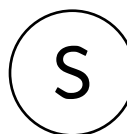
Scale: 3" = 1' - 0"

The AL Series With Insulation



For details without exterior insulation, or to download the CAD version of this detail, please see www.northclad.com.

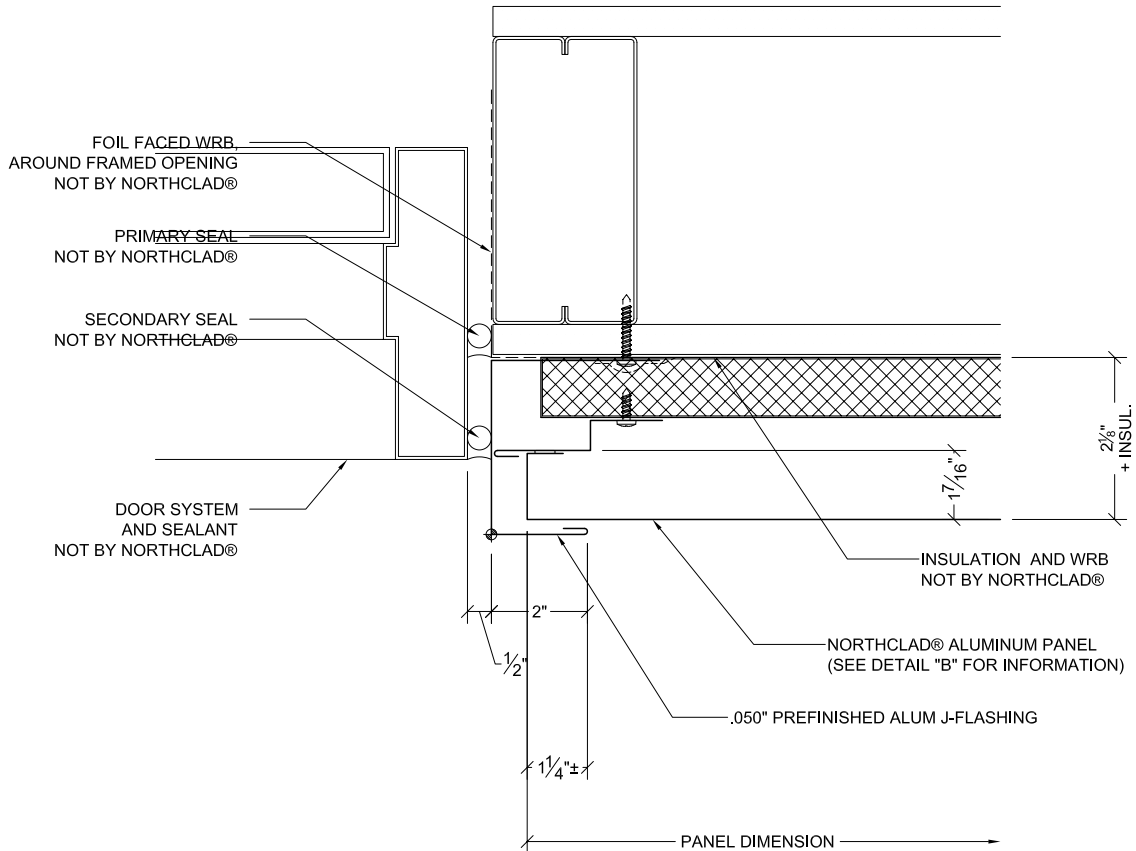
© 2009 NorthClad® Rainscreen Solutions
Everett, WA · (425) 487-1111



Louver Jamb Right

Scale: 3" = 1' - 0"

The AL Series With Insulation



For details without exterior insulation, or to download the CAD version of this detail, please see www.northclad.com.

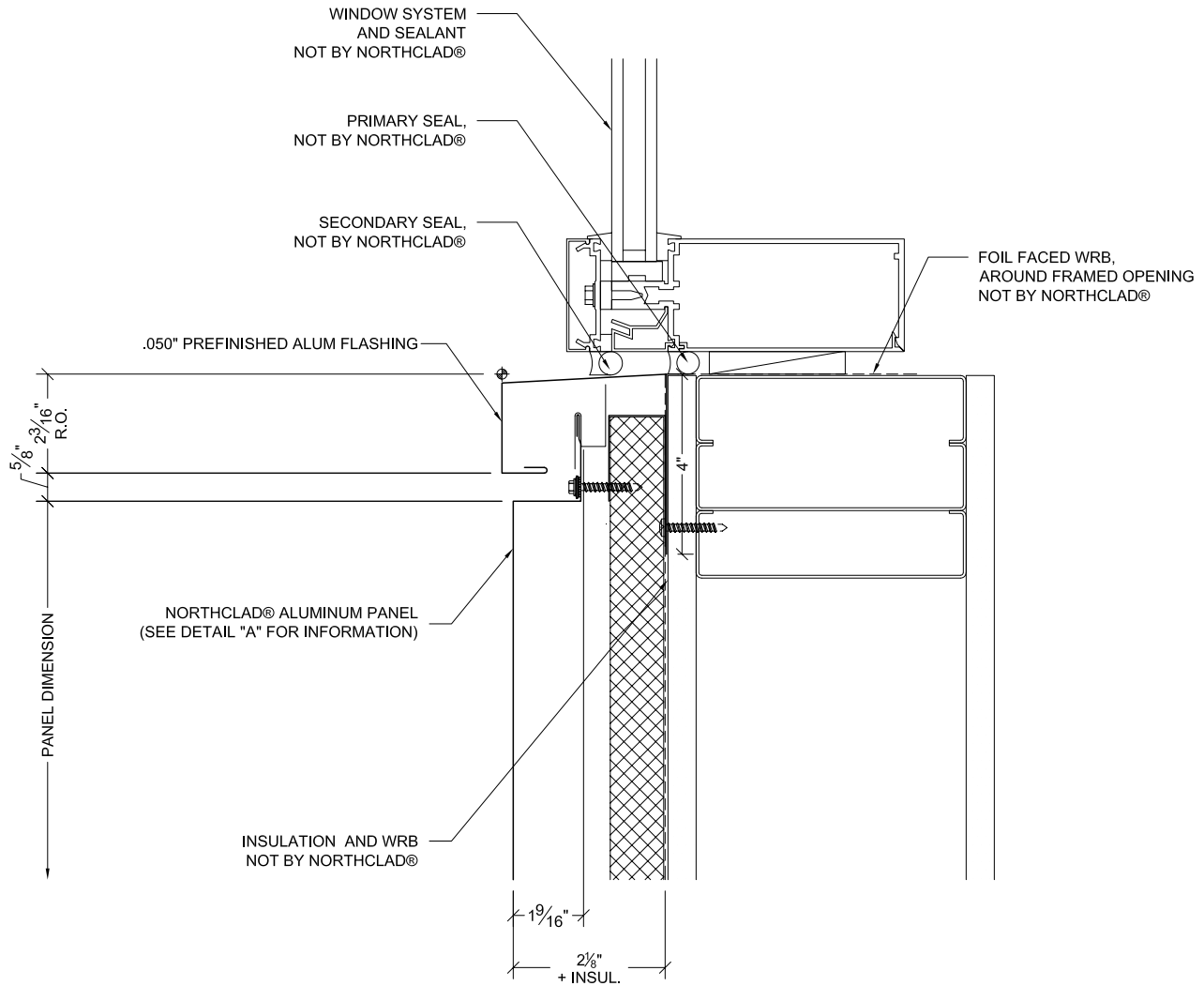
© 2009 NorthClad® Rainscreen Solutions
Everett, WA · (425) 487-1111



Door Jamb Right

Scale: 3" = 1' - 0"

The AL Series With Insulation



For details without exterior insulation, or to download the CAD version of this detail, please see www.northclad.com.

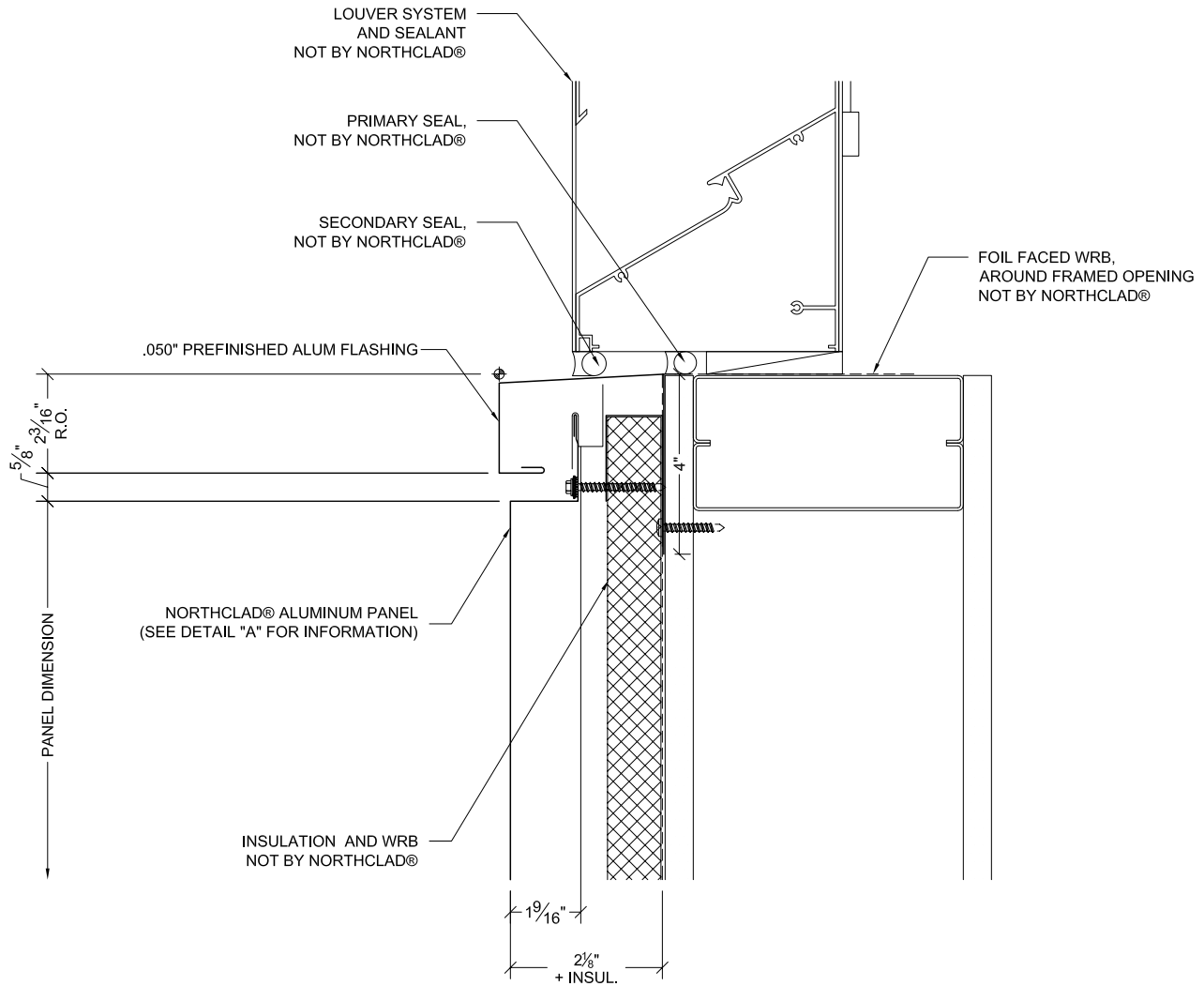
© 2009 NorthClad® Rainscreen Solutions
Everett, WA · (425) 487-1111



Window Sill

Scale: 3" = 1' - 0"

The AL Series With Insulation



For details without exterior insulation, or to download the CAD version of this detail, please see www.northclad.com.

© 2009 NorthClad® Rainscreen Solutions
Everett, WA · (425) 487-1111



Louver Sill

Scale: 3" = 1' - 0"