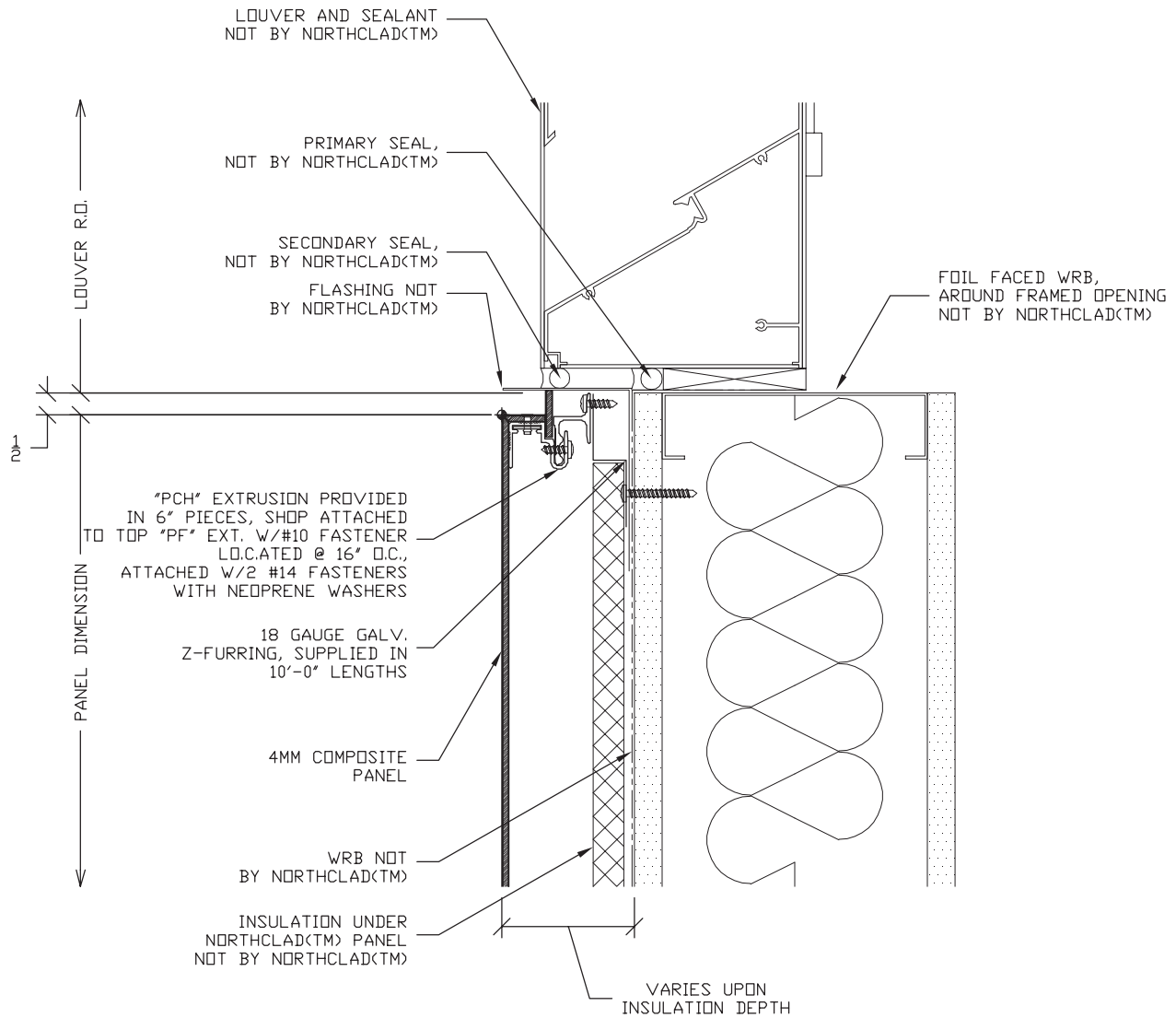


**The ACM Series  
With Insulation**



**Louver Sill**

Scale: 3" = 1' - 0"