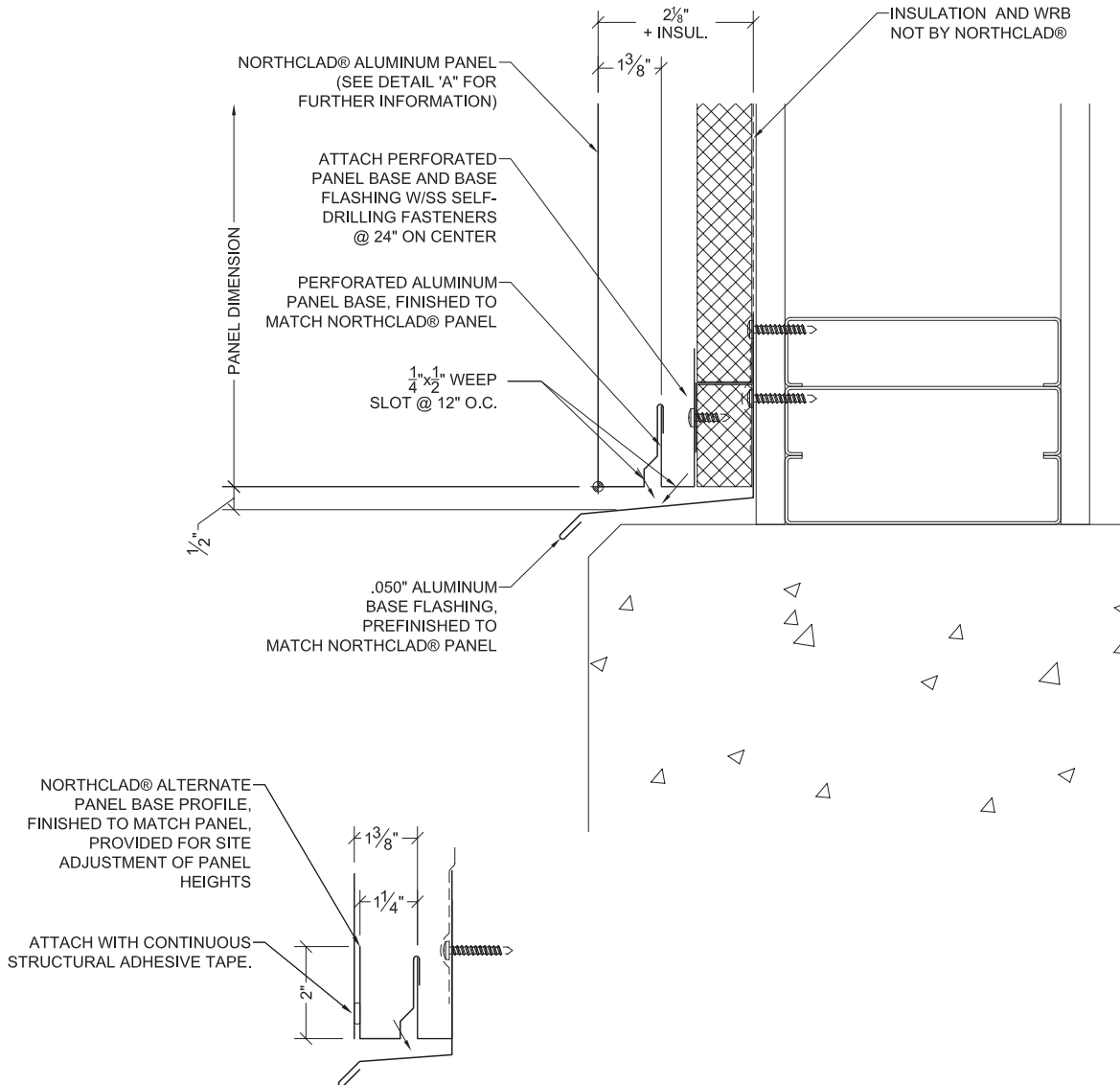


**The AL Series
With Insulation**



C **Alternate Sill**
Scale: 3" = 1' - 0"

For details without exterior insulation, or to download the CAD version of this detail, please see www.northclad.com.

C **Base Detail**
Scale: 3" = 1' - 0"

© 2009 NorthClad® Rainscreen Solutions
Everett, WA · (425) 487-1111