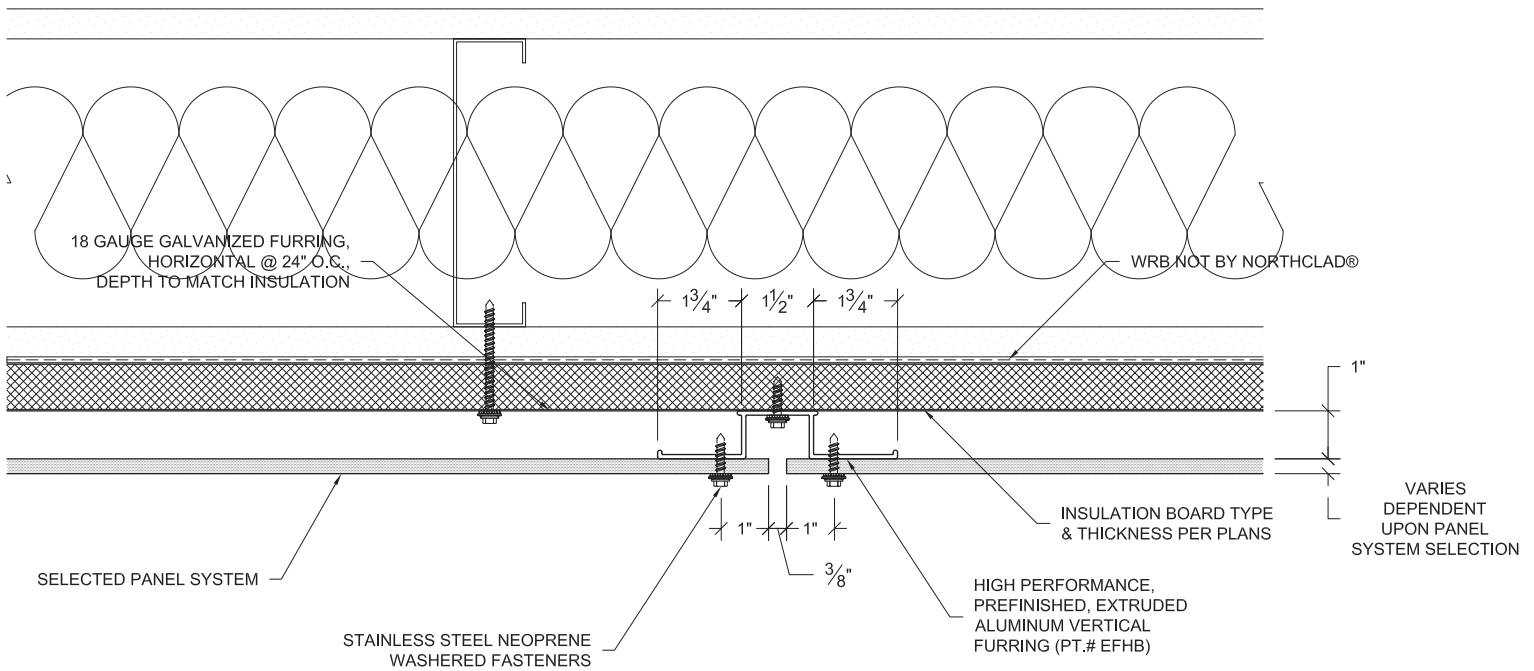


■ Details

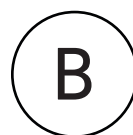
**The EF Series  
With Insulation**

NOTE: FASTEN FURRING INTO  
ALIGNED STUD OR HORIZONTAL  
BLOCKING. SPACING PER ENGINEER-  
ING, 2'-0" O.C. MAX



For details without exterior insulation, or  
to download the CAD version of this detail,  
please see [www.northclad.com](http://www.northclad.com).

© 2009 NorthClad® Rainscreen Solutions  
Everett, WA · (425) 487-1111



**Vertical Joint**

Scale: 3" = 1' - 0"