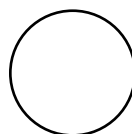
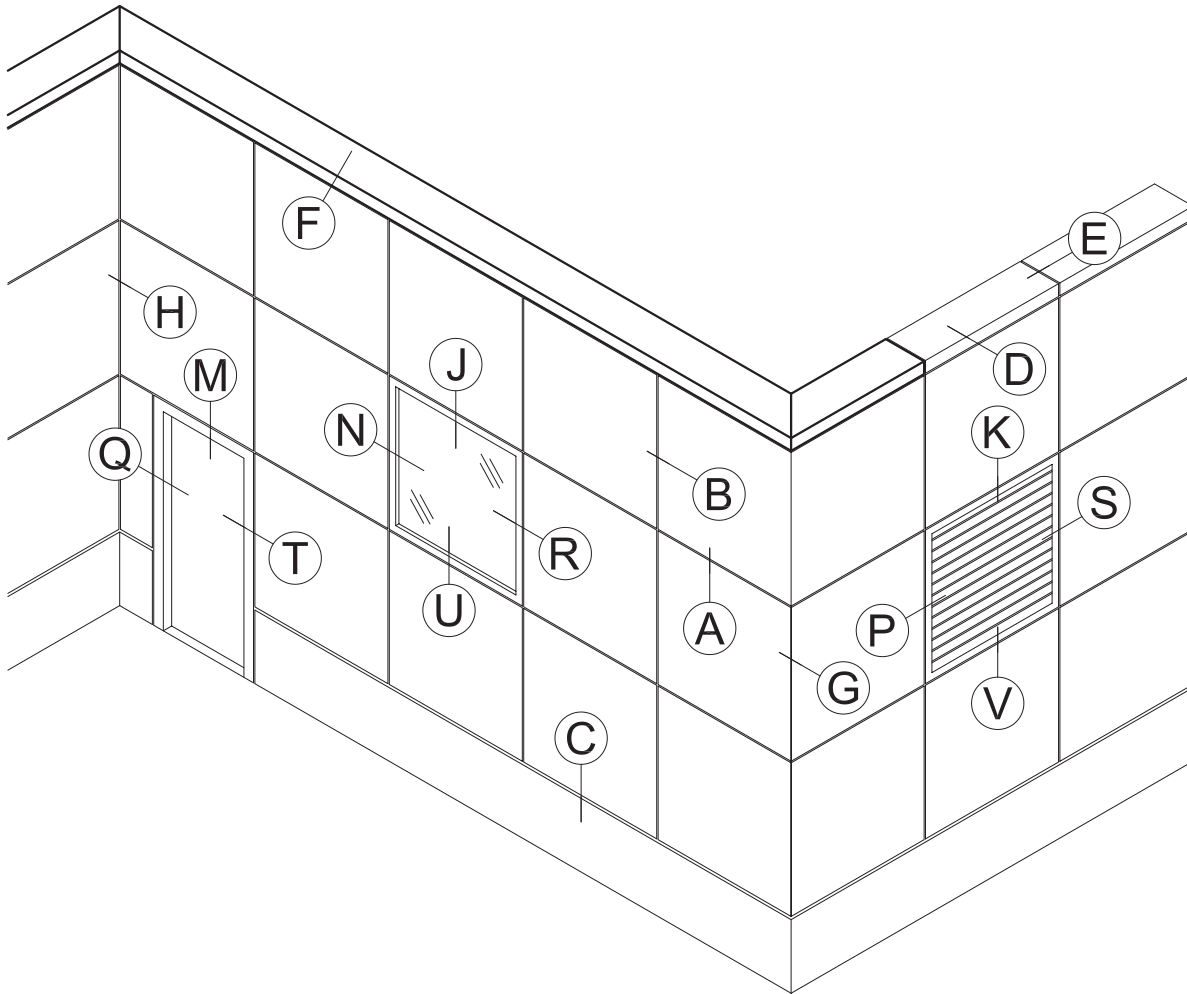


Details	2
ACM Detail Reference	2
Base Detail	5
Coping	6
Coping Joint	7
Door Head	13
Door Jamb Left	16
Door Jamb Right	19
Horizontal Joint	3
Inside Corner	10
Louver Head	12
Louver Jamb Left	15
Louver Jamb Right	18
Louver Sill	21
Outside Corner	9
Sheet Metal Coping	8
Vertical Joint	4
Window Head	11
Window Jamb Left	14
Window Jamb Right	17
Window Sill	20

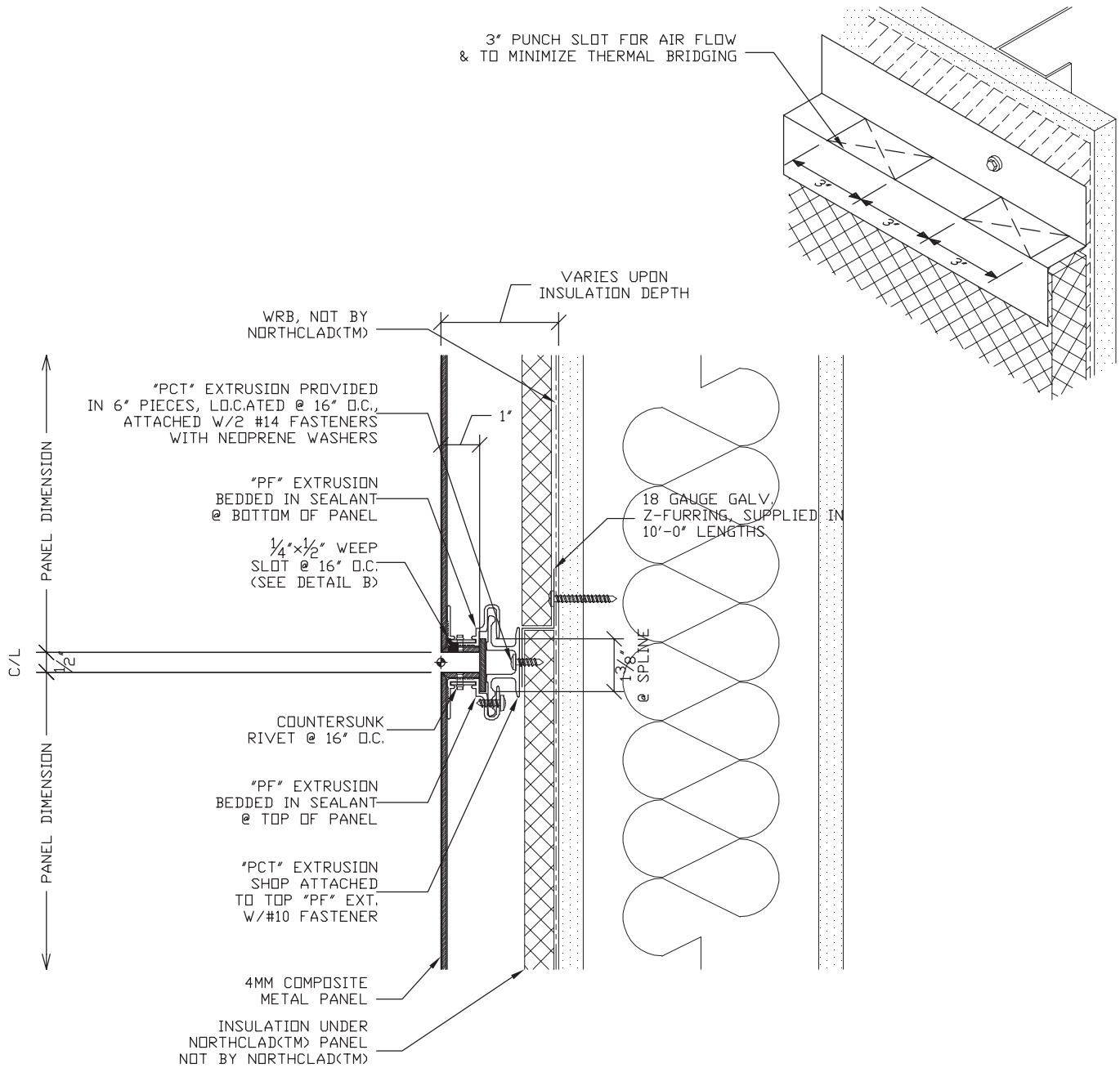
**The ACM Series
With Insulation**



ACM Detail Reference

Scale: NTS

**The ACM Series
With Insulation**

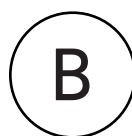
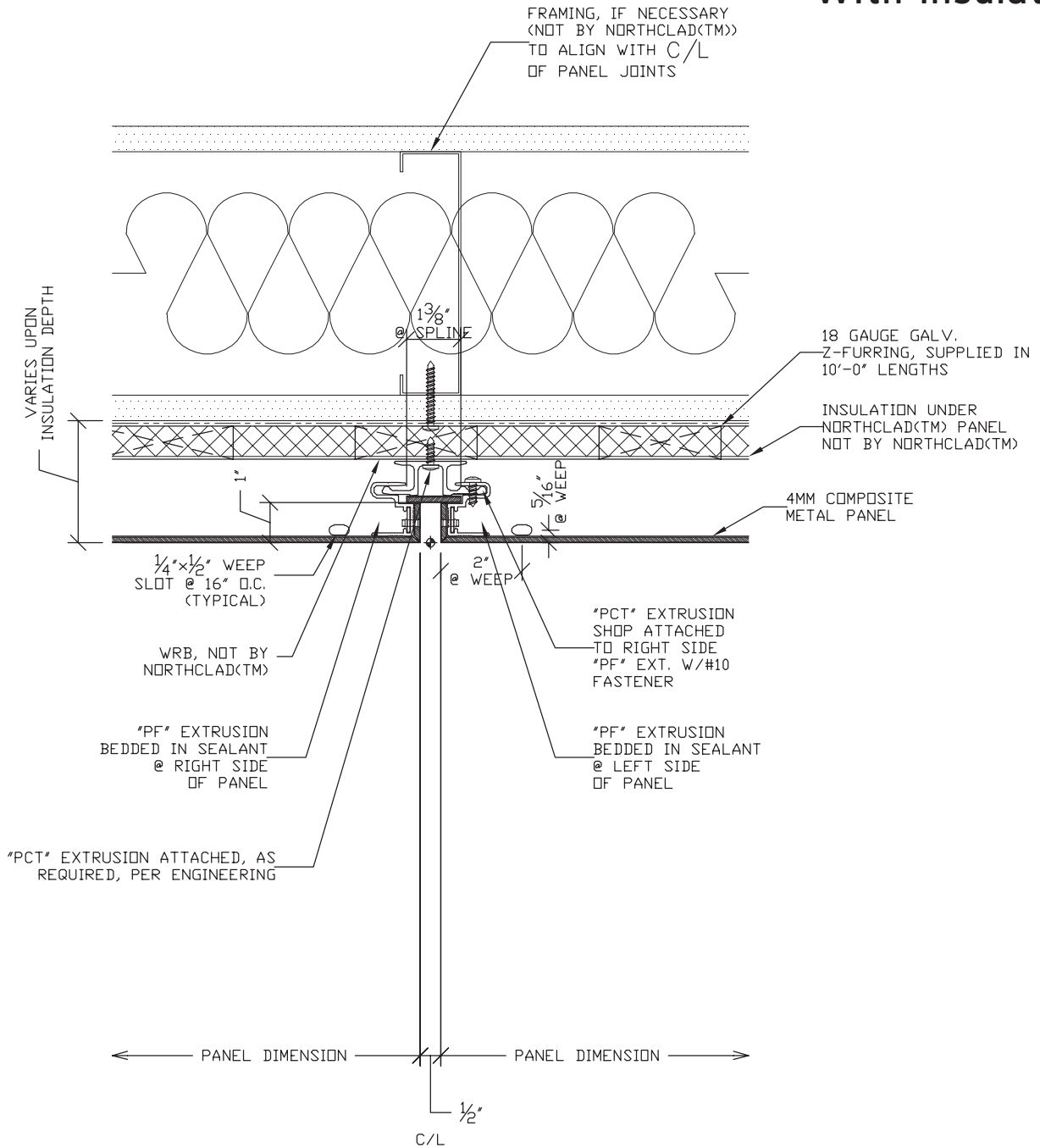


A

Horizontal Joint

Scale: 3" = 1' - 0"

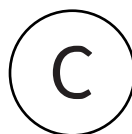
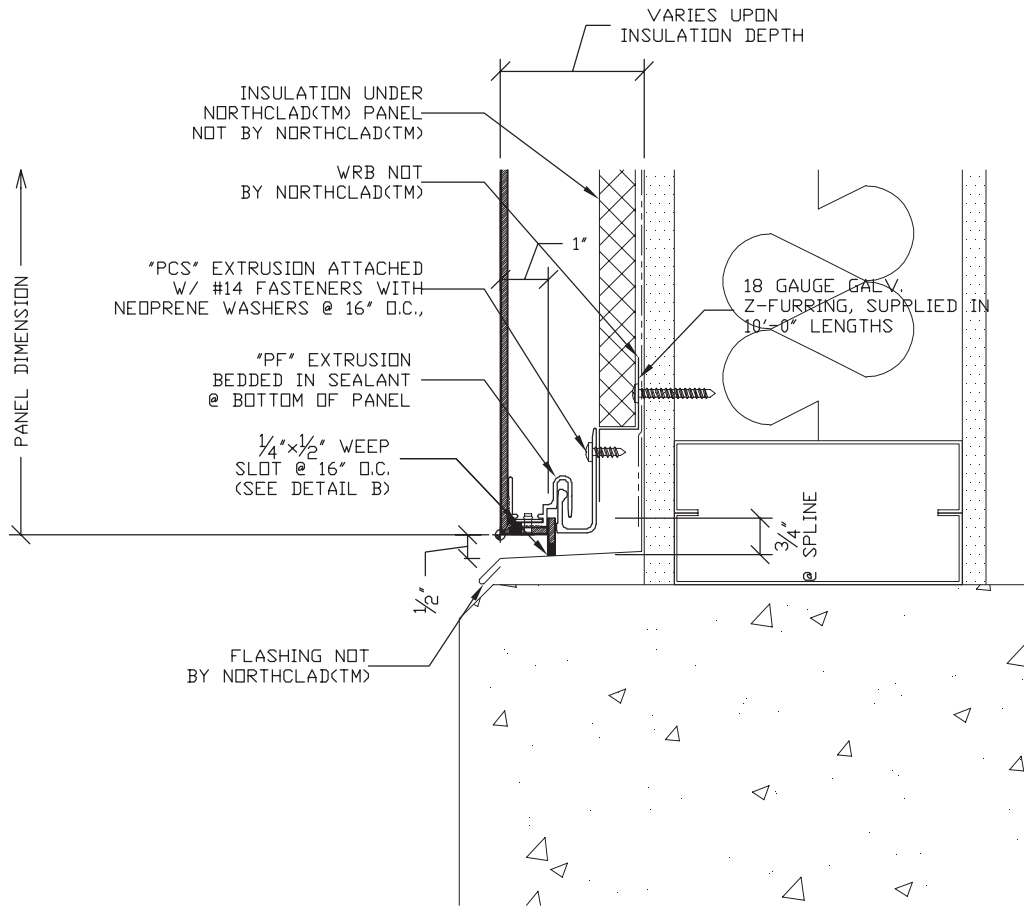
**The ACM Series
With Insulation**



Vertical Joint

Scale: 3" = 1' - 0"

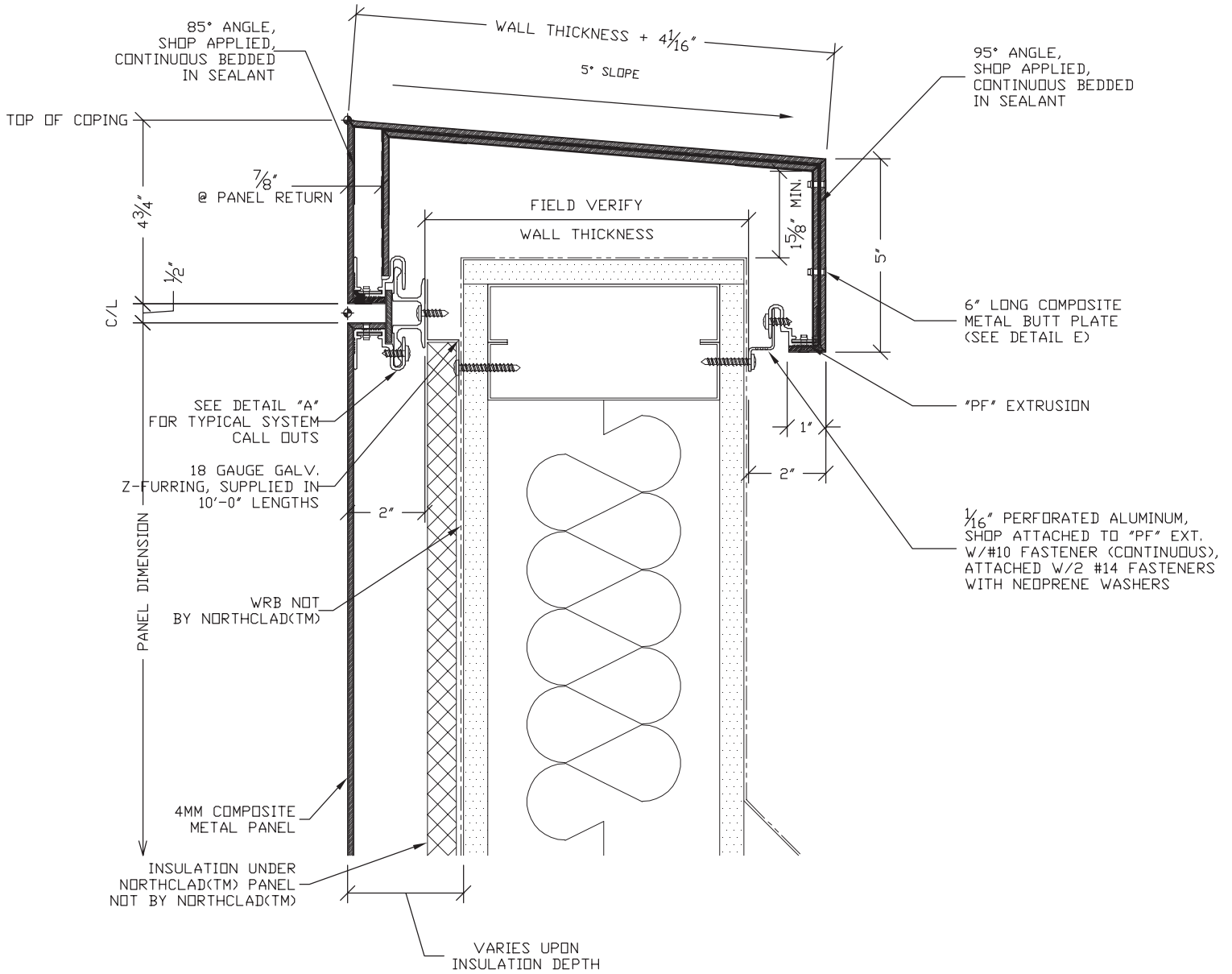
**The ACM Series
With Insulation**



Base Detail

Scale: 3" = 1' - 0"

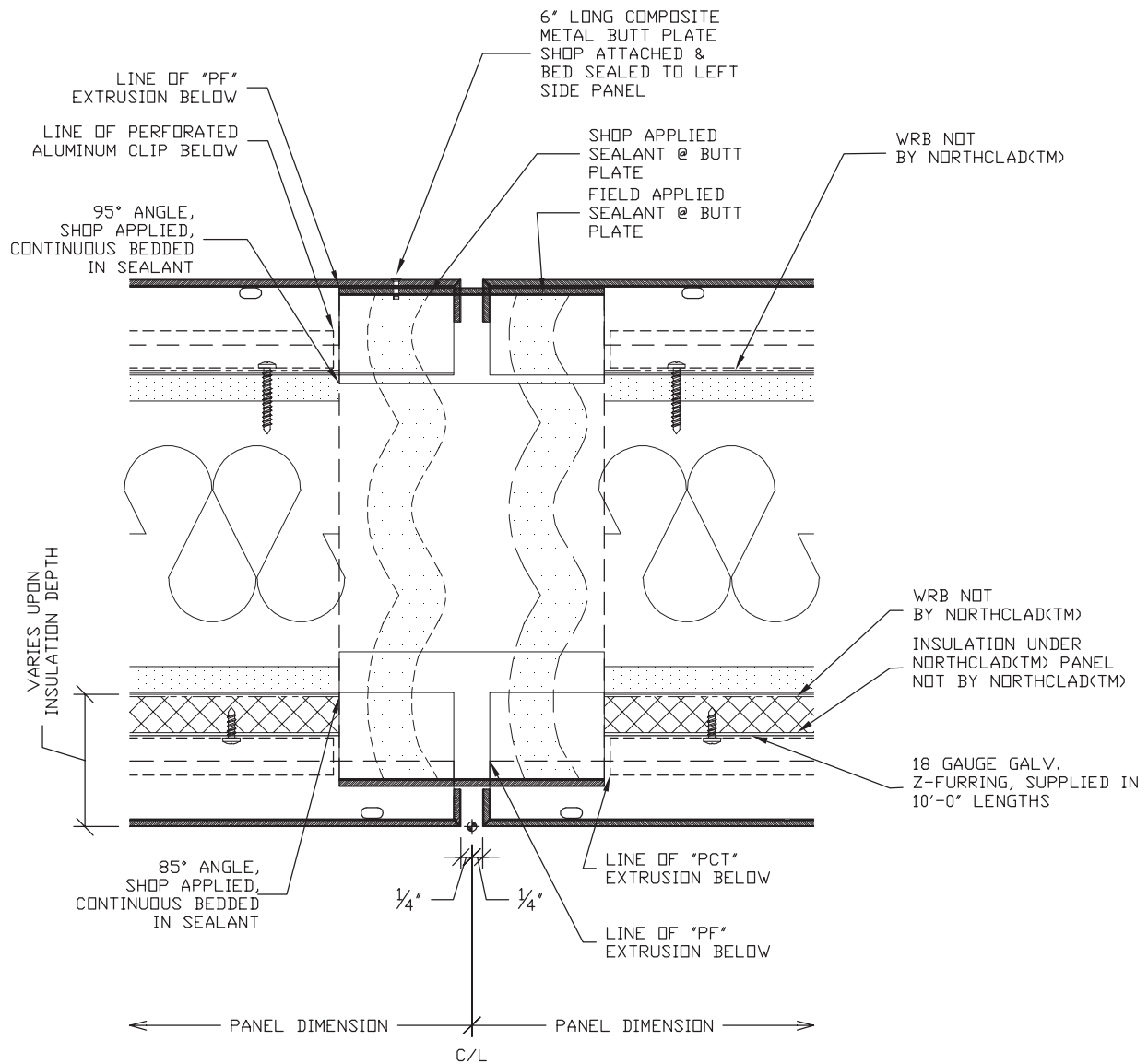
**The ACM Series
With Insulation**



Coping

Scale: 3" = 1' - 0"

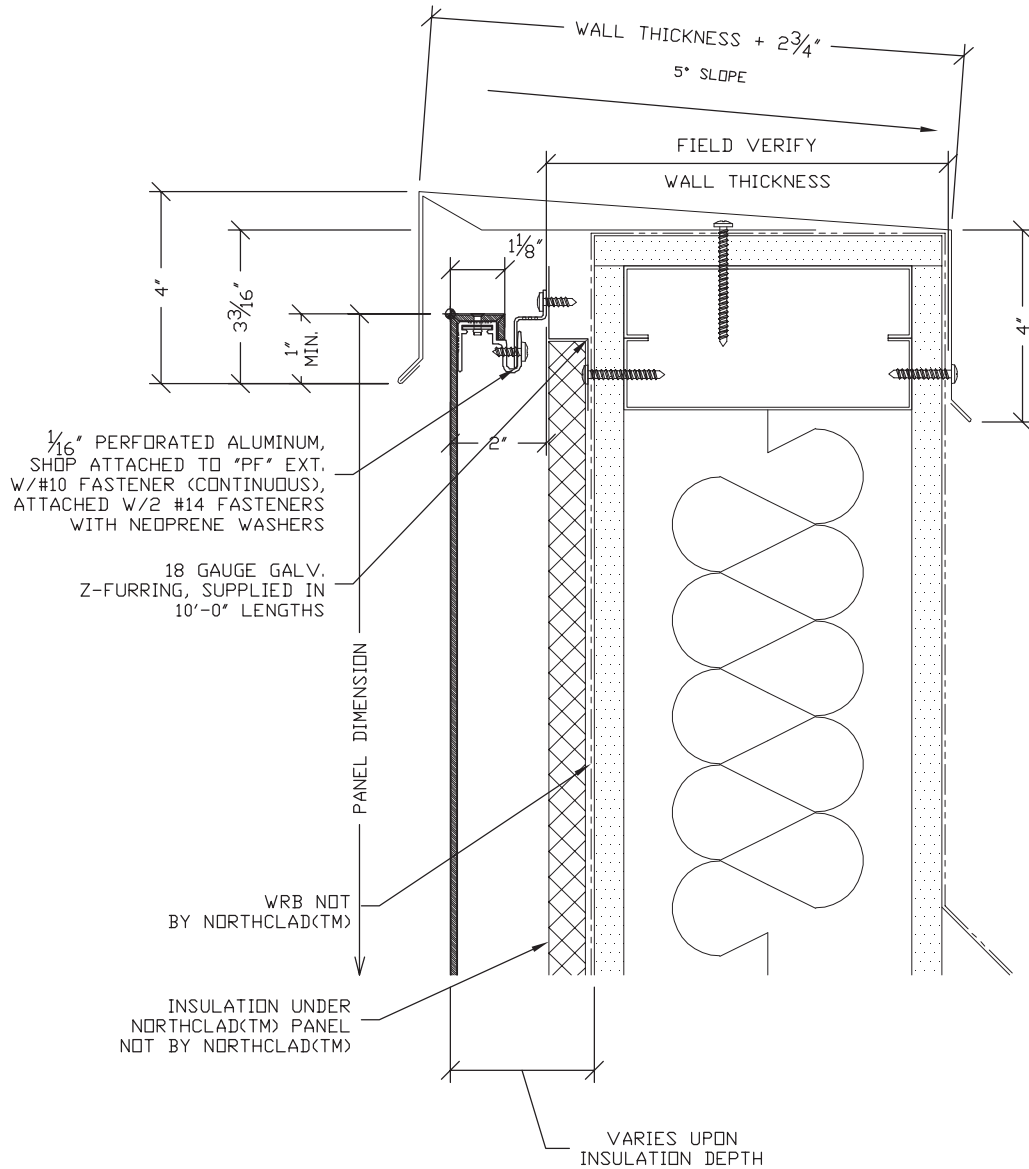
**The ACM Series
With Insulation**



Coping Joint

Scale: 3" = 1' - 0"

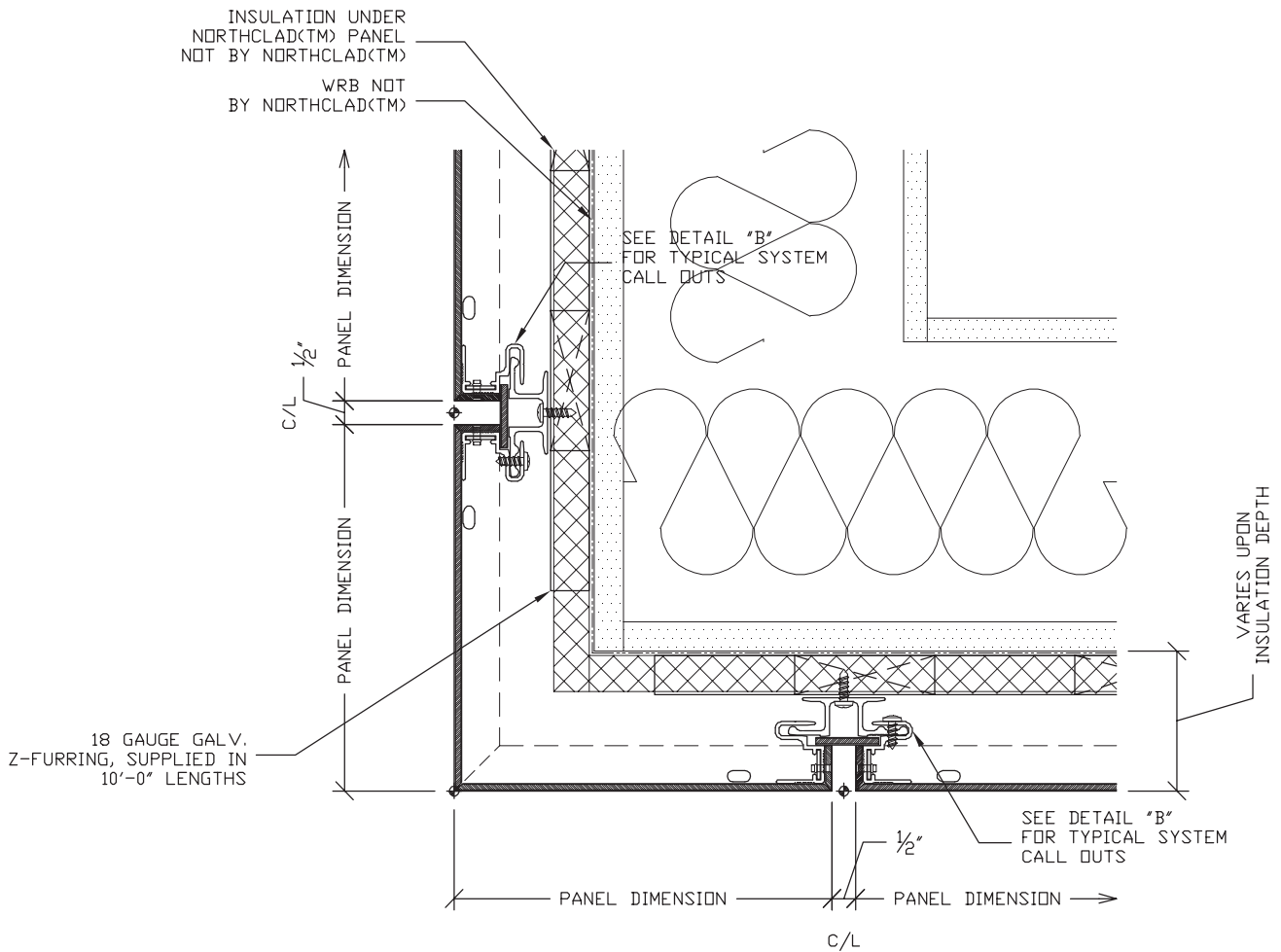
The ACM Series
With Insulation



Sheet Metal Coping

Scale: 3" = 1' - 0"

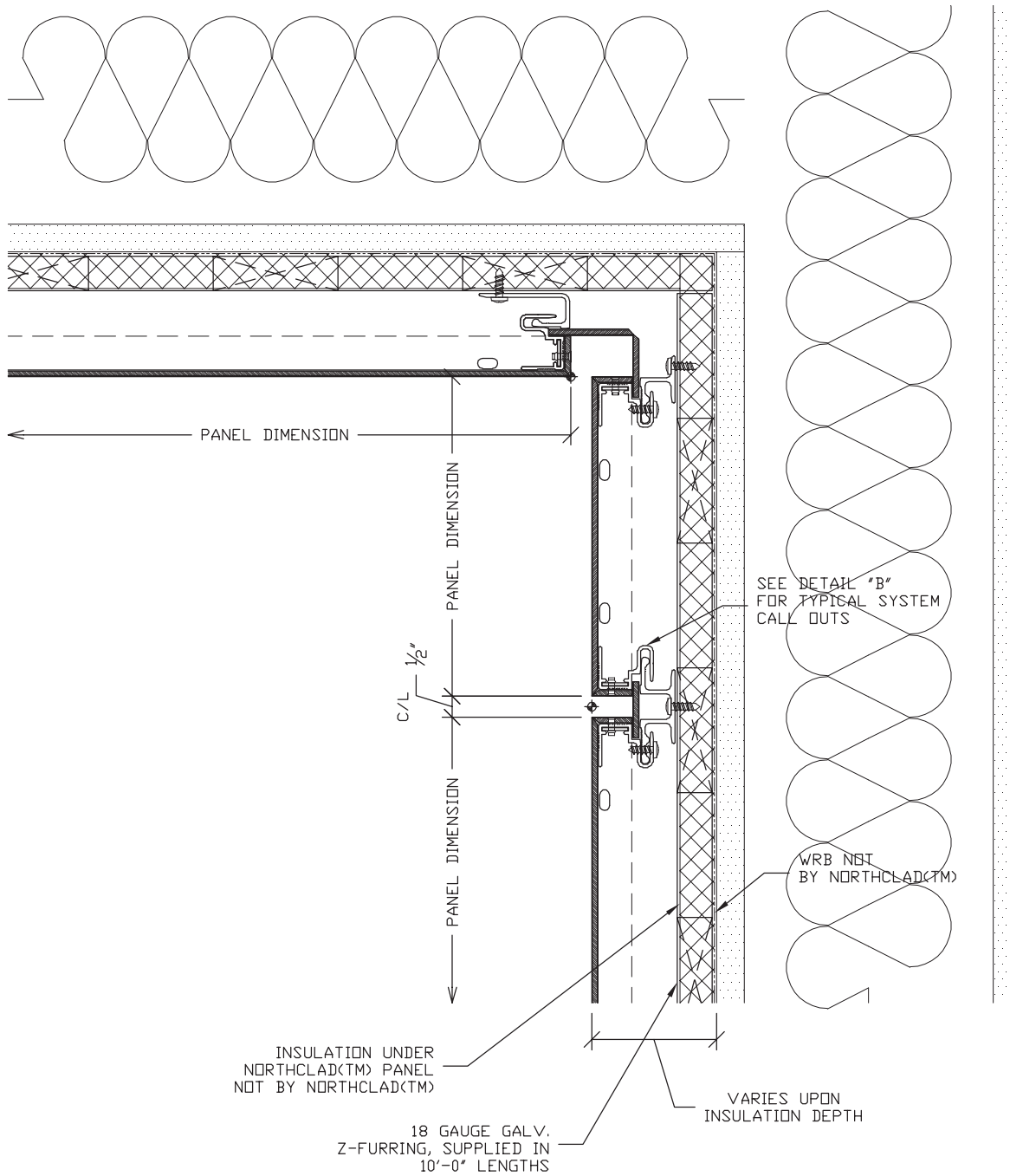
**The ACM Series
With Insulation**



Outside Corner

Scale: 3" = 1' - 0"

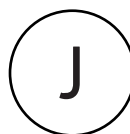
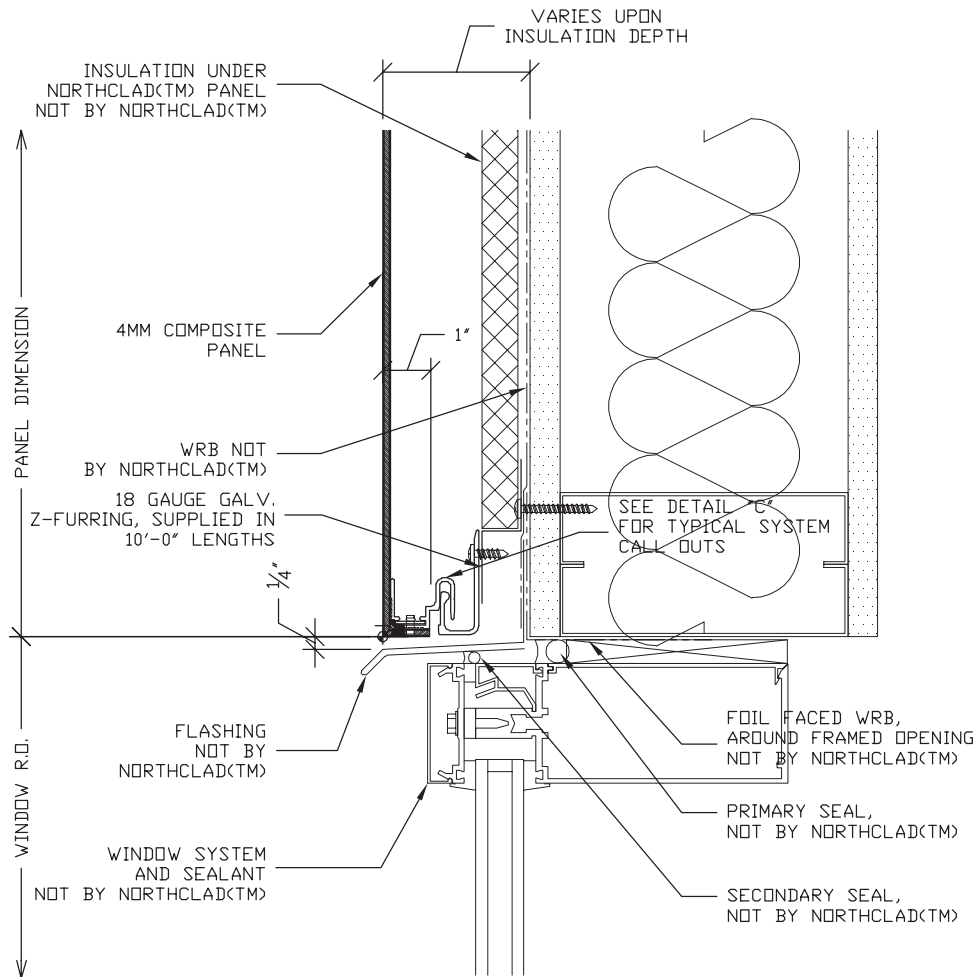
The ACM Series With Insulation



Inside Corner

Scale: 3" = 1' - 0"

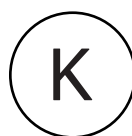
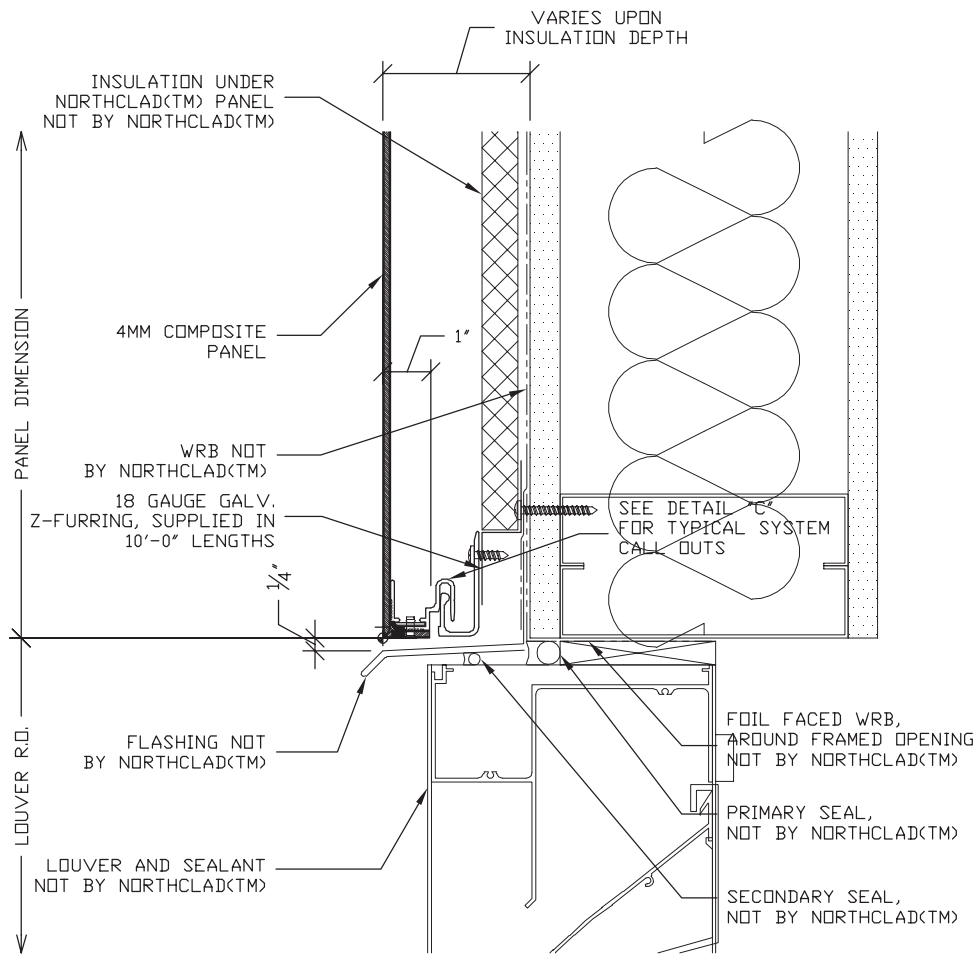
**The ACM Series
With Insulation**



Window Head

Scale: 3" = 1' - 0"

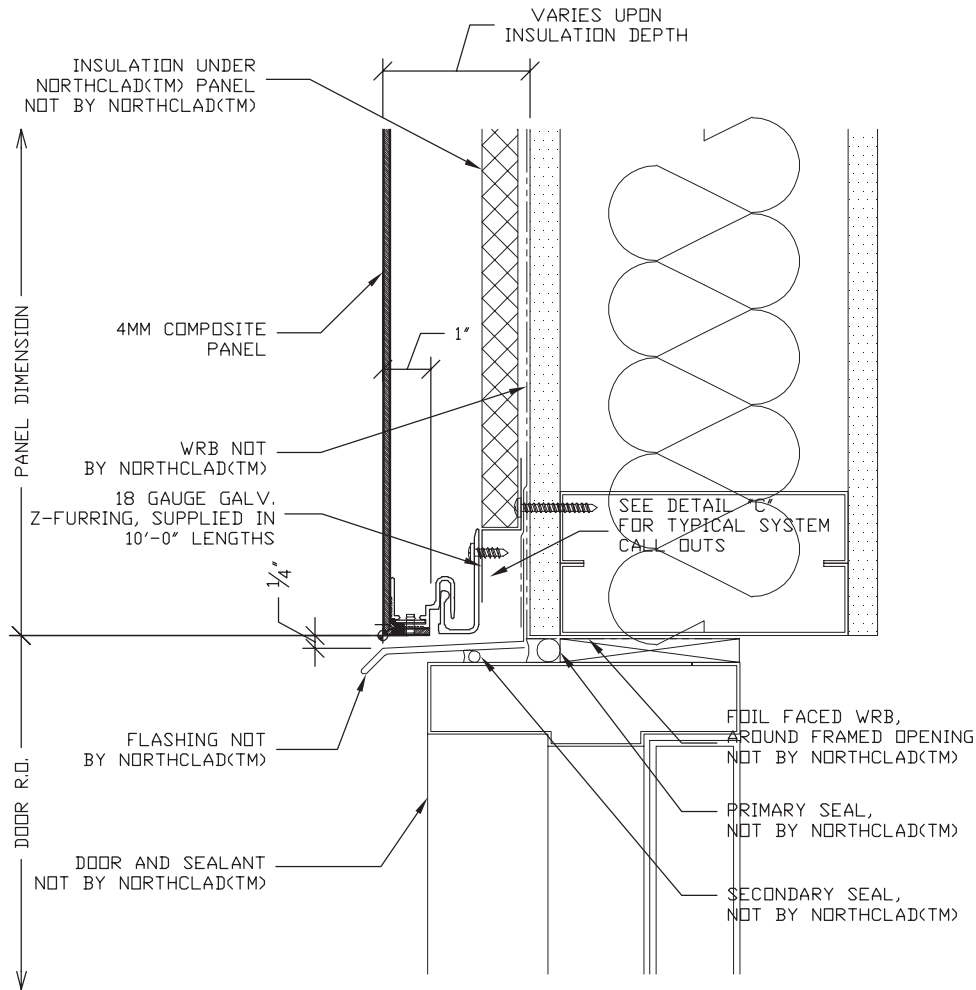
**The ACM Series
With Insulation**



Louver Head

Scale: 3" = 1' - 0"

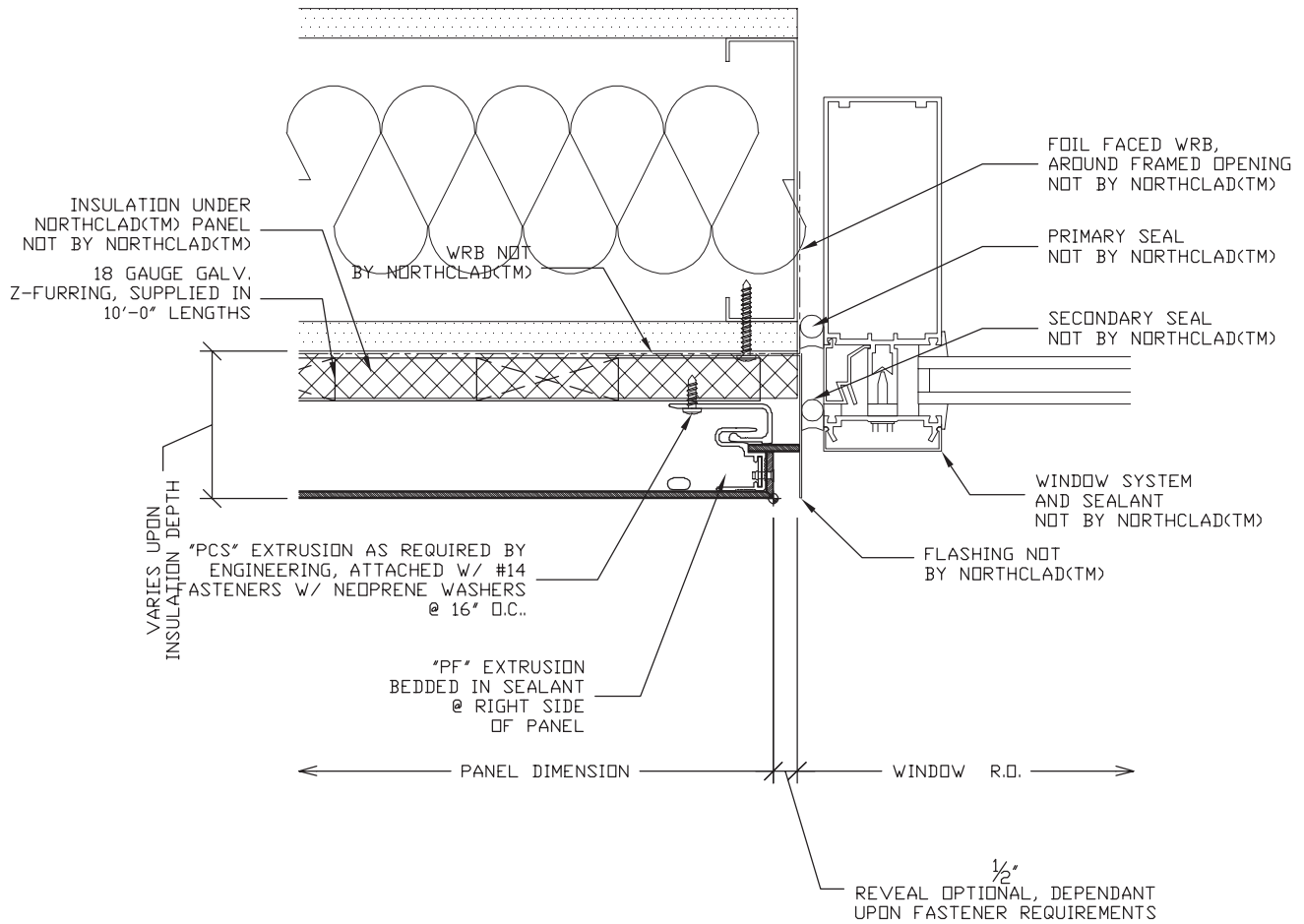
**The ACM Series
With Insulation**



Door Head

Scale: 3" = 1' - 0"

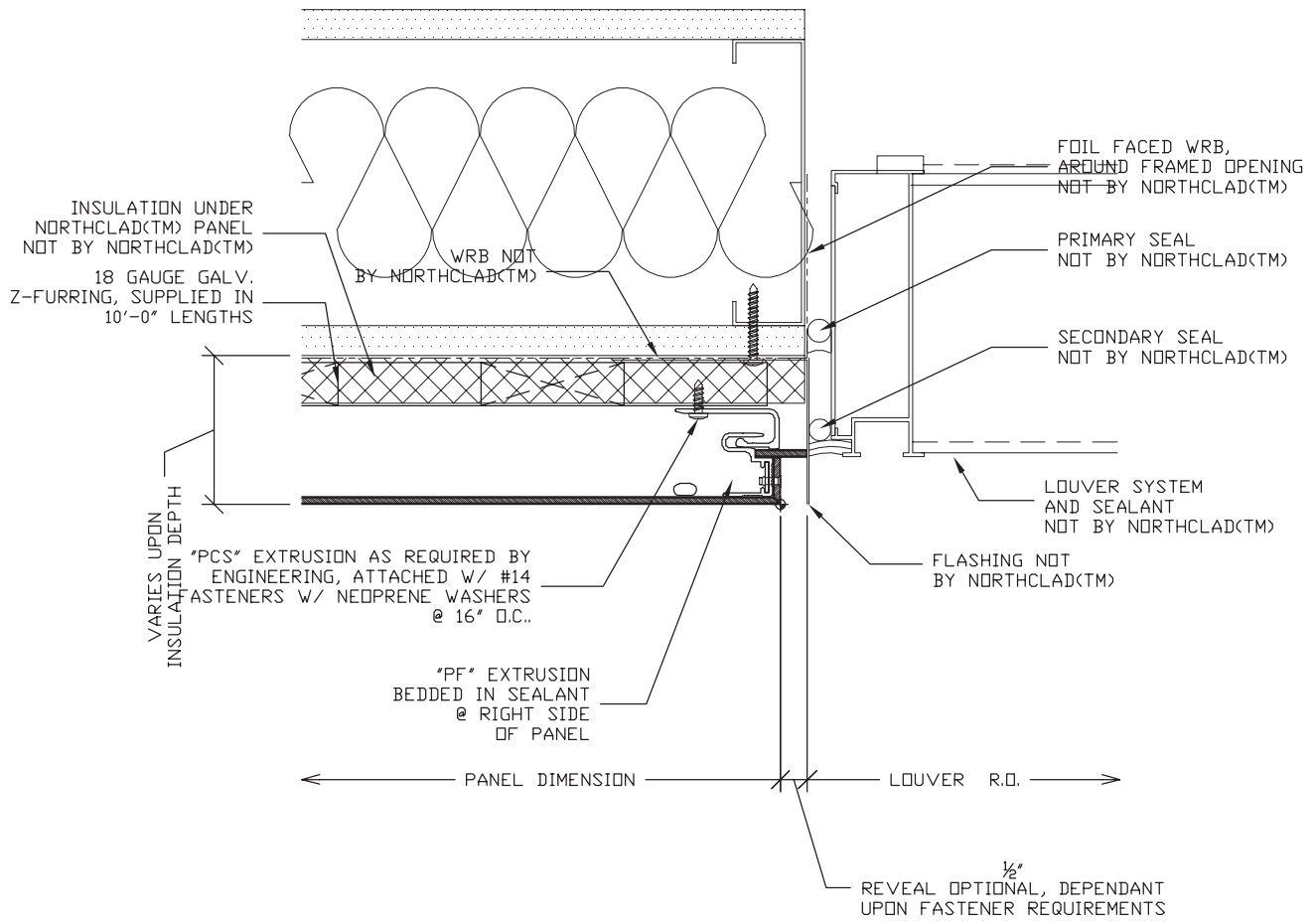
**The ACM Series
With Insulation**



Window Jamb Left

Scale: 3" = 1' - 0"

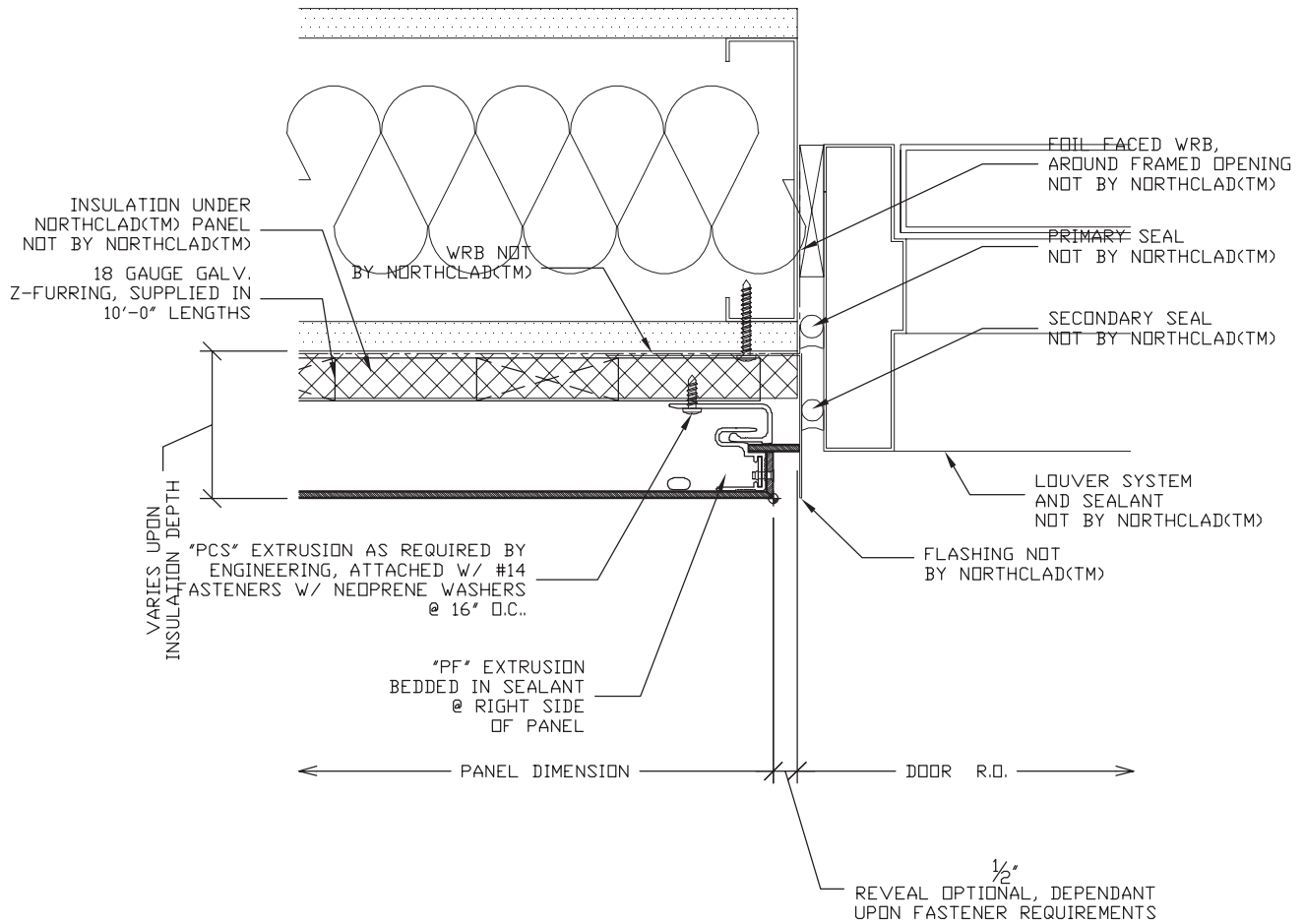
**The ACM Series
With Insulation**



Louver Jamb Left

Scale: 3" = 1' - 0"

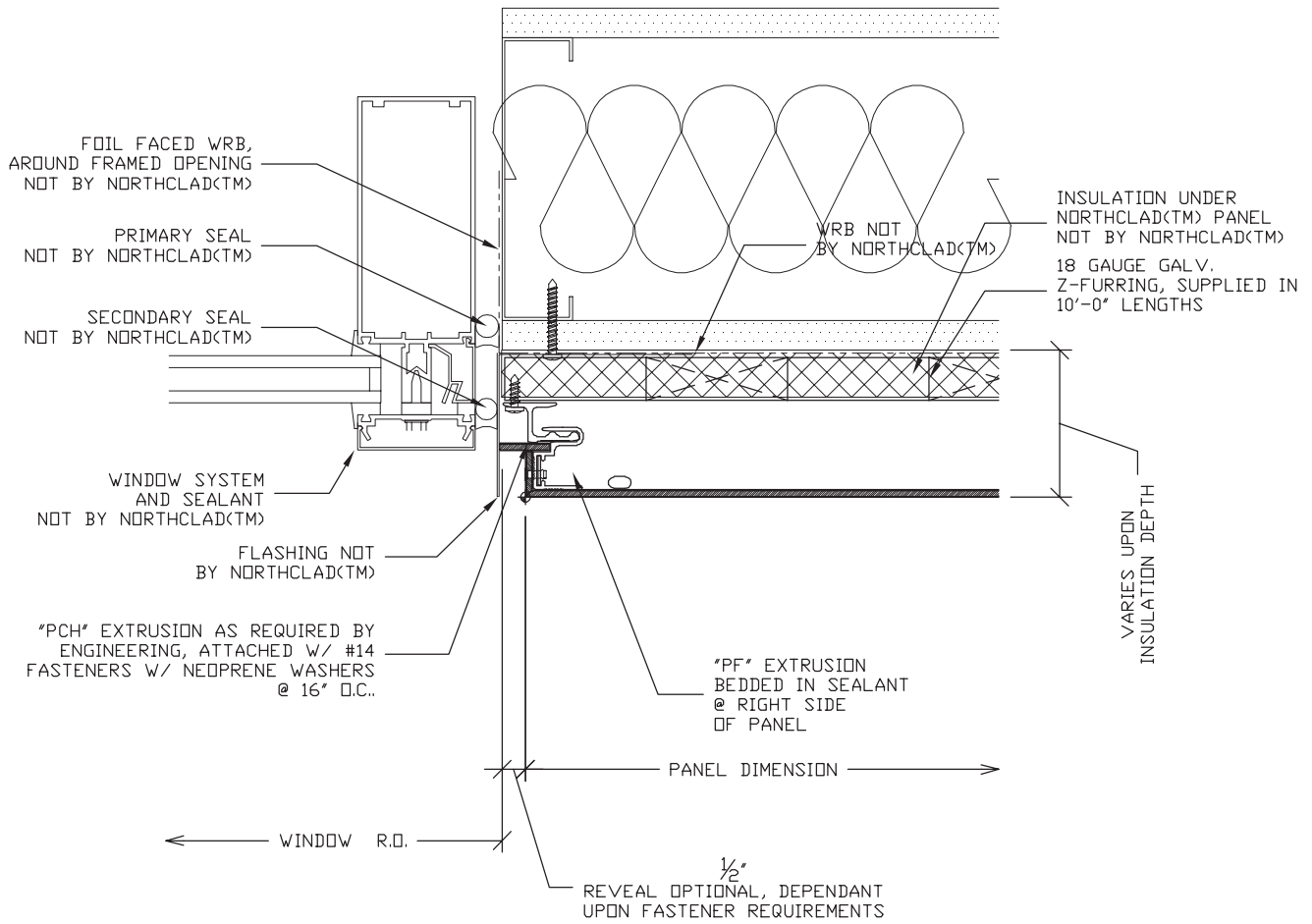
**The ACM Series
With Insulation**



Door Jamb Left

Scale: 3" = 1' - 0"

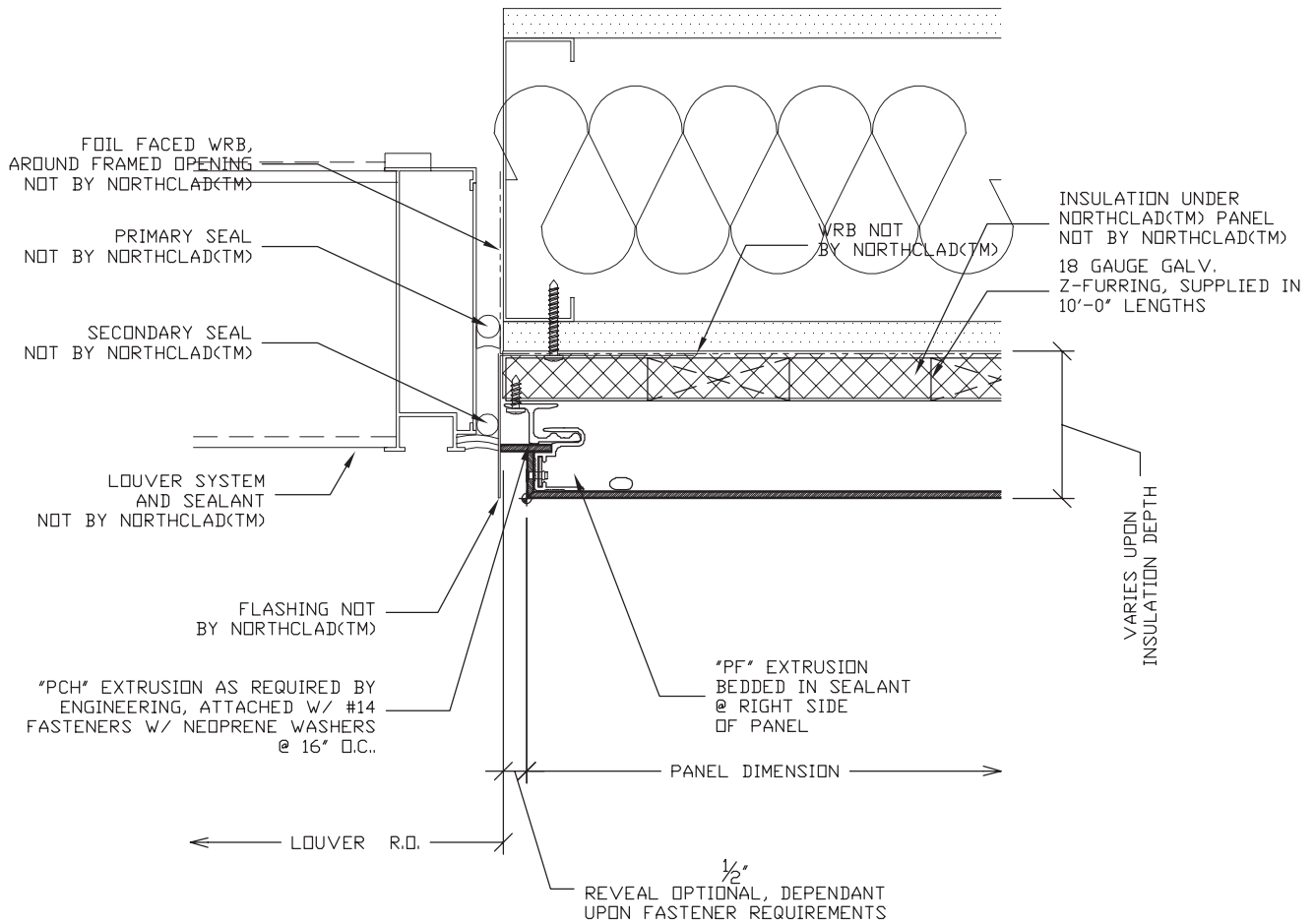
**The ACM Series
With Insulation**



Window Jamb Right

Scale: 3" = 1' - 0"

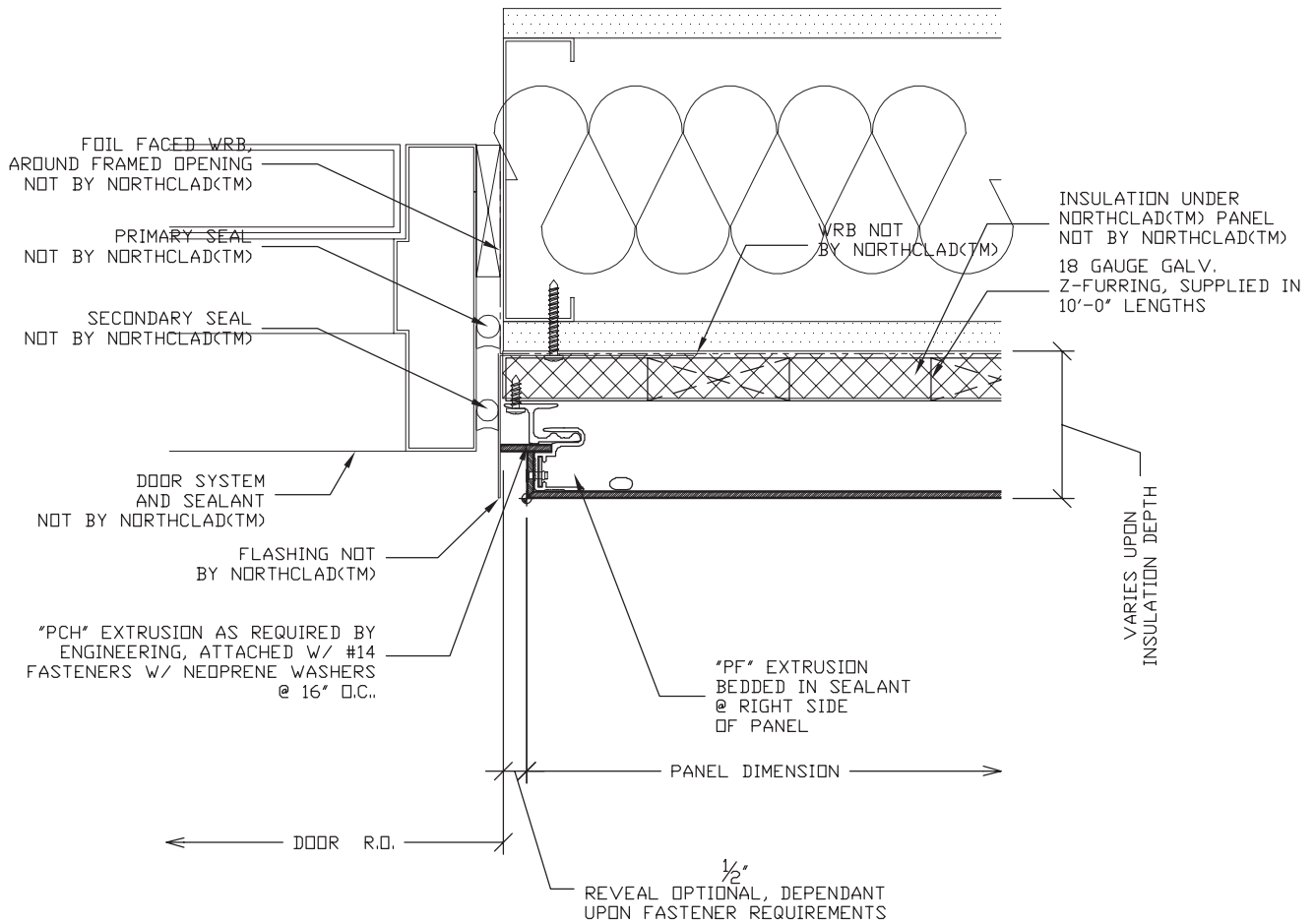
**The ACM Series
With Insulation**



Louver Jamb Right

Scale: 3" = 1' - 0"

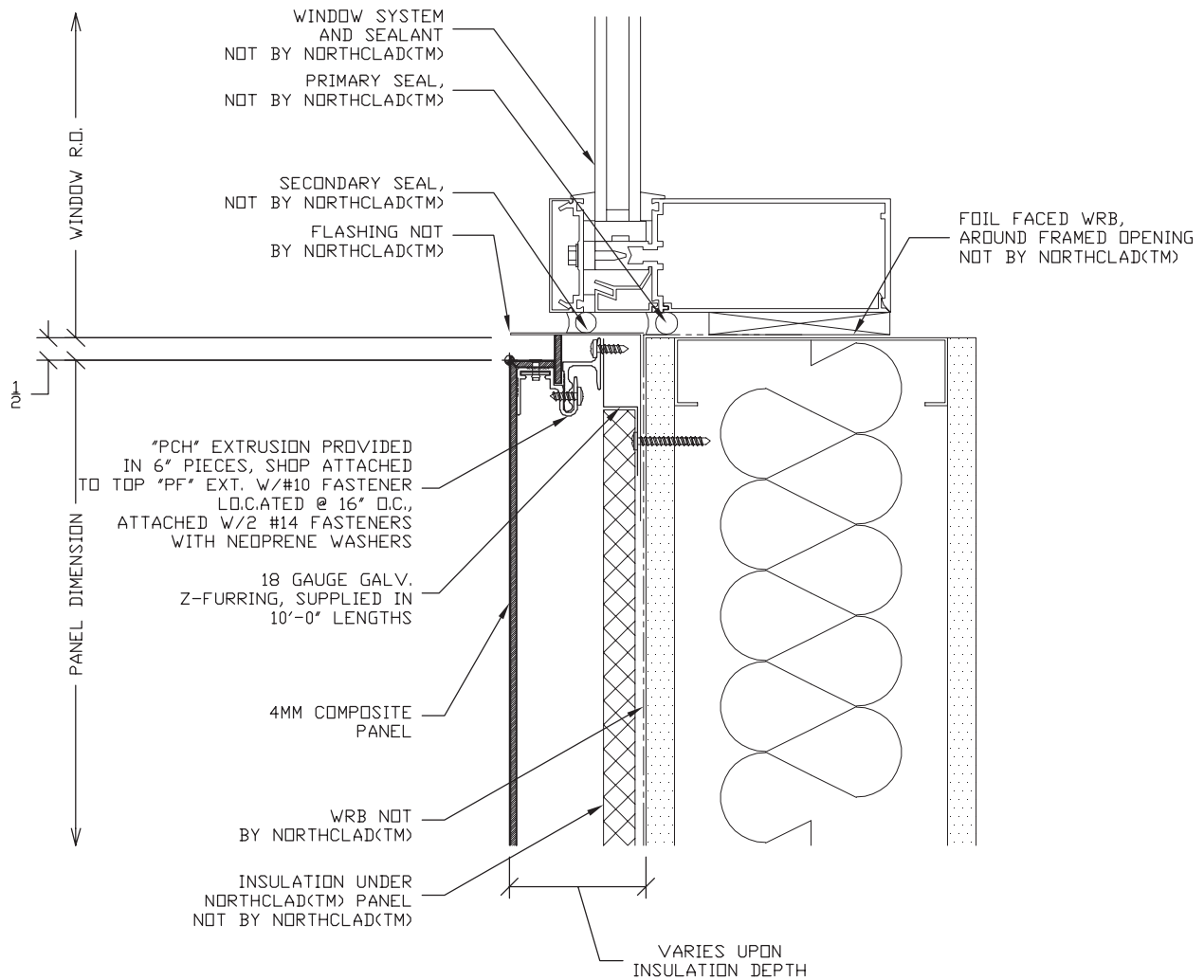
**The ACM Series
With Insulation**



Door Jamb Right

Scale: 3" = 1' - 0"

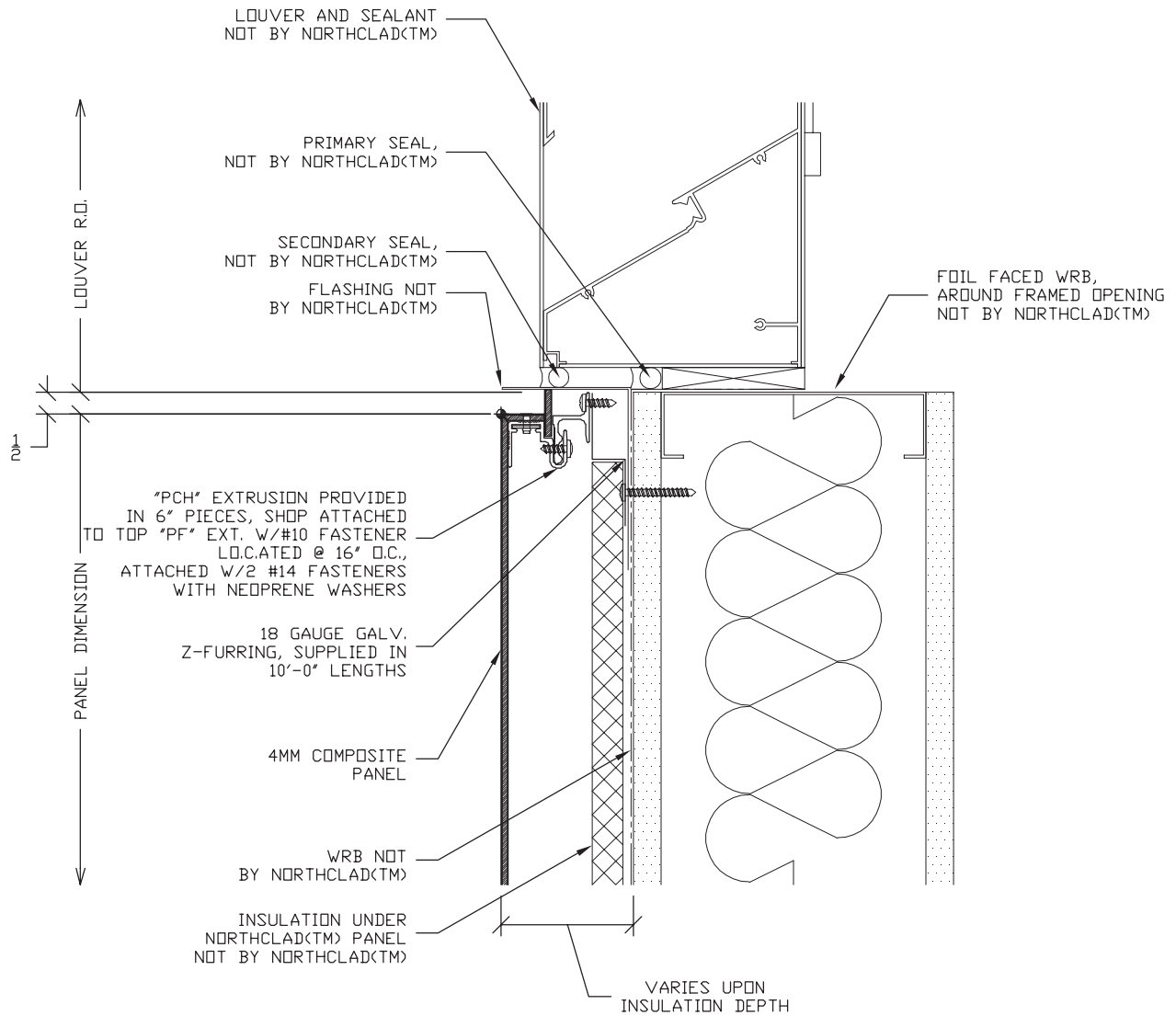
**The ACM Series
With Insulation**



Window Sill

Scale: 3" = 1' - 0"

**The ACM Series
With Insulation**



Louver Sill

Scale: 3" = 1' - 0"