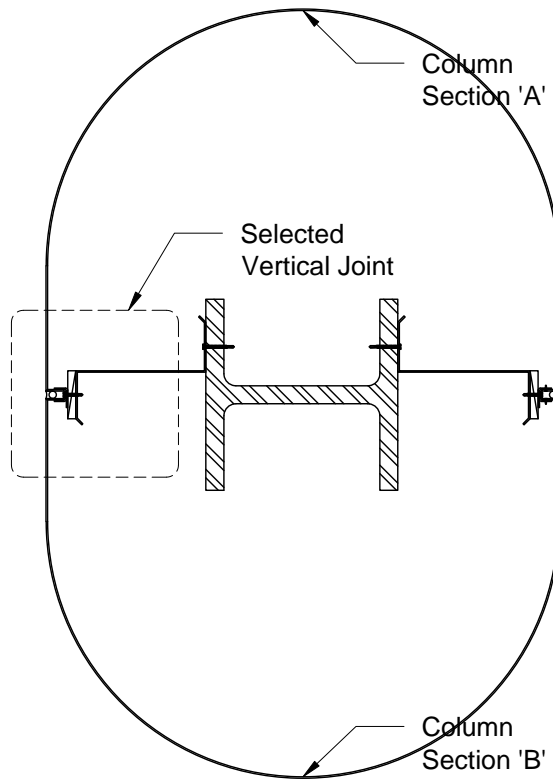
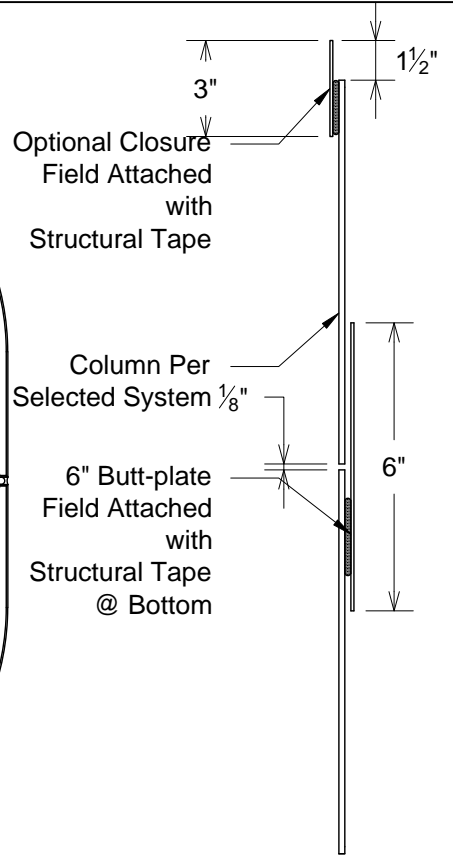


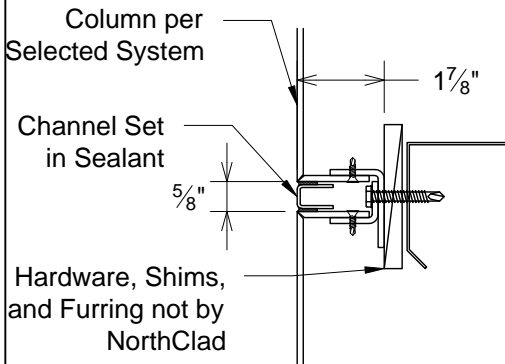
A Column Elevation



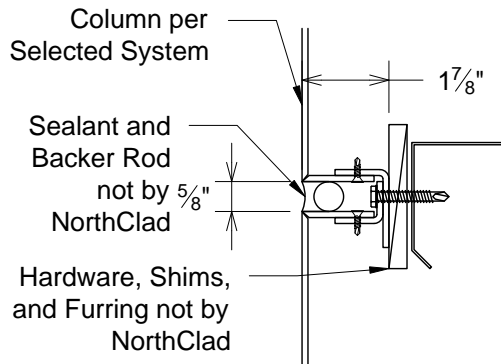
B Column Plan



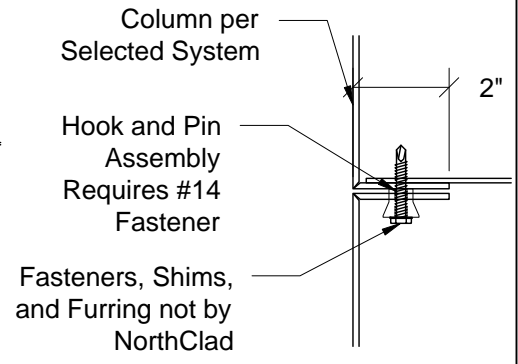
C Column Section



D1 Reveal Joint



D2 Caulking Joint



D3 Hook and Pin Joint

02 Oval Column
DET NorthClad CL System



11831 BEVERLY PARK RD. BUILDING C, EVERETT, WA 98204
* PHONE: 425.740.3702 * FAX: 425.740.3701 *
www.northclad.com

This document is property of NorthClad and should not be used, duplicated or modified without the express written consent. Copyright © 2010 NorthClad All Rights Reserved

NO.	DESCRIPTION	DATE	INIT.
1	Design	05/24/2016	M E
2			
3			
4			
5			
6			
7			
8			
9			
10			

Project

NorthClad CL System Details

11831 Beverly Park Rd, Bldg C
Everett, WA 98204

Sheet Title	DET
Scale	3" = 1'-0"
Job Number	NC0001
Sheet	02
APPROVED	