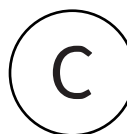
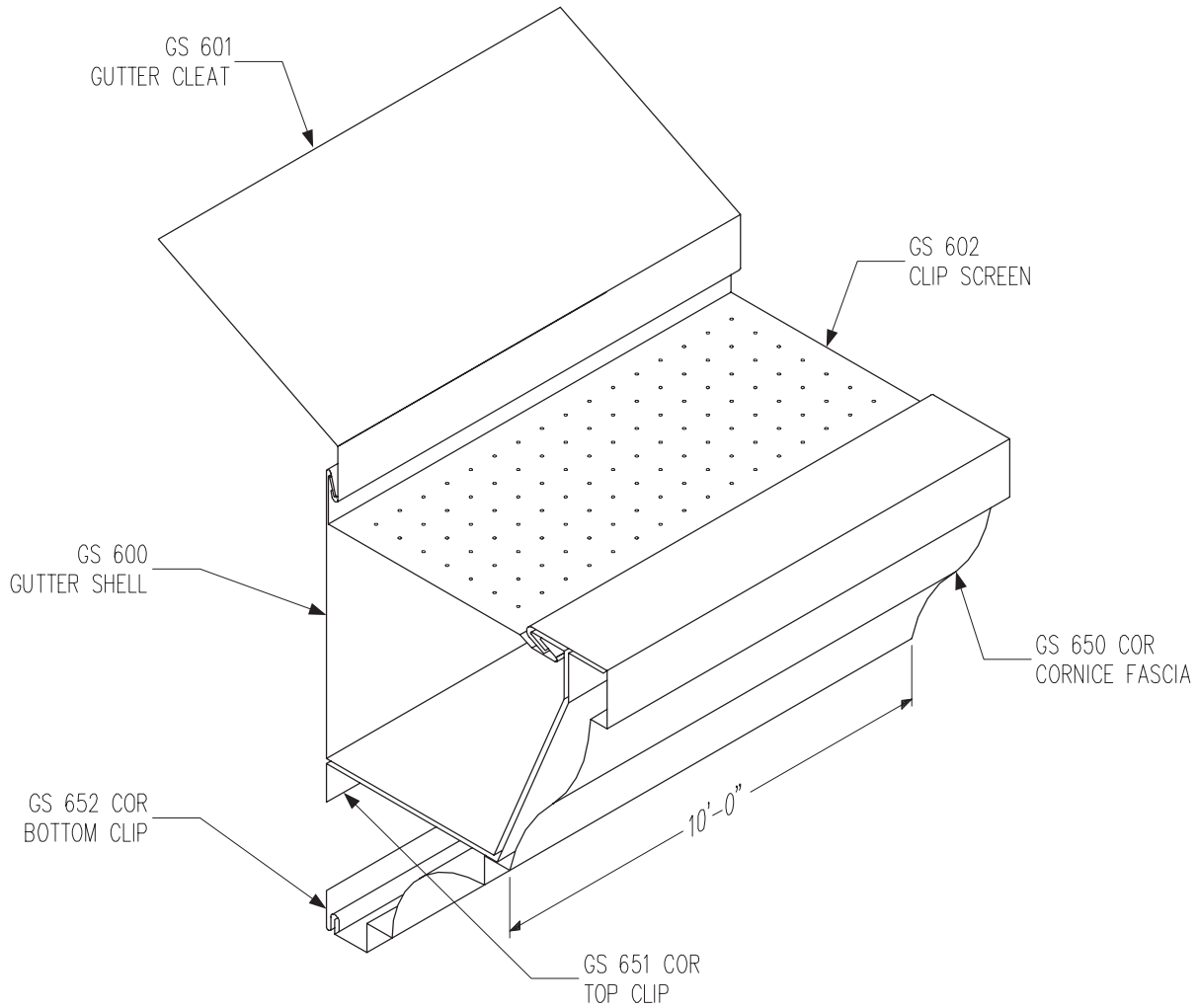


The Gs 600 Series



Cornice and Gutter Assembly

Scale: 3" = 1' - 0"