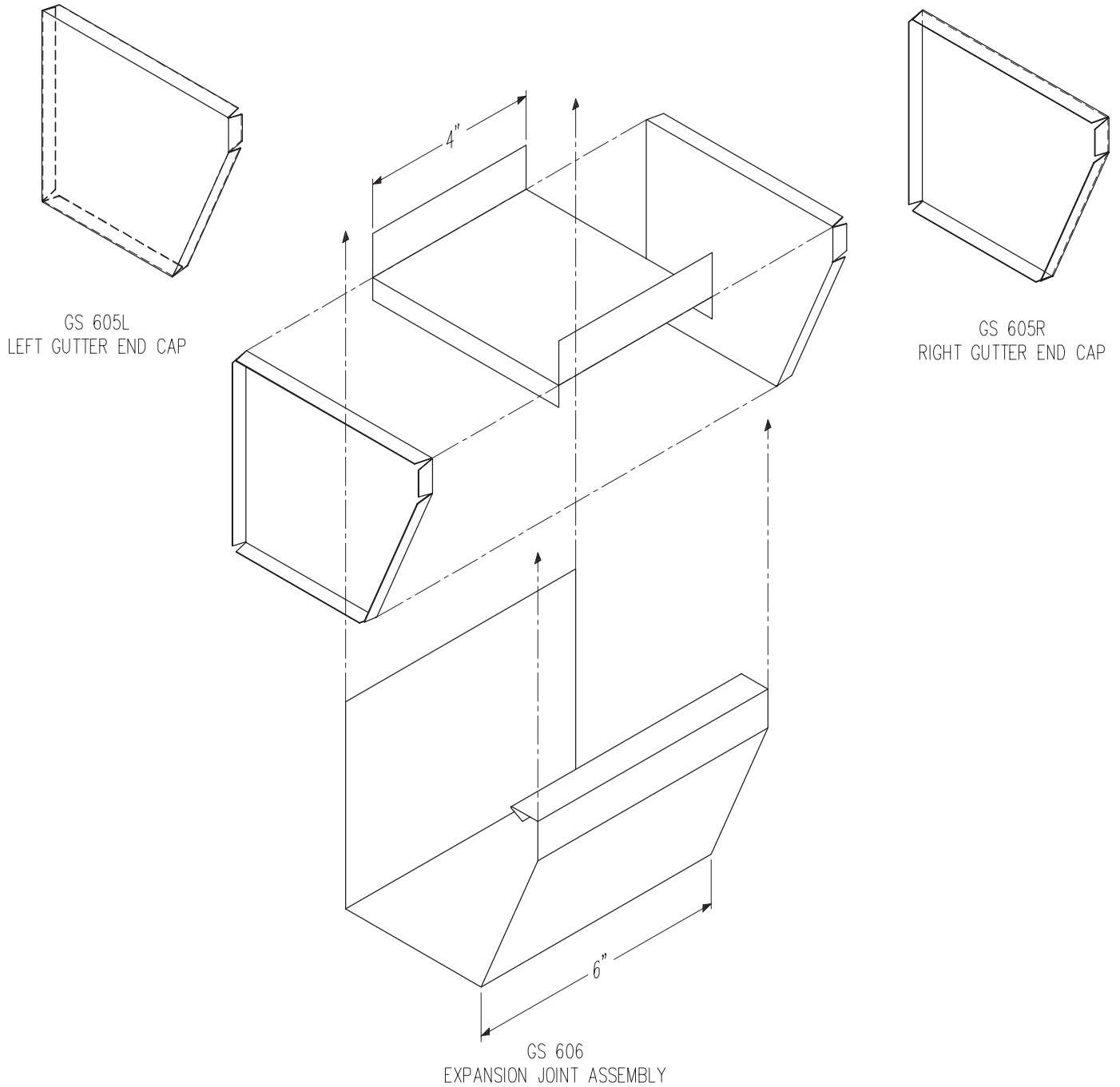


The Gs 600 Series



Expansion Joint Assembly

Scale: 3" = 1' - 0"