

Key
Elev

 Key Elevation
 NorthClad Standard



11831 BEVERLY PARK RD. BUILDING C, EVERETT, WA 98204
 * PHONE: 425.740.3702 * FAX: 425.740.3701 *
 www.northclad.com

This document is property of NorthClad and should not be used, duplicated or modified without the express written consent. Copyright © 2010 NorthClad All Rights Reserved

NO.	DESCRIPTION	DATE	INIT.
1	Design	04/07/2014	M E
2			
3			
4			
5			
6			
7			
8			
9			
10			

Project

NorthClad ACM Panel Standard Details

Sheet Title **DET**

Scale

Job Number

Sheet

Key Elev

APPROVED

Index

- A. Section - Horizontal Joint
- B. Plan - Vertical Joint
- C. Section - Base of Wall
- D. Section - Composite Coping
- E. Isometric - Composite Coping Splice
- F. Section - Formed Coping
- G1. Plan - Outside Corner
- H1. Plan - Inside Corner
- J1. Section - Window Head
- J2. Section - Louver Head
- J3. Section - Door Head
- K1. Plan - Window at Left Jamb
- K2. Plan - Louver at Left Jamb
- K3. Plan - Door at Left Jamb
- M1. Plan - Window at Right Jamb
- M2. Plan - Louver at Right Jamb
- M3. Plan - Door at Right Jamb
- N1. Section - Window Sill
- N2. Section - Louver Sill
- P1. Section - Fascia to Soffit
- P2. Section - Fascia to Soffit
- Q1. Section - Soffit at Top of Wall



11831 BEVERLY PARK RD. BUILDING C, EVERETT, WA 98204
 * PHONE: 425.740.3702 * FAX: 425.740.3701 *
 www.northclad.com

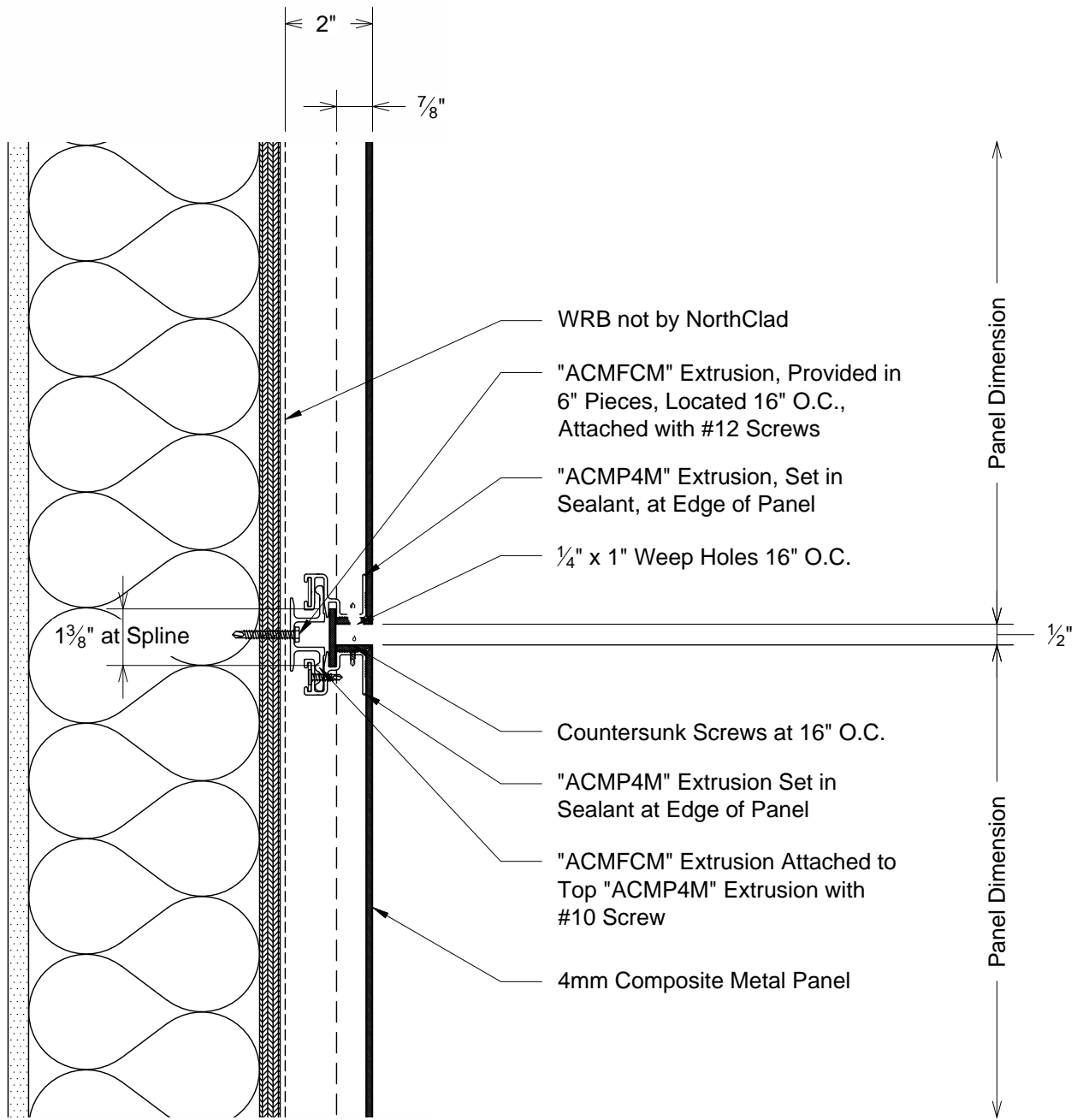
This document is property of NorthClad and should not be used, duplicated or modified without the express written consent. Copyright © 2010 NorthClad All Rights Reserved

NO.	DESCRIPTION	DATE	INIT.
1	Design	04/07/2014	M E
2			
3			
4			
5			
6			
7			
8			
9			
10			

Project

**NorthClad ACM
 Panel Standard
 Details**

Sheet Title	DET
Scale	
Job Number	
Sheet	Index
APPROVED	



A Section - Horizontal Joint
DET



11831 BEVERLY PARK RD. BUILDING C, EVERETT, WA 98204
* PHONE: 425.740.3702 * FAX: 425.740.3701 *
www.northclad.com

This document is property of NorthClad and should not be used, duplicated or modified without the express written consent. Copyright © 2010 NorthClad All Rights Reserved

NO.	DESCRIPTION	DATE	INIT.
1	Design	04/07/2014	M E
2			
3			
4			
5			
6			
7			
8			
9			
10			

Project

NorthClad ACM Panel Standard Details

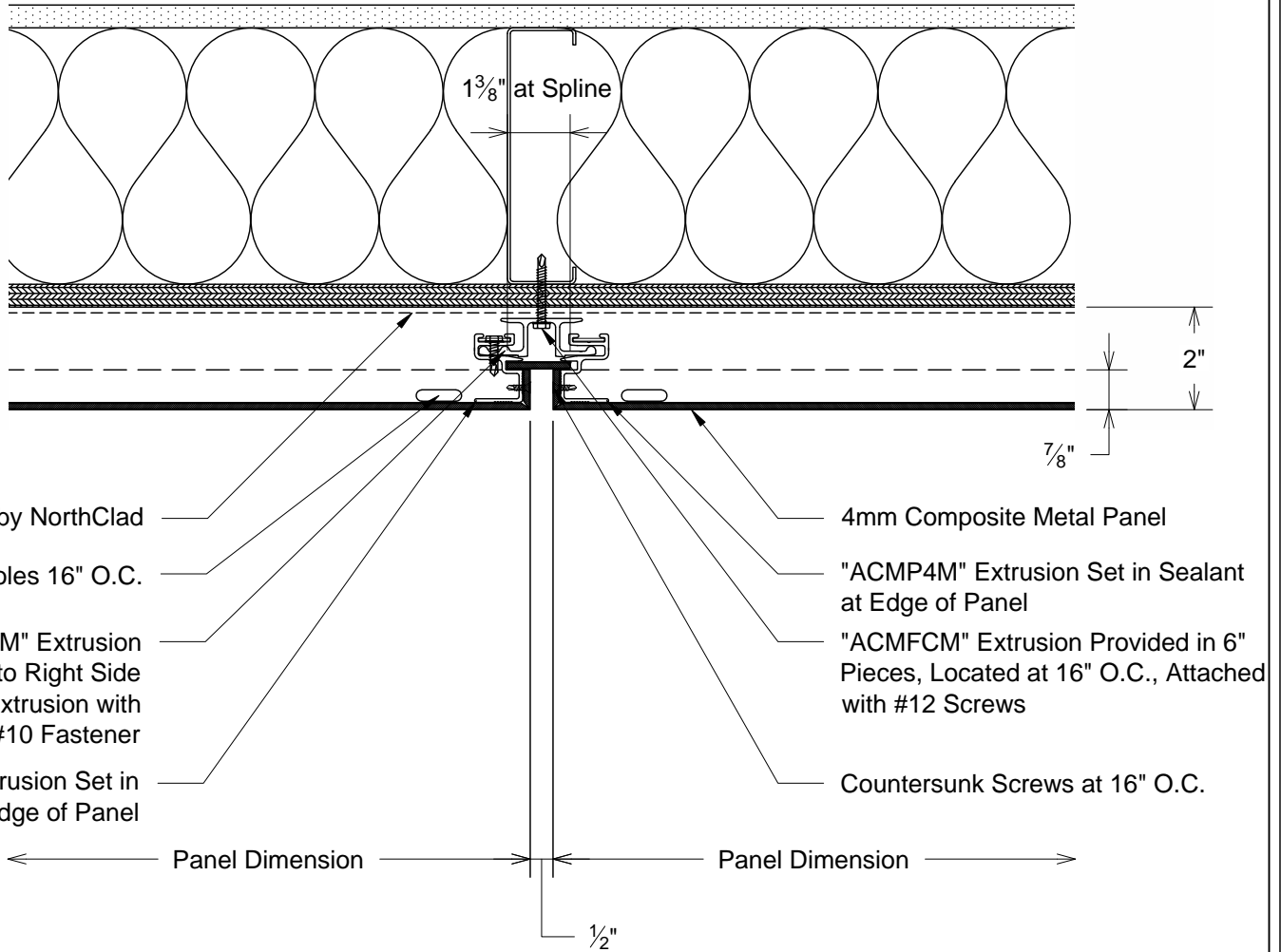
Sheet Title **DET**

Scale **3" = 1'-0"**

Job Number

Sheet **DET A**

APPROVED



B Plan - Vertical Joint
DET



11831 BEVERLY PARK RD. BUILDING C, EVERETT, WA 98204
* PHONE: 425.740.3702 * FAX: 425.740.3701 *
www.northclad.com

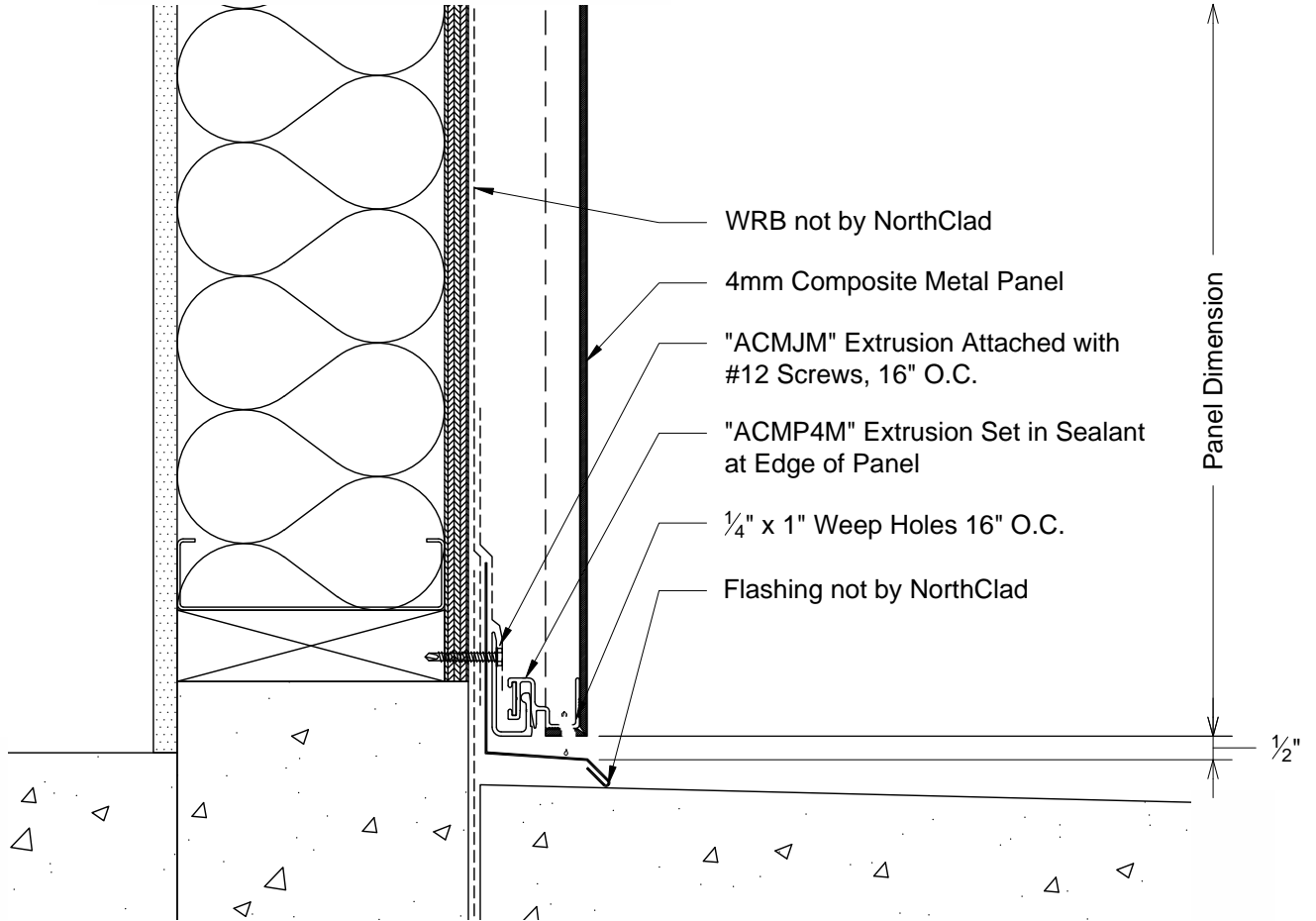
This document is property of NorthClad and should not be used, duplicated or modified without the express written consent. Copyright © 2010 NorthClad All Rights Reserved

NO.	DESCRIPTION	DATE	INIT.
1	Design	04/07/2014	M E
2			
3			
4			
5			
6			
7			
8			
9			
10			

Project

NorthClad ACM Panel Standard Details

Sheet Title	DET
Scale	3" = 1'-0"
Job Number	
Sheet	DET B
APPROVED	



C Section - Base of Wall
DET



11831 BEVERLY PARK RD. BUILDING C, EVERETT, WA 98204
 * PHONE: 425.740.3702 * FAX: 425.740.3701 *
 www.northclad.com

This document is property of NorthClad and should not be used, duplicated or modified without the express written consent. Copyright © 2010 NorthClad All Rights Reserved

NO.	DESCRIPTION	DATE	INIT.
1	Design	04/07/2014	M E
2			
3			
4			
5			
6			
7			
8			
9			
10			

Project

NorthClad ACM Panel Standard Details

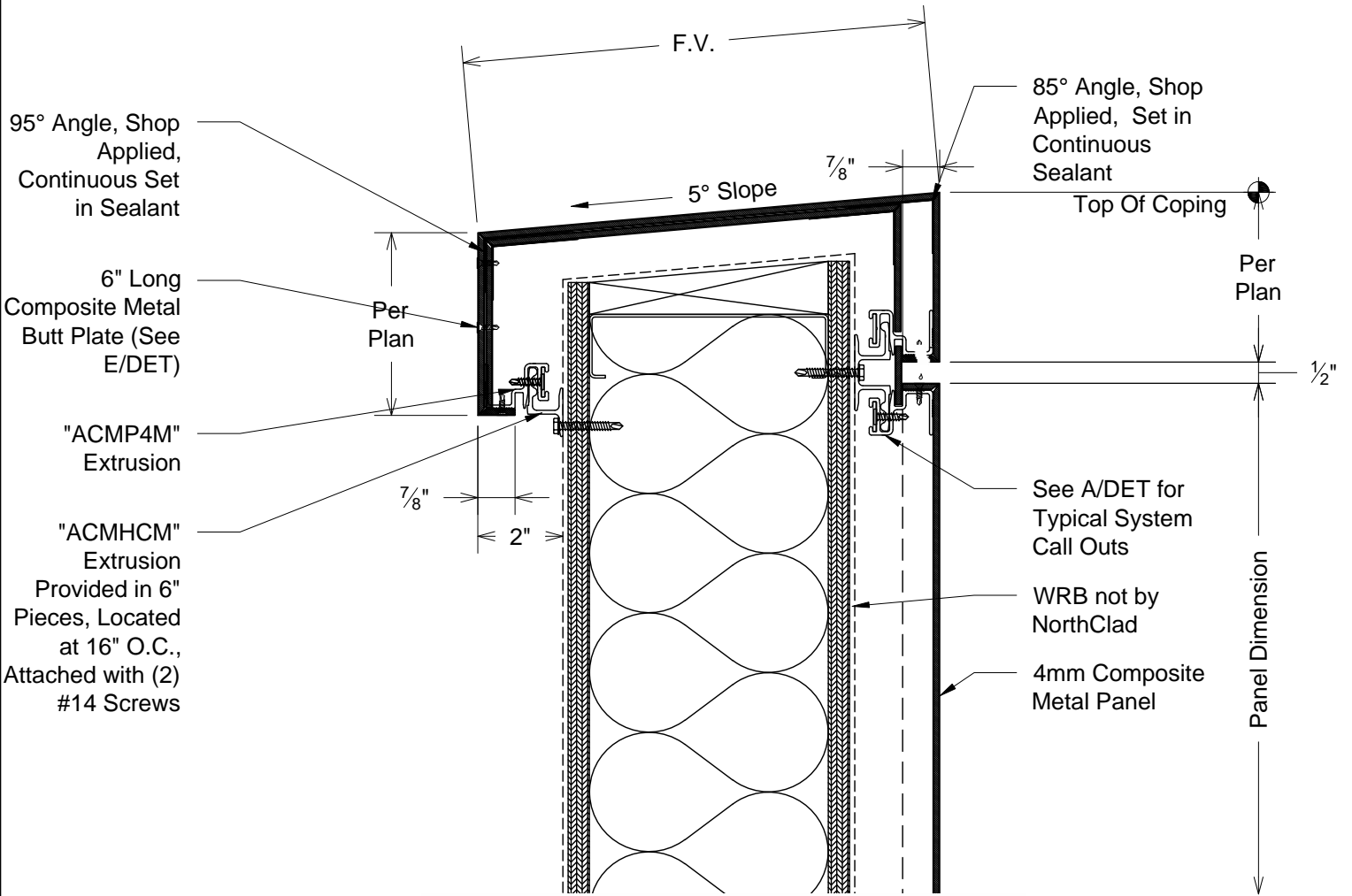
Sheet Title **DET**

Scale **3" = 1'-0"**

Job Number

Sheet **DET C**

APPROVED



D Section - Composite Coping
DET



11831 BEVERLY PARK RD. BUILDING C, EVERETT, WA 98204
* PHONE: 425.740.3702 * FAX: 425.740.3701 *
www.northclad.com

This document is property of NorthClad and should not be used, duplicated or modified without the express written consent. Copyright © 2010 NorthClad All Rights Reserved

NO.	DESCRIPTION	DATE	INIT.
1	Design	04/07/2014	M E
2			
3			
4			
5			
6			
7			
8			
9			
10			

Project

NorthClad ACM Panel Standard Details

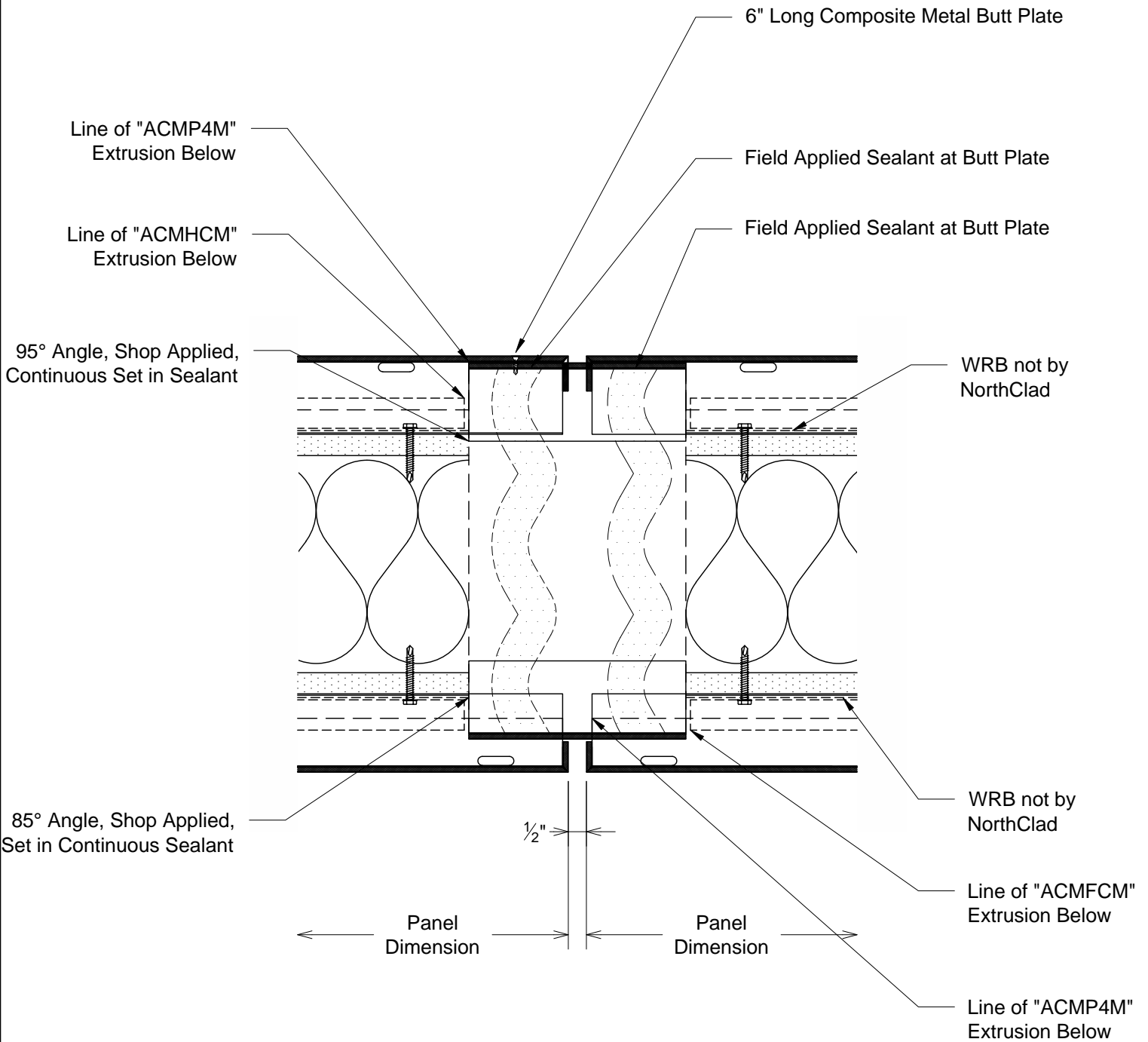
Sheet Title
DET

Scale
3" = 1'-0"

Job Number

Sheet
DET D

APPROVED



E
DET Isometric - Composite Coping Splice



11831 BEVERLY PARK RD. BUILDING C, EVERETT, WA 98204
 * PHONE: 425.740.3702 * FAX: 425.740.3701 *
 www.northclad.com

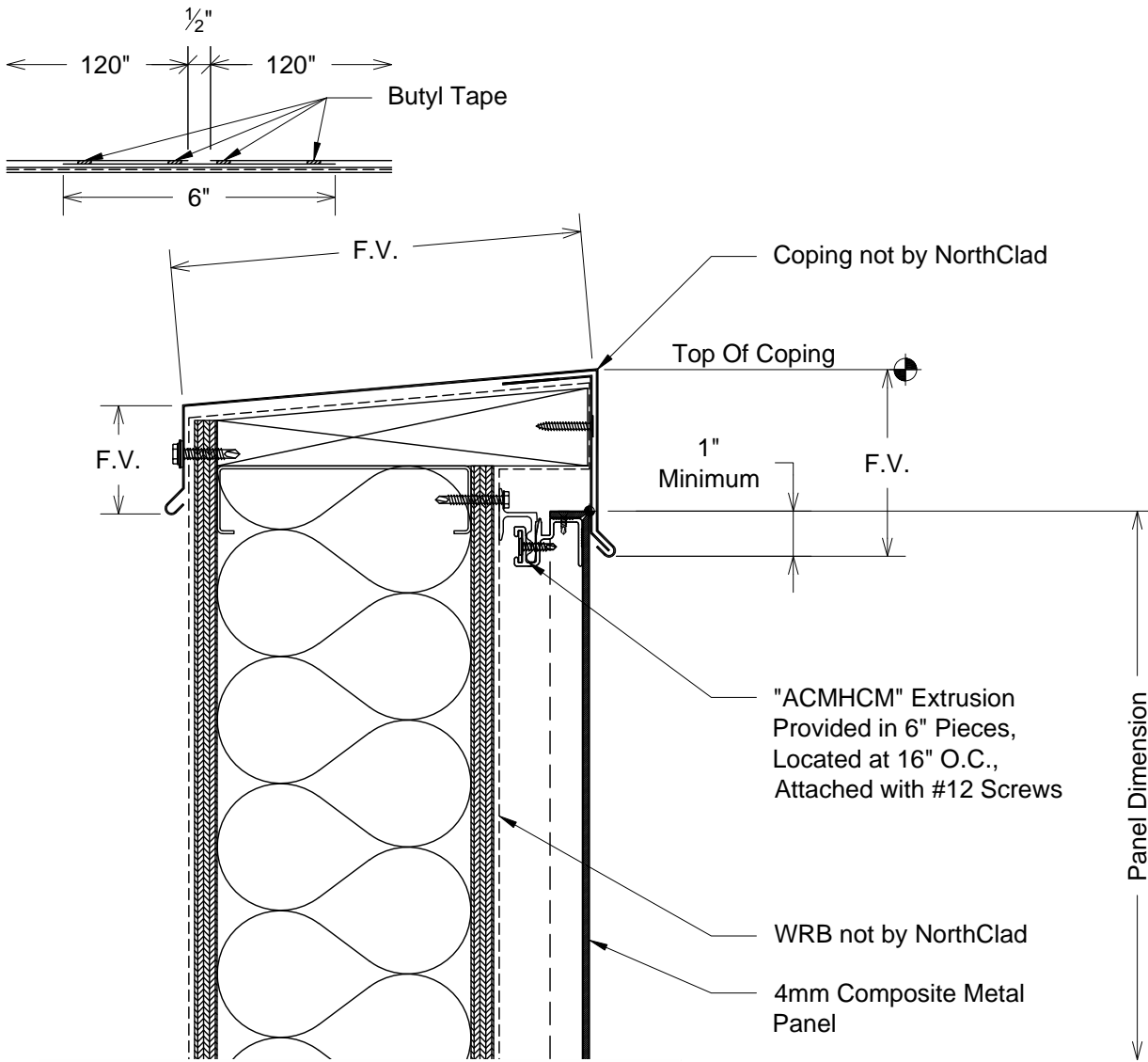
This document is property of NorthClad and should not be used, duplicated or modified without the express written consent. Copyright © 2010 NorthClad All Rights Reserved

NO.	DESCRIPTION	DATE	INIT.
1	Design	04/07/2014	M E
2			
3			
4			
5			
6			
7			
8			
9			
10			

Project

NorthClad ACM Panel Standard Details

Sheet Title	DET
Scale	3" = 1'-0"
Job Number	
Sheet	DET E
APPROVED	



F Section - Formed Coping
DET



11831 BEVERLY PARK RD. BUILDING C, EVERETT, WA 98204
* PHONE: 425.740.3702 * FAX: 425.740.3701 *
www.northclad.com

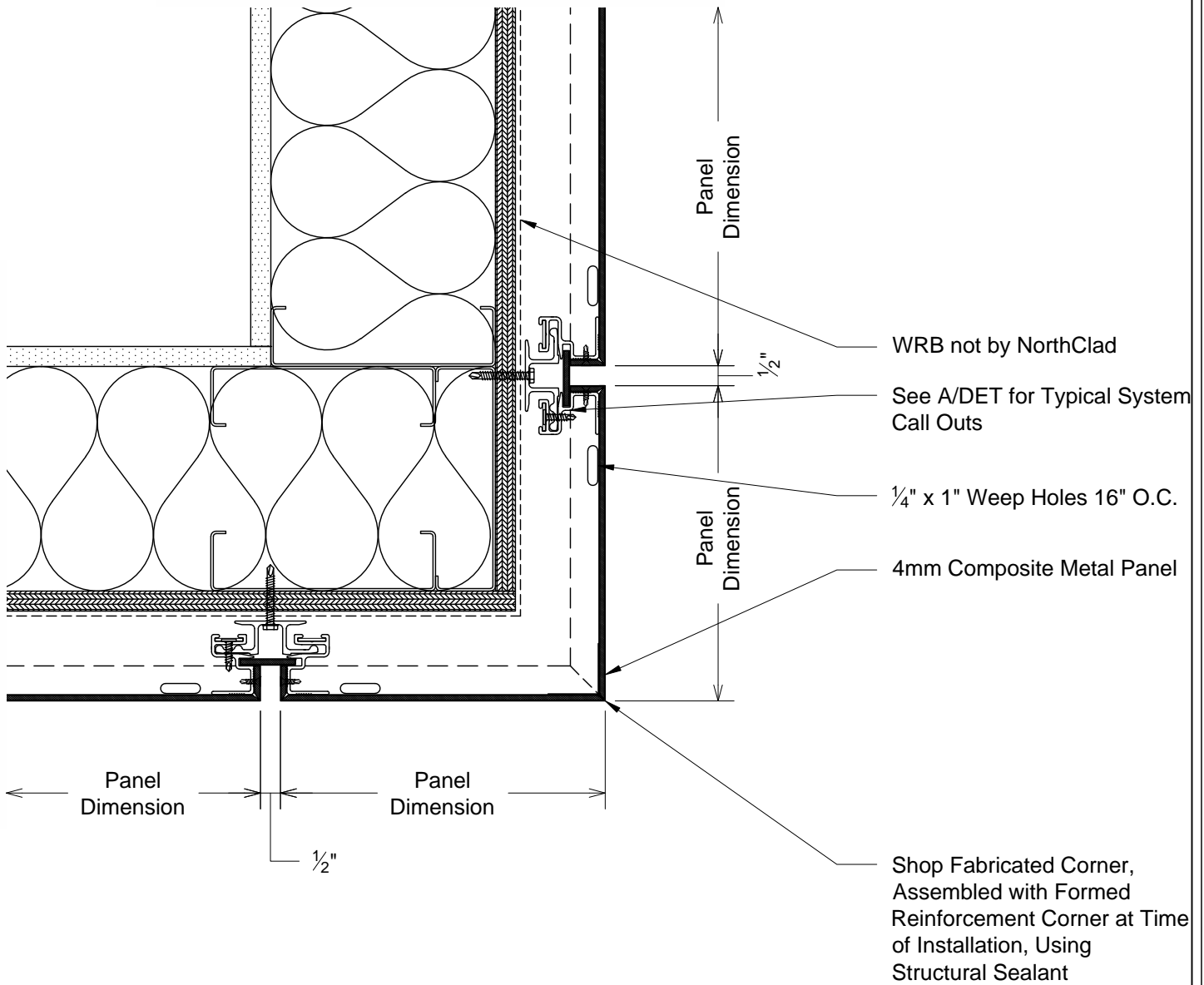
This document is property of NorthClad and should not be used, duplicated or modified without the express written consent. Copyright © 2010 NorthClad All Rights Reserved

NO.	DESCRIPTION	DATE	INIT.
1	Design	04/07/2014	M.E.
2			
3			
4			
5			
6			
7			
8			
9			
10			

Project

NorthClad ACM Panel Standard Details

Sheet Title	DET
Scale	3" = 1'-0"
Job Number	
Sheet	DET F
APPROVED	



G1 Plan - Outside Corner
DET



11831 BEVERLY PARK RD. BUILDING C, EVERETT, WA 98204
* PHONE: 425.740.3702 * FAX: 425.740.3701 *
www.northclad.com

This document is property of NorthClad and should not be used, duplicated or modified without the express written consent. Copyright © 2010 NorthClad All Rights Reserved

NO.	DESCRIPTION	DATE	INIT.
1	Design	04/07/2014	M E
2			
3			
4			
5			
6			
7			
8			
9			
10			

Project

NorthClad ACM Panel Standard Details

Sheet Title	DET
Scale	3" = 1'-0"
Job Number	
Sheet	DET G1
APPROVED	

G2
DET

Detail not in Use



11831 BEVERLY PARK RD. BUILDING C, EVERETT, WA 98204
 * PHONE: 425.740.3702 * FAX: 425.740.3701 *
 www.northclad.com

This document is property of NorthClad and should not be used, duplicated or modified without the express written consent. Copyright © 2010 NorthClad All Rights Reserved

NO.	DESCRIPTION	DATE	INIT.
1	Design	04/07/2014	M E
2			
3			
4			
5			
6			
7			
8			
9			
10			

Project

NorthClad ACM Panel Standard Details

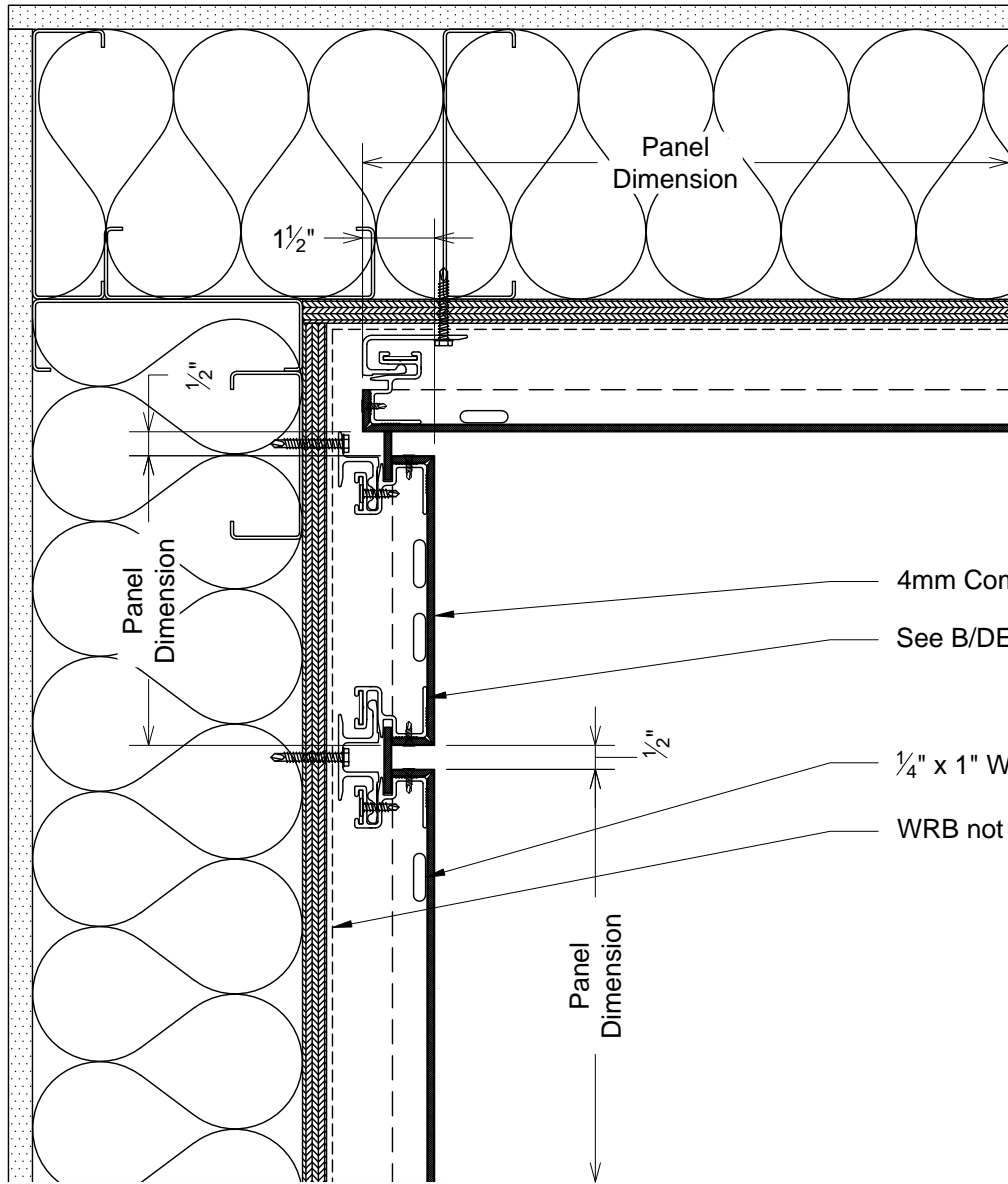
Sheet Title
DET

Scale
3" = 1'-0"

Job Number

Sheet
DET G2

APPROVED



- 4mm Composite Metal Panel
- See B/DET for Typical System Call Outs
- 1/4" x 1" Weep Holes 16" O.C.
- WRB not by NorthClad

H1
DET
Plan - Inside Corner



11831 BEVERLY PARK RD. BUILDING C, EVERETT, WA 98204
 * PHONE: 425.740.3702 * FAX: 425.740.3701 *
 www.northclad.com

NO.	DESCRIPTION	DATE	INIT.
1	Design	04/07/2014	M E
2			
3			
4			
5			
6			
7			
8			
9			
10			

Project
**NorthClad ACM
 Panel Standard
 Details**

Sheet Title **DET**

Scale **3" = 1'-0"**

Job Number

Sheet
DET H1

APPROVED

H2
DET

Detail not in Use



11831 BEVERLY PARK RD. BUILDING C, EVERETT, WA 98204
 * PHONE: 425.740.3702 * FAX: 425.740.3701 *
 www.northclad.com

This document is property of NorthClad and should not be used, duplicated or modified without the express written consent. Copyright © 2010 NorthClad All Rights Reserved

NO.	DESCRIPTION	DATE	INIT.
1	Design	04/07/2014	M E
2			
3			
4			
5			
6			
7			
8			
9			
10			

Project

NorthClad ACM Panel Standard Details

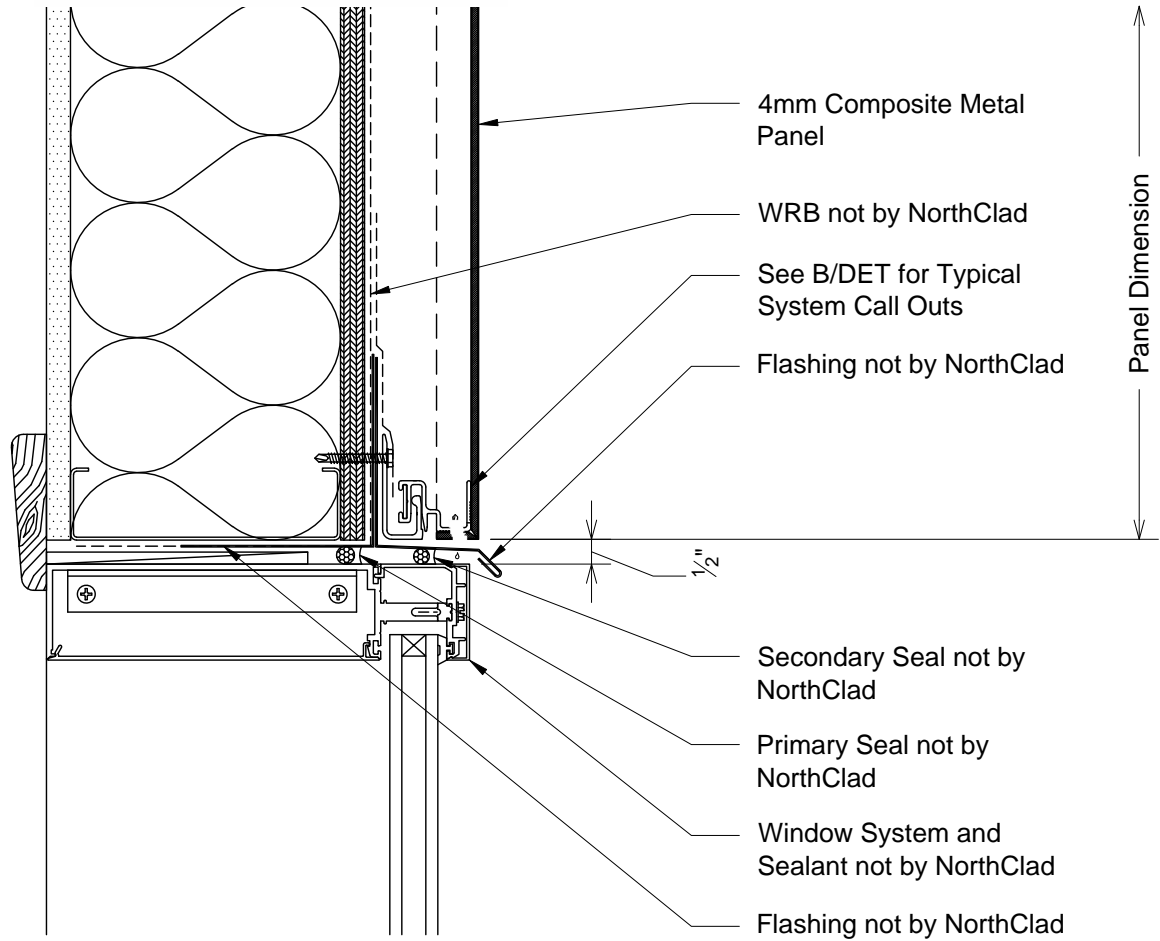
Sheet Title
DET

Scale
3" = 1'-0"

Job Number

Sheet
DET H2

APPROVED



J1 Section - Window Head
DET



11831 BEVERLY PARK RD. BUILDING C, EVERETT, WA 98204
* PHONE: 425.740.3702 * FAX: 425.740.3701 *
www.northclad.com

This document is property of NorthClad and should not be used, duplicated or modified without the express written consent. Copyright © 2010 NorthClad All Rights Reserved

NO.	DESCRIPTION	DATE	INIT.
1	Design	04/07/2014	M E
2			
3			
4			
5			
6			
7			
8			
9			
10			

Project

NorthClad ACM Panel Standard Details

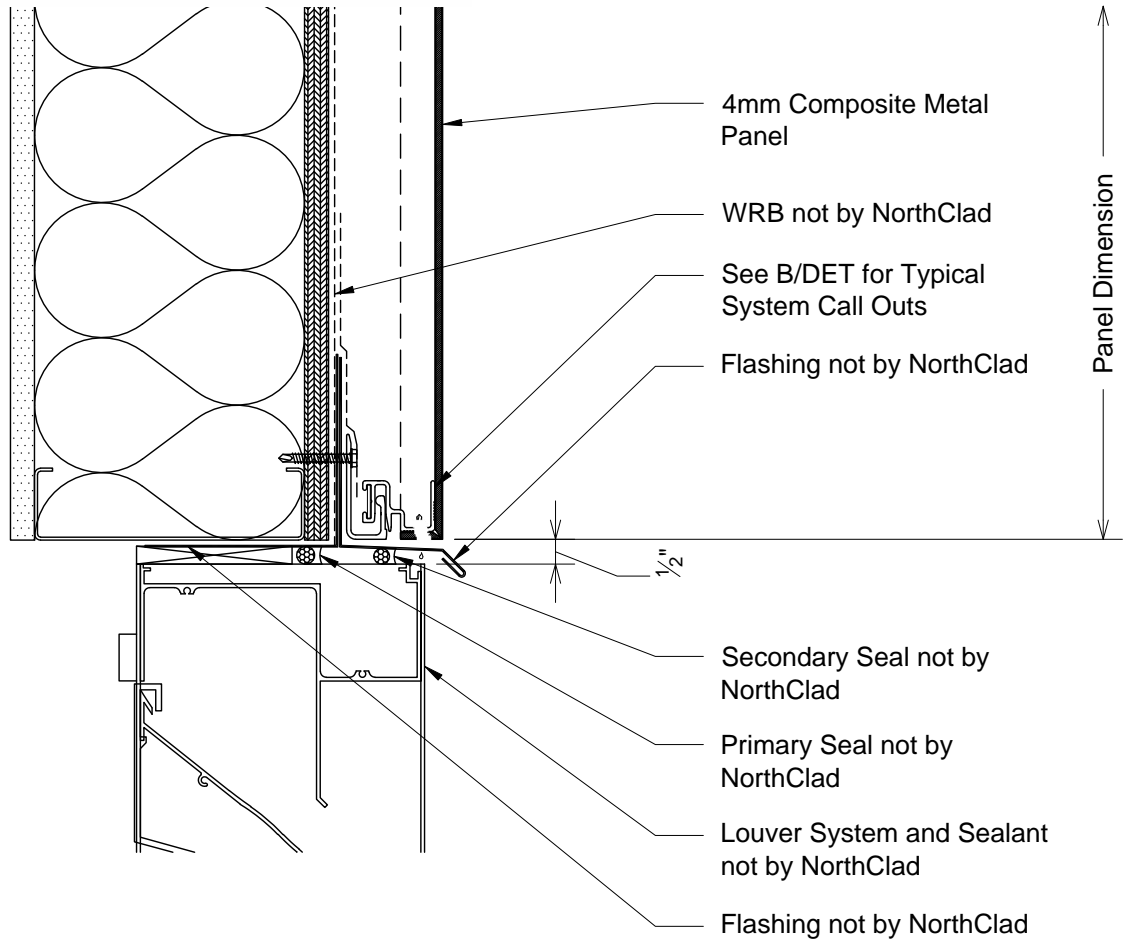
Sheet Title **DET**

Scale **3" = 1'-0"**

Job Number

Sheet **DET J1**

APPROVED



J2 Section - Louver Head
DET



11831 BEVERLY PARK RD. BUILDING C, EVERETT, WA 98204
* PHONE: 425.740.3702 * FAX: 425.740.3701 *
www.northclad.com

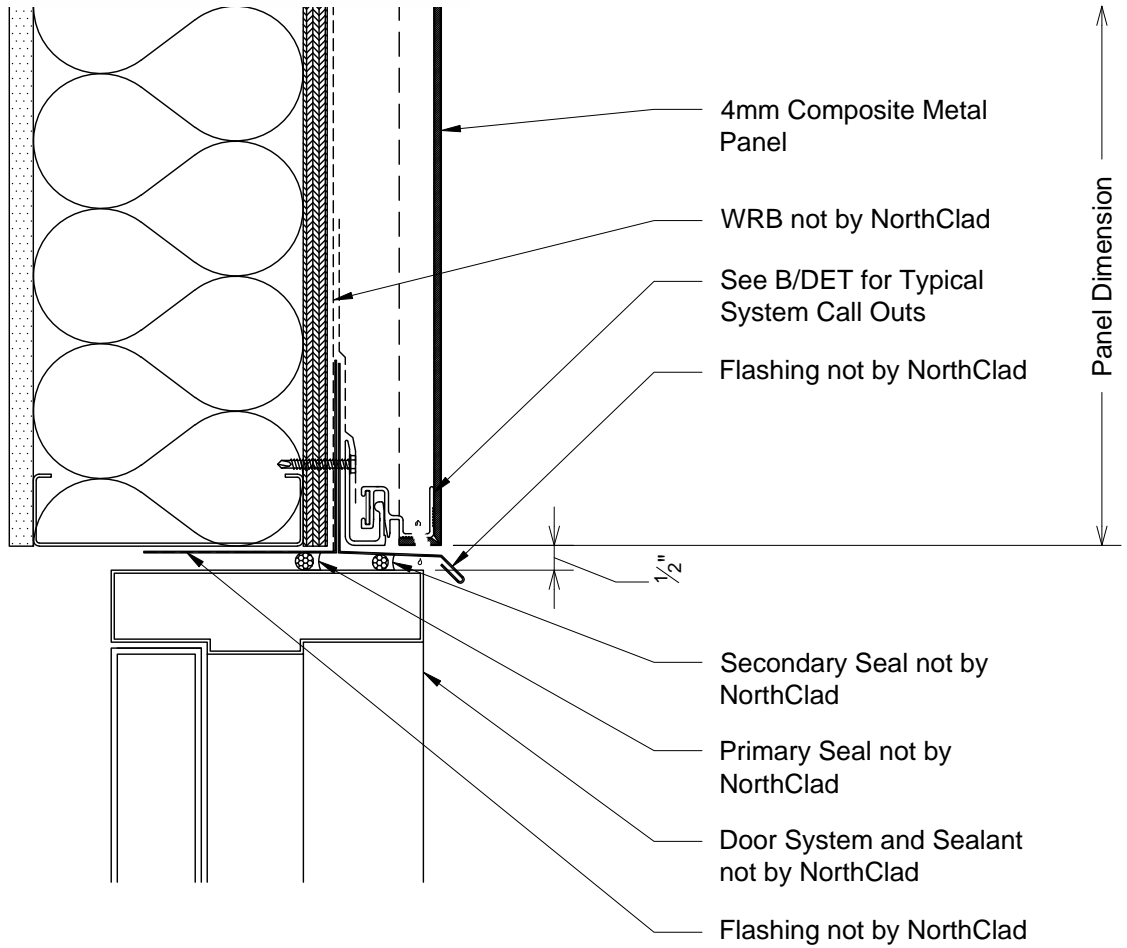
This document is property of NorthClad and should not be used, duplicated or modified without the express written consent. Copyright © 2010 NorthClad All Rights Reserved

NO.	DESCRIPTION	DATE	INIT.
1	Design	04/07/2014	M E
2			
3			
4			
5			
6			
7			
8			
9			
10			

Project

NorthClad ACM Panel Standard Details

Sheet Title	DET
Scale	3" = 1'-0"
Job Number	
Sheet	DET J2
APPROVED	



J3 Section - Door Head
DET



11831 BEVERLY PARK RD. BUILDING C, EVERETT, WA 98204
* PHONE: 425.740.3702 * FAX: 425.740.3701 *
www.northclad.com

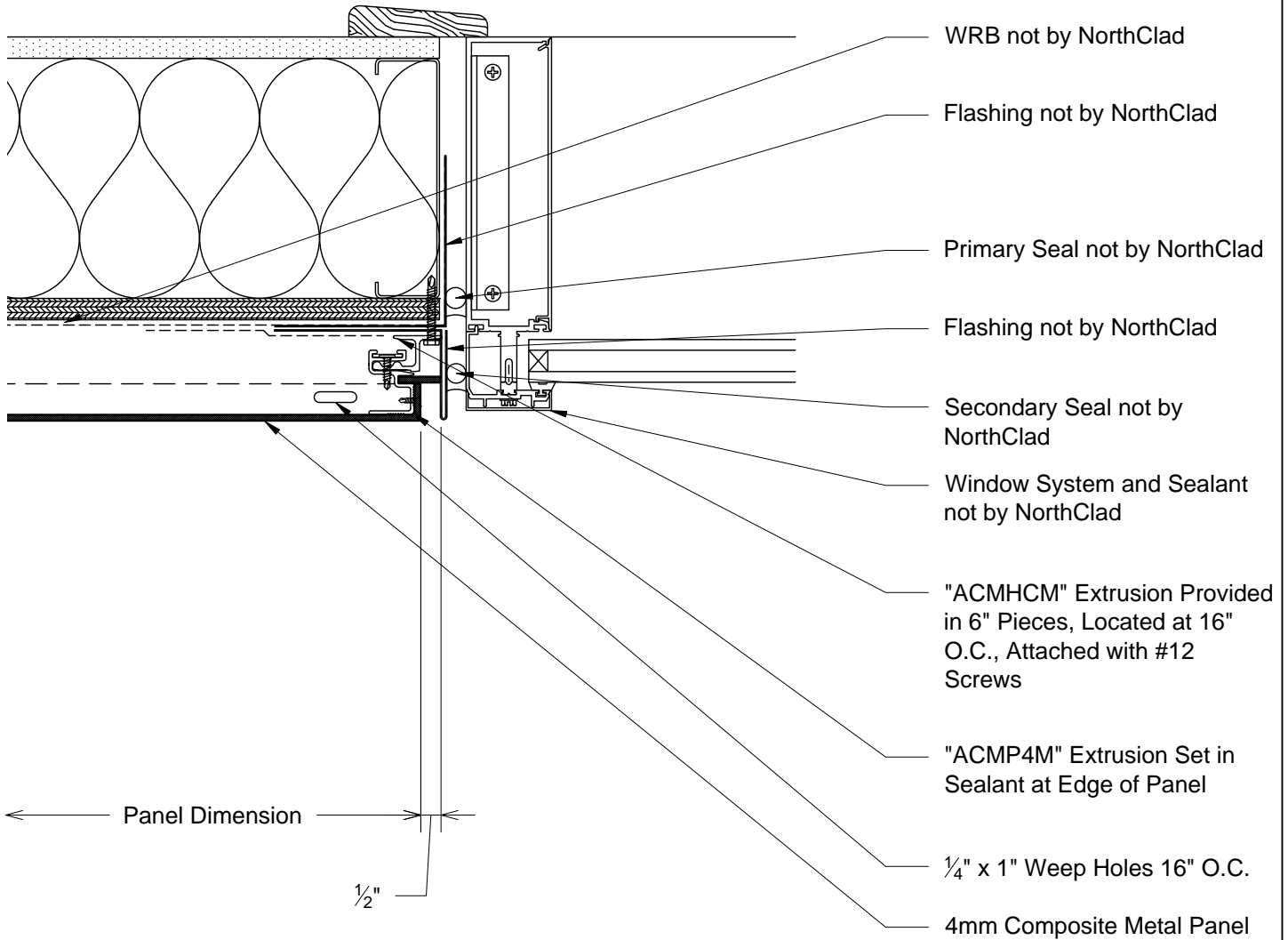
This document is property of NorthClad and should not be used, duplicated or modified without the express written consent. Copyright © 2010 NorthClad All Rights Reserved

NO.	DESCRIPTION	DATE	INIT.
1	Design	04/07/2014	M E
2			
3			
4			
5			
6			
7			
8			
9			
10			

Project

NorthClad ACM Panel Standard Details

Sheet Title	DET
Scale	3" = 1'-0"
Job Number	
Sheet	DET J3
APPROVED	



K1 Plan - Window at Left Jamb
DET



11831 BEVERLY PARK RD. BUILDING C, EVERETT, WA 98204
* PHONE: 425.740.3702 * FAX: 425.740.3701 *
www.northclad.com

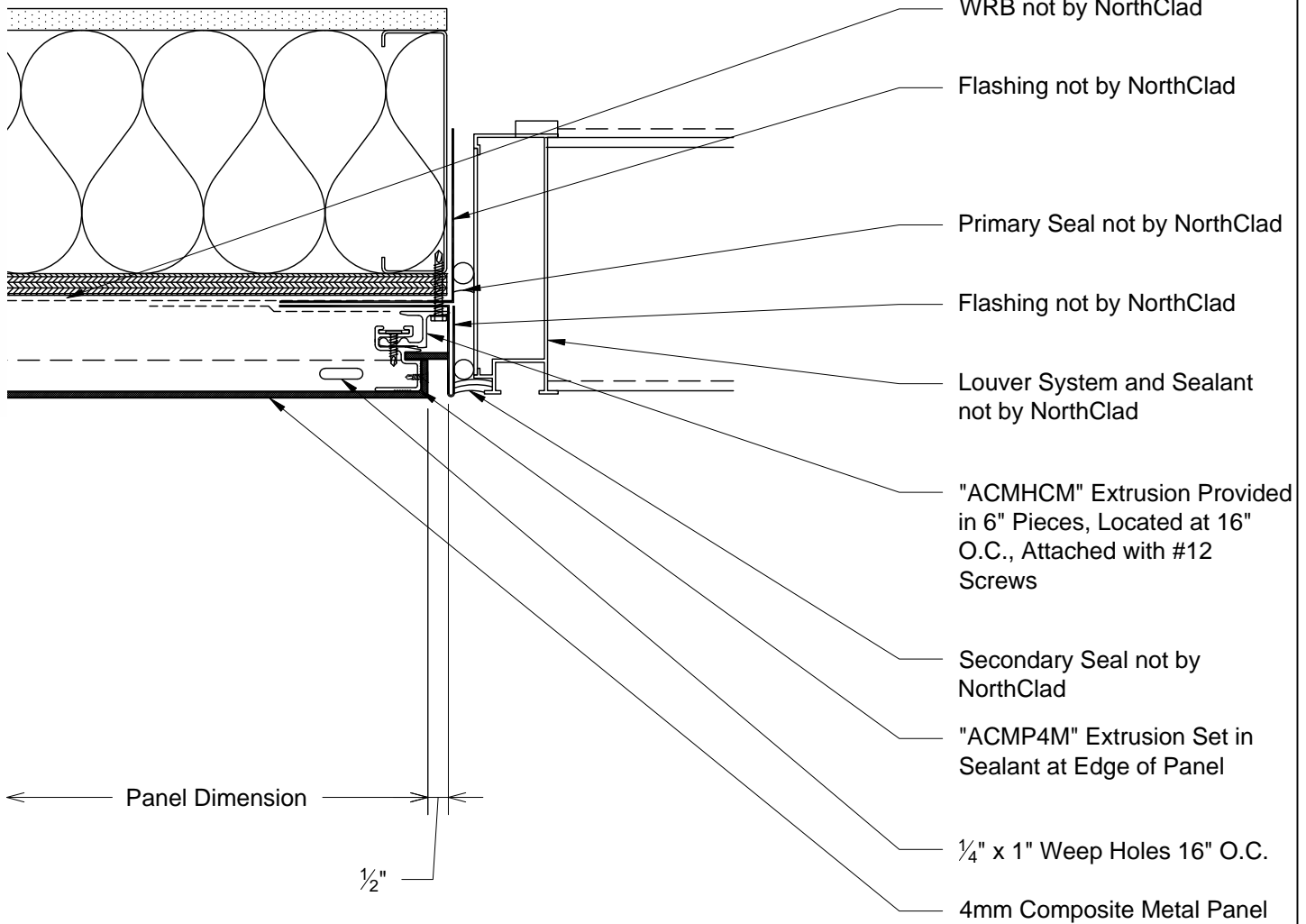
This document is property of NorthClad and should not be used, duplicated or modified without the express written consent. Copyright © 2010 NorthClad All Rights Reserved

NO.	DESCRIPTION	DATE	INIT.
1	Design	04/07/2014	M E
2			
3			
4			
5			
6			
7			
8			
9			
10			

Project

NorthClad ACM Panel Standard Details

Sheet Title	DET
Scale	3" = 1'-0"
Job Number	
Sheet	DET K1
APPROVED	



K2 Plan - Louver at Left Jamb
DET



11831 BEVERLY PARK RD. BUILDING C, EVERETT, WA 98204
* PHONE: 425.740.3702 * FAX: 425.740.3701 *
www.northclad.com

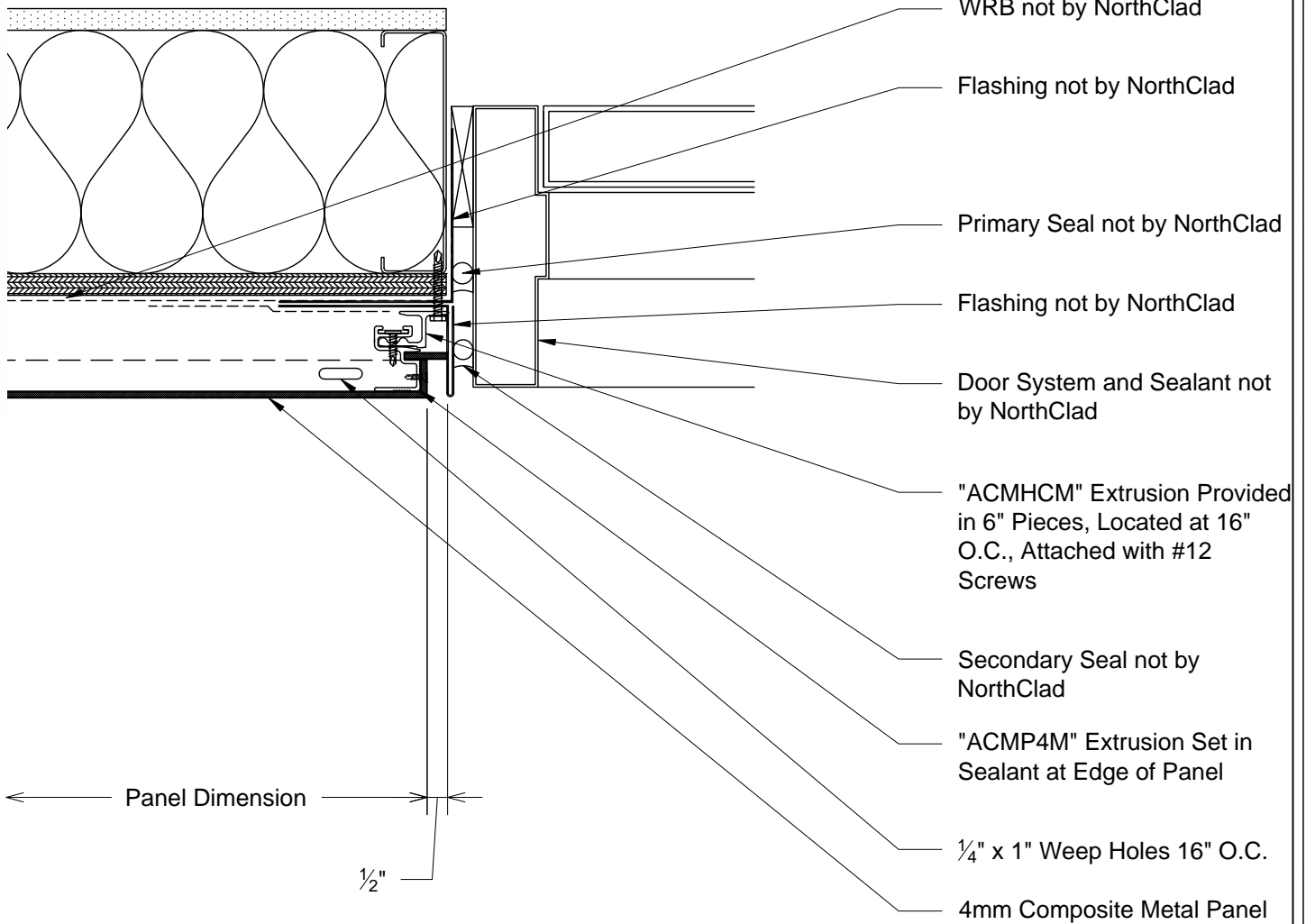
This document is property of NorthClad and should not be used, duplicated or modified without the express written consent. Copyright © 2010 NorthClad All Rights Reserved

NO.	DESCRIPTION	DATE	INIT.
1	Design	04/07/2014	M E
2			
3			
4			
5			
6			
7			
8			
9			
10			

Project

NorthClad ACM Panel Standard Details

Sheet Title	DET
Scale	3" = 1'-0"
Job Number	
Sheet	DET K2
APPROVED	



K3 Plan - Door at Left Jamb
DET



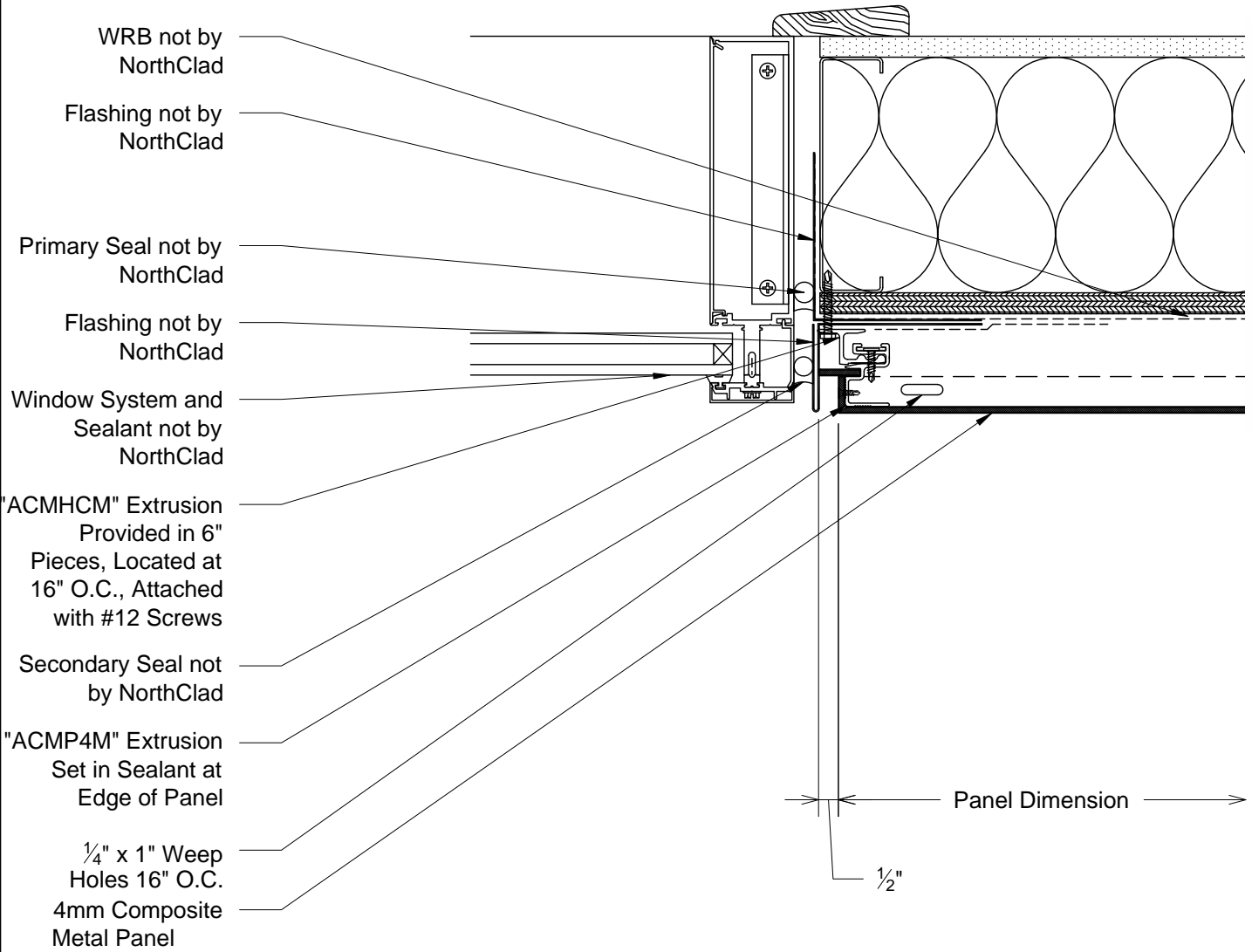
11831 BEVERLY PARK RD. BUILDING C, EVERETT, WA 98204
* PHONE: 425.740.3702 * FAX: 425.740.3701 *
www.northclad.com

This document is property of NorthClad and should not be used, duplicated or modified without the express written consent. Copyright © 2010 NorthClad All Rights Reserved

NO.	DESCRIPTION	DATE	INIT.
1	Design	04/07/2014	M E
2			
3			
4			
5			
6			
7			
8			
9			
10			

Project
NorthClad ACM Panel Standard Details

Sheet Title	DET
Scale	3" = 1'-0"
Job Number	
Sheet	DET K3
APPROVED	



M1
DET Plan - Window at Right Jamb



11831 BEVERLY PARK RD. BUILDING C, EVERETT, WA 98204
* PHONE: 425.740.3702 * FAX: 425.740.3701 *
www.northclad.com

This document is property of NorthClad and should not be used, duplicated or modified without the express written consent. Copyright © 2010 NorthClad All Rights Reserved

NO.	DESCRIPTION	DATE	INIT.
1	Design	04/07/2014	M E
2			
3			
4			
5			
6			
7			
8			
9			
10			

Project

NorthClad ACM Panel Standard Details

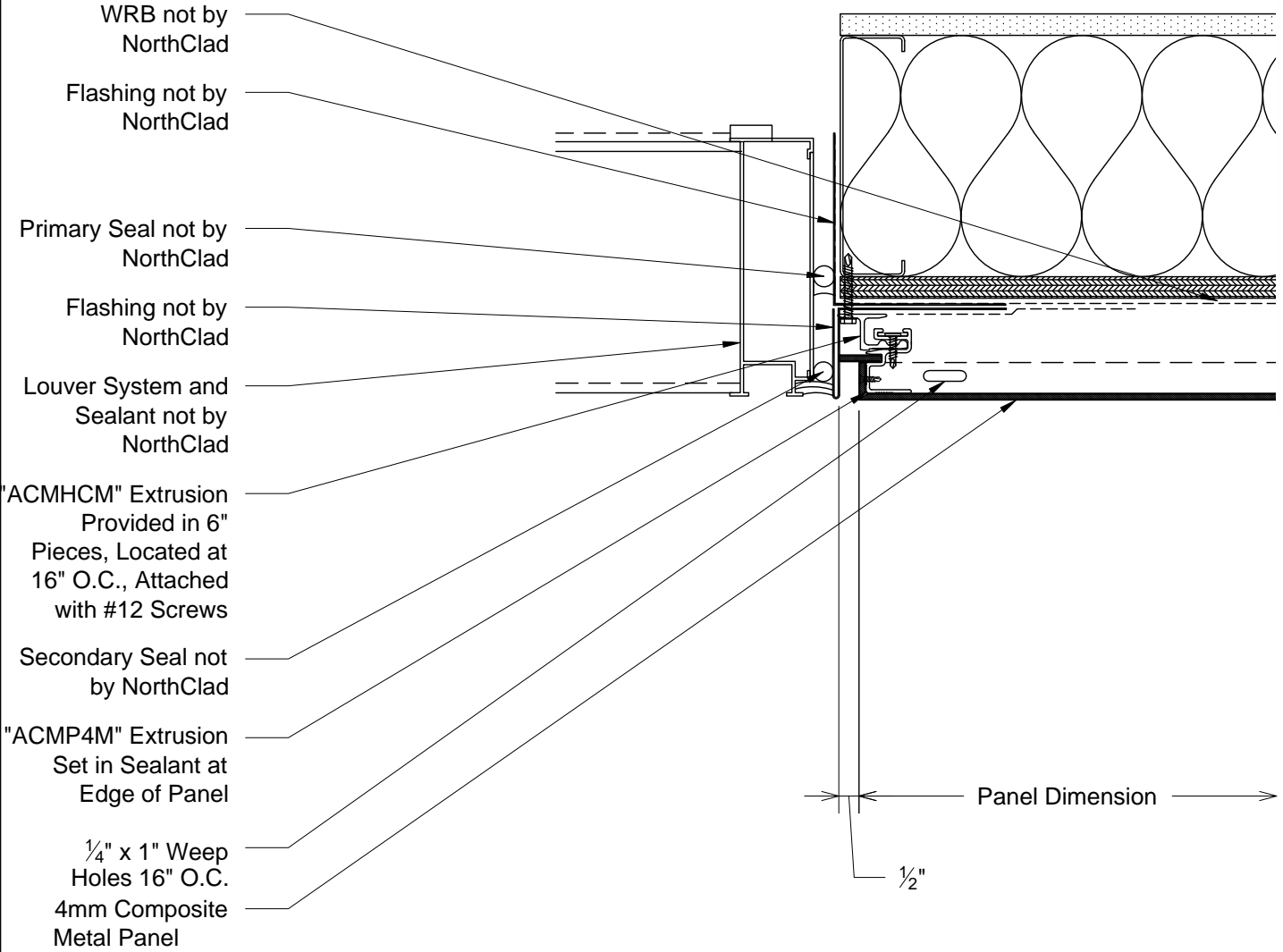
Sheet Title
DET

Scale
3" = 1'-0"

Job Number

Sheet
DET M1

APPROVED



M2
DET Plan - Louver at Right Jamb



11831 BEVERLY PARK RD. BUILDING C, EVERETT, WA 98204
* PHONE: 425.740.3702 * FAX: 425.740.3701 *
www.northclad.com

This document is property of NorthClad and should not be used, duplicated or modified without the express written consent. Copyright © 2010 NorthClad All Rights Reserved

NO.	DESCRIPTION	DATE	INIT.
1	Design	04/07/2014	M E
2			
3			
4			
5			
6			
7			
8			
9			
10			

Project

NorthClad ACM Panel Standard Details

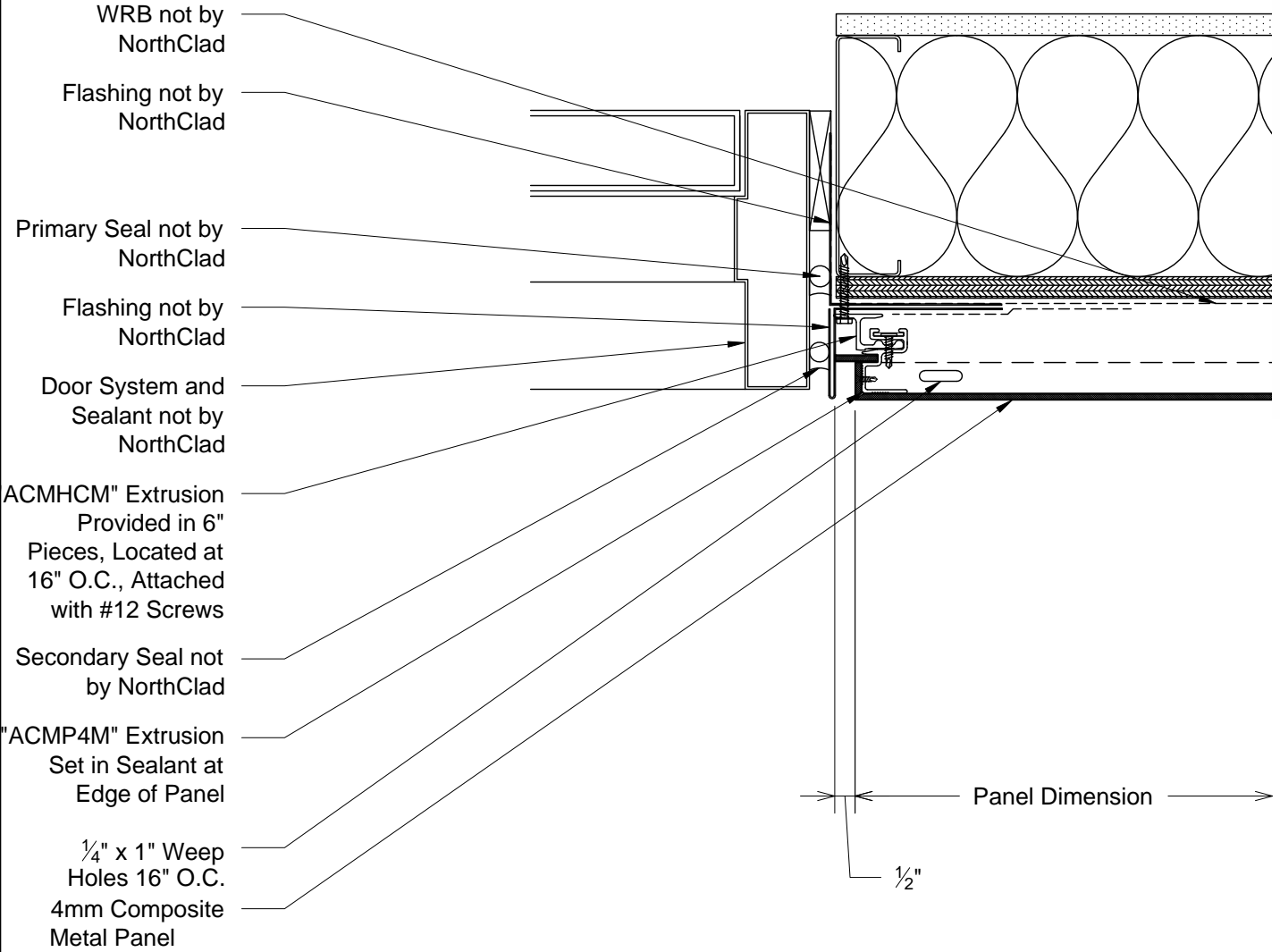
Sheet Title
DET

Scale
3" = 1'-0"

Job Number

Sheet
DET M2

APPROVED



M3
DET

Plan - Door at Right Jamb



11831 BEVERLY PARK RD. BUILDING C, EVERETT, WA 98204
* PHONE: 425.740.3702 * FAX: 425.740.3701 *
www.northclad.com

This document is property of NorthClad and should not be used, duplicated or modified without the express written consent. Copyright © 2010 NorthClad All Rights Reserved

NO.	DESCRIPTION	DATE	INIT.
1	Design	04/07/2014	M E
2			
3			
4			
5			
6			
7			
8			
9			
10			

Project

NorthClad ACM Panel Standard Details

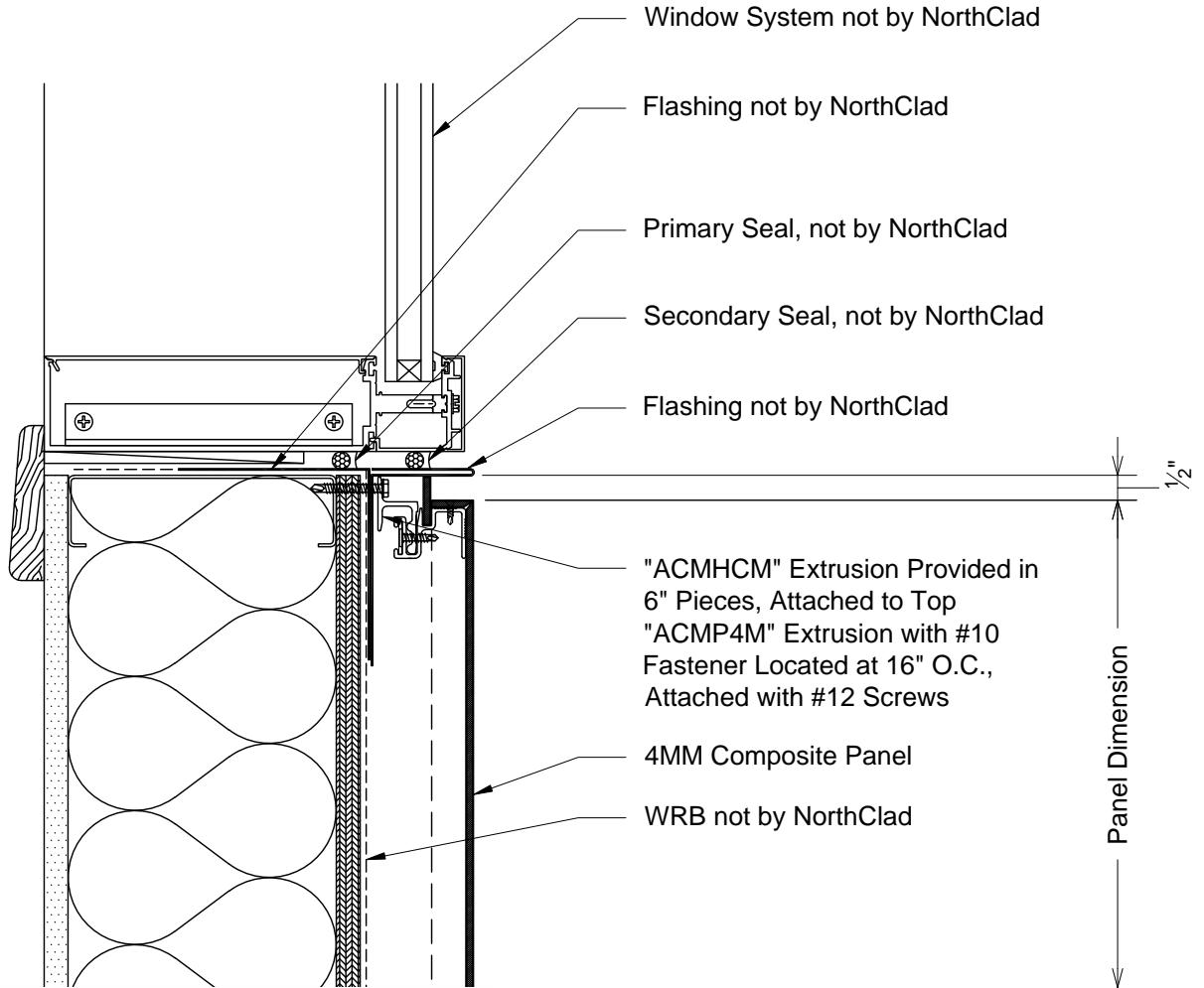
Sheet Title
DET

Scale
3" = 1'-0"

Job Number

Sheet
DET M3

APPROVED



N1 Section - Window Sill
DET



11831 BEVERLY PARK RD. BUILDING C, EVERETT, WA 98204
* PHONE: 425.740.3702 * FAX: 425.740.3701 *
www.northclad.com

This document is property of NorthClad and should not be used, duplicated or modified without the express written consent. Copyright © 2010 NorthClad All Rights Reserved

NO.	DESCRIPTION	DATE	INIT.
1	Design	04/07/2014	M E
2			
3			
4			
5			
6			
7			
8			
9			
10			

Project

NorthClad ACM Panel Standard Details

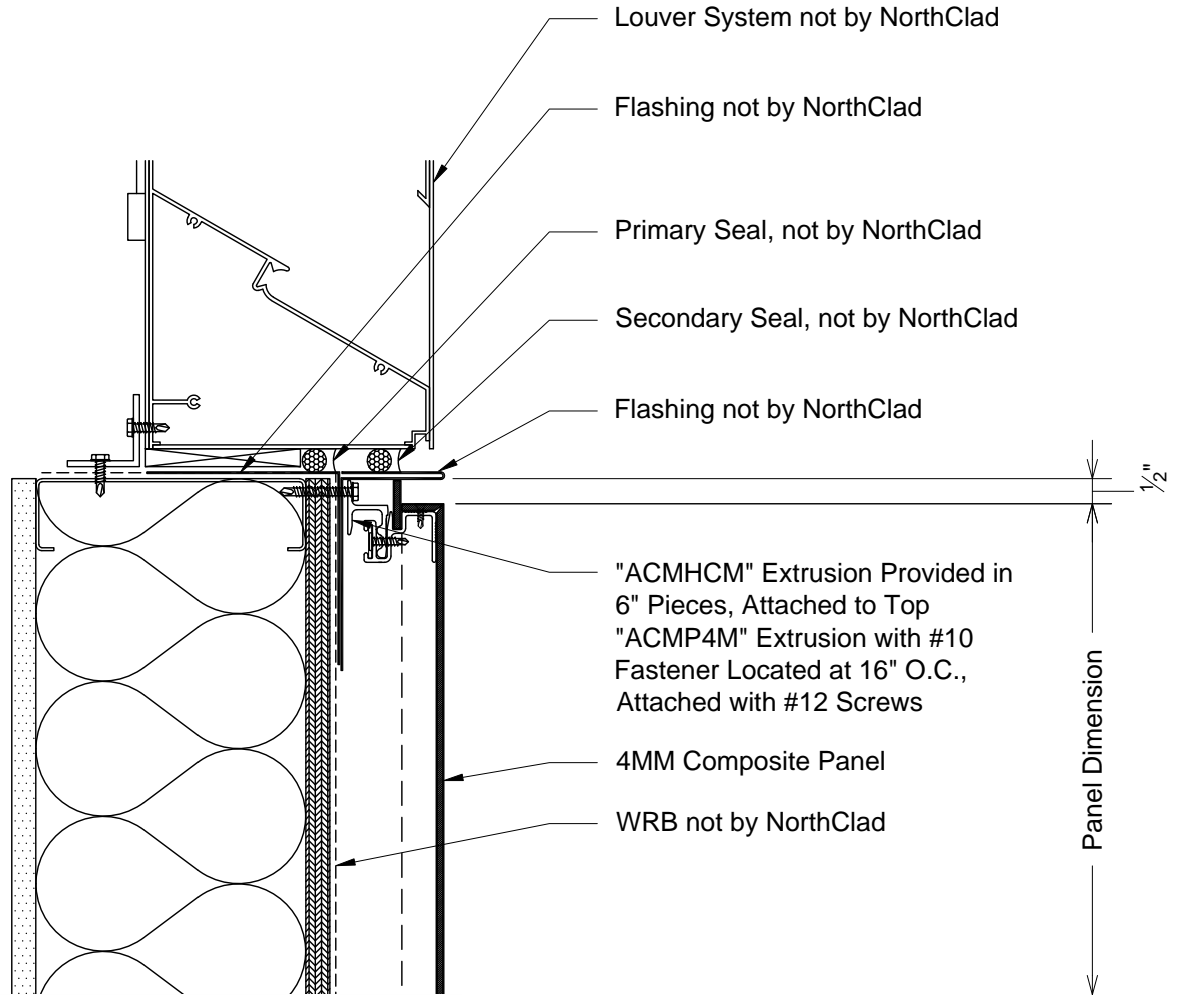
Sheet Title **DET**

Scale **3" = 1'-0"**

Job Number

Sheet **DET N1**

APPROVED



N2 Section - Louver Sill
DET



11831 BEVERLY PARK RD. BUILDING C, EVERETT, WA 98204
* PHONE: 425.740.3702 * FAX: 425.740.3701 *
www.northclad.com

This document is property of NorthClad and should not be used, duplicated or modified without the express written consent. Copyright © 2010 NorthClad All Rights Reserved

NO.	DESCRIPTION	DATE	INIT.
1	Design	04/07/2014	M E
2			
3			
4			
5			
6			
7			
8			
9			
10			

Project

NorthClad ACM Panel Standard Details

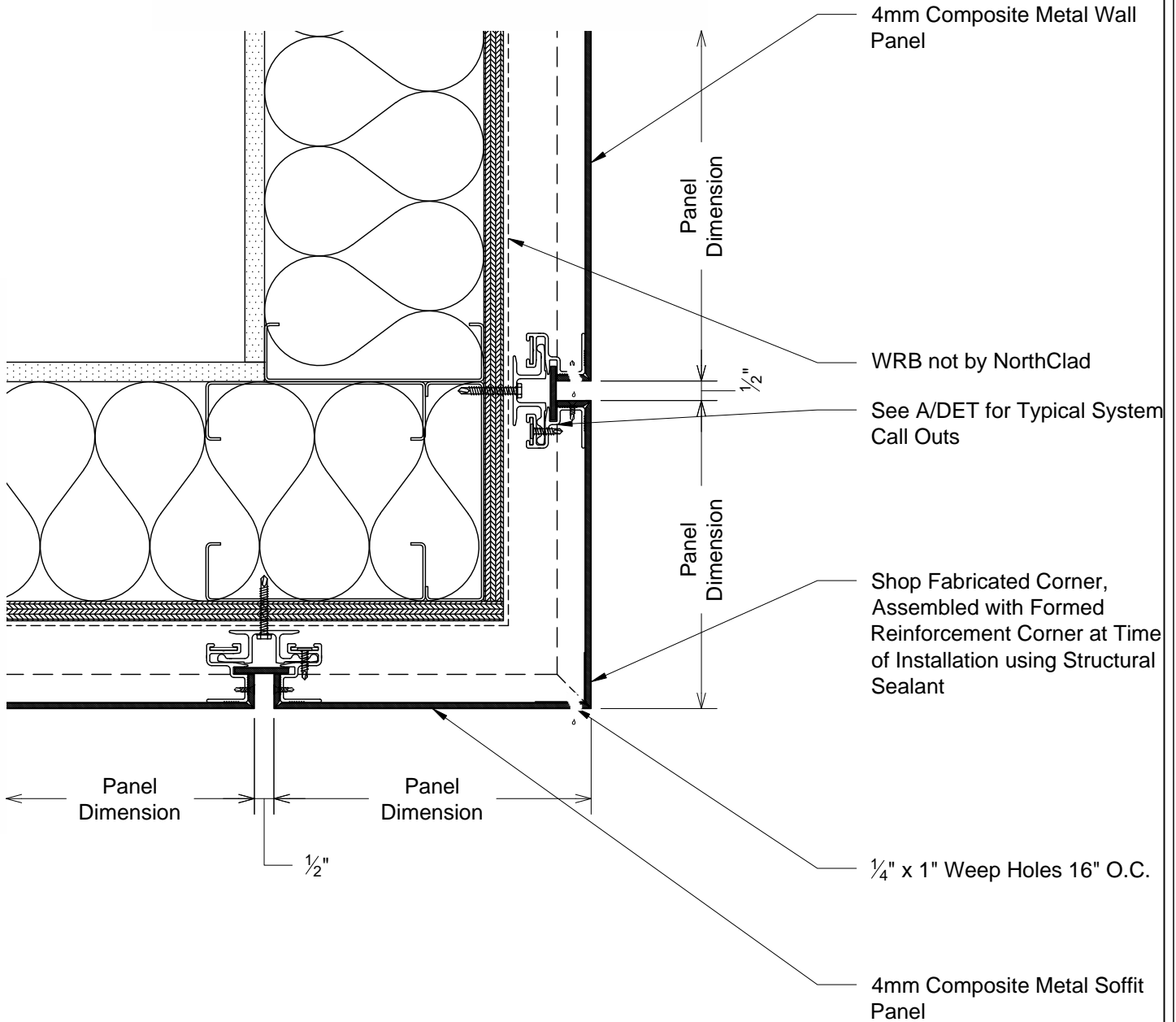
Sheet Title DET

Scale 3" = 1'-0"

Job Number

Sheet DET N2

APPROVED



P1 Section - Fascia to Soffit
DET



11831 BEVERLY PARK RD. BUILDING C, EVERETT, WA 98204
* PHONE: 425.740.3702 * FAX: 425.740.3701 *
www.northclad.com

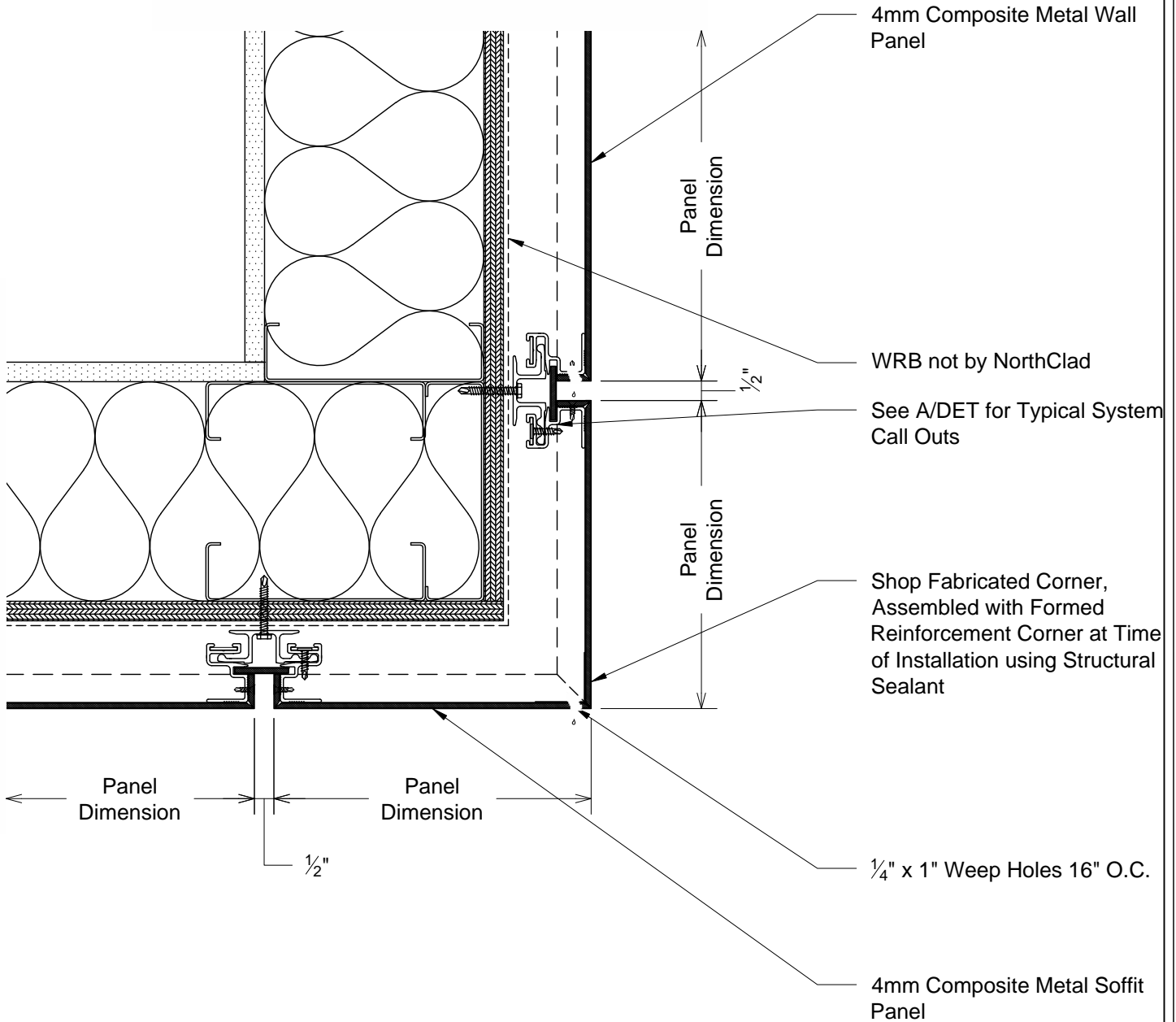
This document is property of NorthClad and should not be used, duplicated or modified without the express written consent. Copyright © 2010 NorthClad All Rights Reserved

NO.	DESCRIPTION	DATE	INIT.
1	Design	04/07/2014	M E
2			
3			
4			
5			
6			
7			
8			
9			
10			

Project

NorthClad ACM Panel Standard Details

Sheet Title	DET
Scale	3" = 1'-0"
Job Number	
Sheet	DET P1
APPROVED	



P2 Section - Fascia to Soffit
DET



11831 BEVERLY PARK RD. BUILDING C, EVERETT, WA 98204
* PHONE: 425.740.3702 * FAX: 425.740.3701 *
www.northclad.com

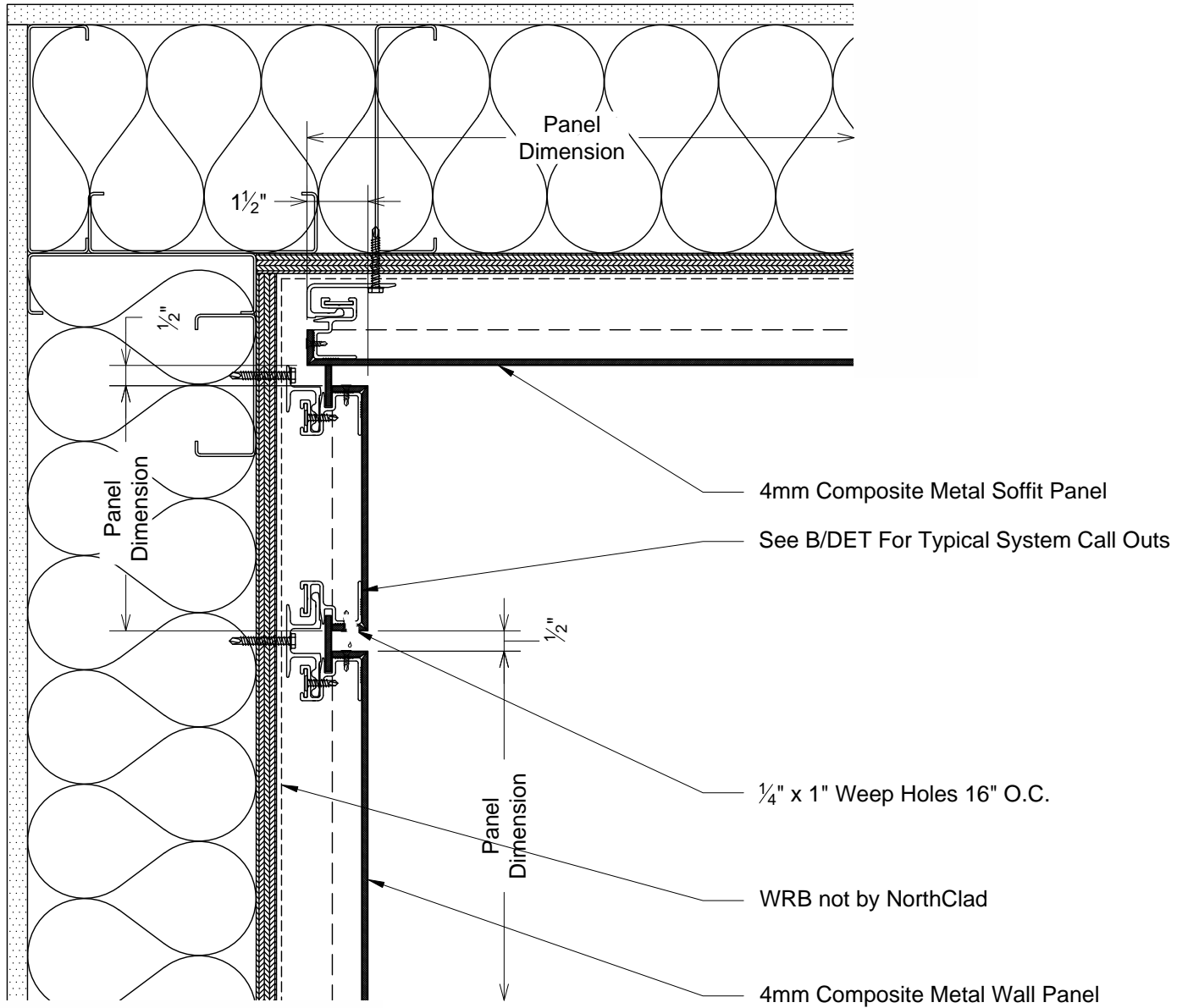
This document is property of NorthClad and should not be used, duplicated or modified without the express written consent. Copyright © 2010 NorthClad All Rights Reserved

NO.	DESCRIPTION	DATE	INIT.
1	Design	04/07/2014	M E
2			
3			
4			
5			
6			
7			
8			
9			
10			

Project

NorthClad ACM Panel Standard Details

Sheet Title	DET
Scale	3" = 1'-0"
Job Number	
Sheet	DET P2
APPROVED	



Q1 Section - Soffit at Top of Wall
DET



11831 BEVERLY PARK RD. BUILDING C, EVERETT, WA 98204
* PHONE: 425.740.3702 * FAX: 425.740.3701 *
www.northclad.com

This document is property of NorthClad and should not be used, duplicated or modified without the express written consent. Copyright © 2010 NorthClad All Rights Reserved

NO.	DESCRIPTION	DATE	INIT.
1	Design	04/07/2014	M E
2			
3			
4			
5			
6			
7			
8			
9			
10			

Project

NorthClad ACM Panel Standard Details

Sheet Title **DET**

Scale **3" = 1'-0"**

Job Number

Sheet **DET Q1**

APPROVED