

11831 BEVERLY PARK RD. BUILDING C, EVERETT, WA 98204  
 \* PHONE: 425.740.3702 \* FAX: 425.740.3701 \*  
 www.northclad.com

This document is property of NorthClad and should not be used, duplicated or modified without the express written consent. Copyright © 2010 NorthClad All Rights Reserved

NO.	DESCRIPTION	DATE	INIT.
1	Std Details	02.12.2014	M E
2			
3			
4			
5			
6			
7			
8			
9			
10			

Project

ALP Sealed Joint

Sheet Title  
**DET**

Scale

Job Number

Sheet  
**Key Elev**

APPROVED

**INDEX 1**

- A. Section - Typical ALP Horizontal Panel Joint
- B. Plan - Typical ALP Vertical Panel Joint
- C. Section - ALP Base of Panel Wall
- D. Section - ALP Panel Coping
- E. Plan - ALP Panel Coping Splice
- F. Section - ALP Panel at Light Gauge Formed Coping
- G. Plan - ALP Outside Corner
- H. Plan - ALP Inside Corner
- J. Section - ALP Panel at Window/CW Head
- K. Section - ALP Panel at Louver Head
- M. Section - ALP Panel at Hollow Metal Door Head
- N. Plan - ALP Panel at Left Side Window/CW Jamb
- P. Plan - ALP Panel at Left Side Louver Jamb
- Q. Plan - ALP Panel at Left Side Hollow Metal Door Jamb
- R. Plan - ALP Panel at Right Side Window/CW Jamb
- S. Plan - ALP Panel at Right Side Louver Jamb
- T. Plan - ALP Panel at Right Side Hollow Metal Door Jamb
- U. Section - ALP Panel at Window/CW Sill
- V. Section - ALP Panel at Louver Sill



11831 BEVERLY PARK RD. BUILDING C, EVERETT, WA 98204  
 \* PHONE: 425.740.3702 \* FAX: 425.740.3701 \*  
 www.northclad.com

This document is property of NorthClad and should not be used, duplicated or modified without the express written consent. Copyright © 2010 NorthClad All Rights Reserved

NO.	DESCRIPTION	DATE	INIT.
1	Std Details	02.12.2014	M E
2			
3			
4			
5			
6			
7			
8			
9			
10			

Project

ALP Sealed Joint

Sheet Title **DET**

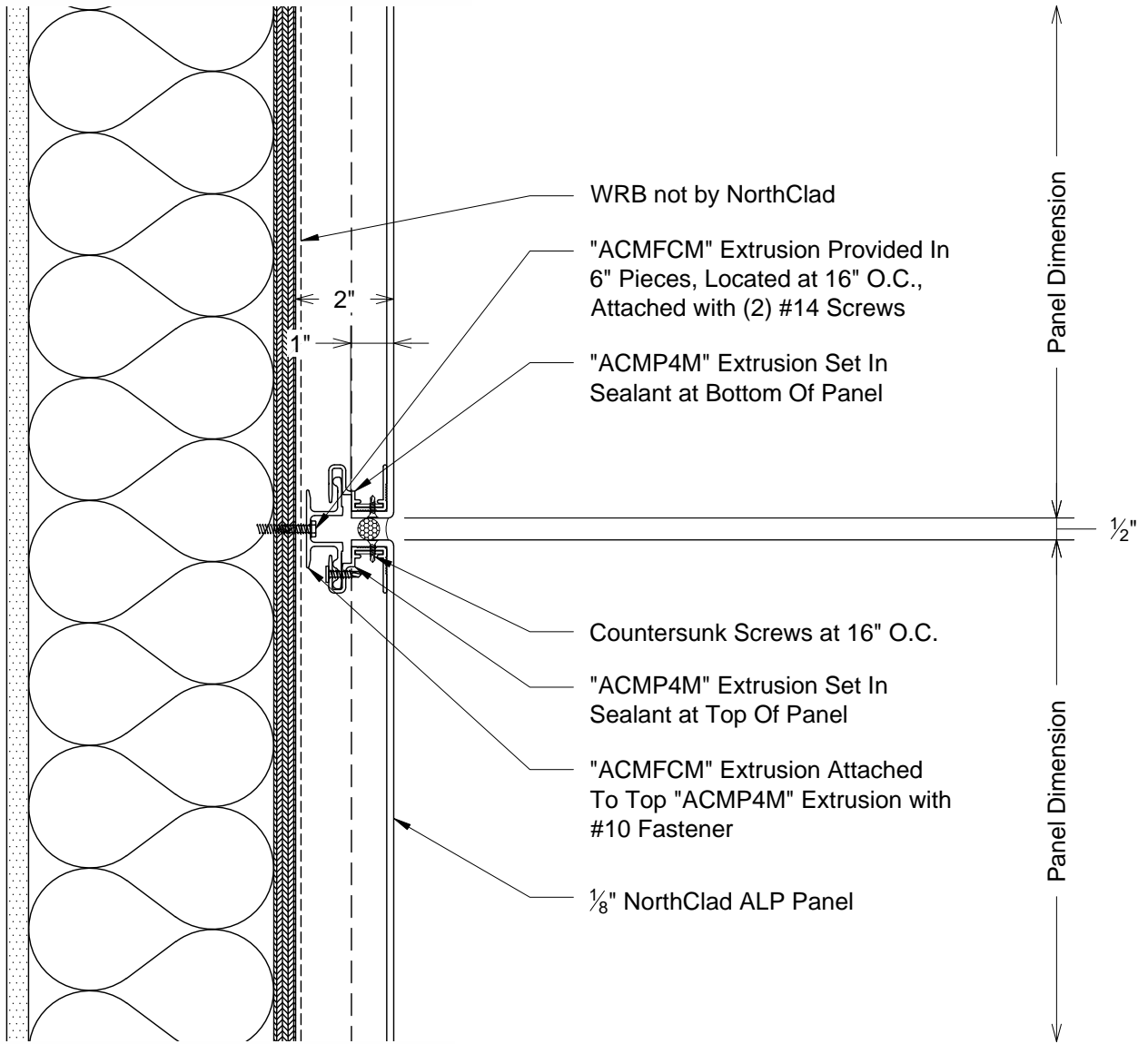
Scale

Job Number

Sheet

**Index**

APPROVED



A  
DET Section - Typical ALP Horizontal Panel Joint



11831 BEVERLY PARK RD. BUILDING C, EVERETT, WA 98204  
\* PHONE: 425.740.3702 \* FAX: 425.740.3701 \*  
www.northclad.com

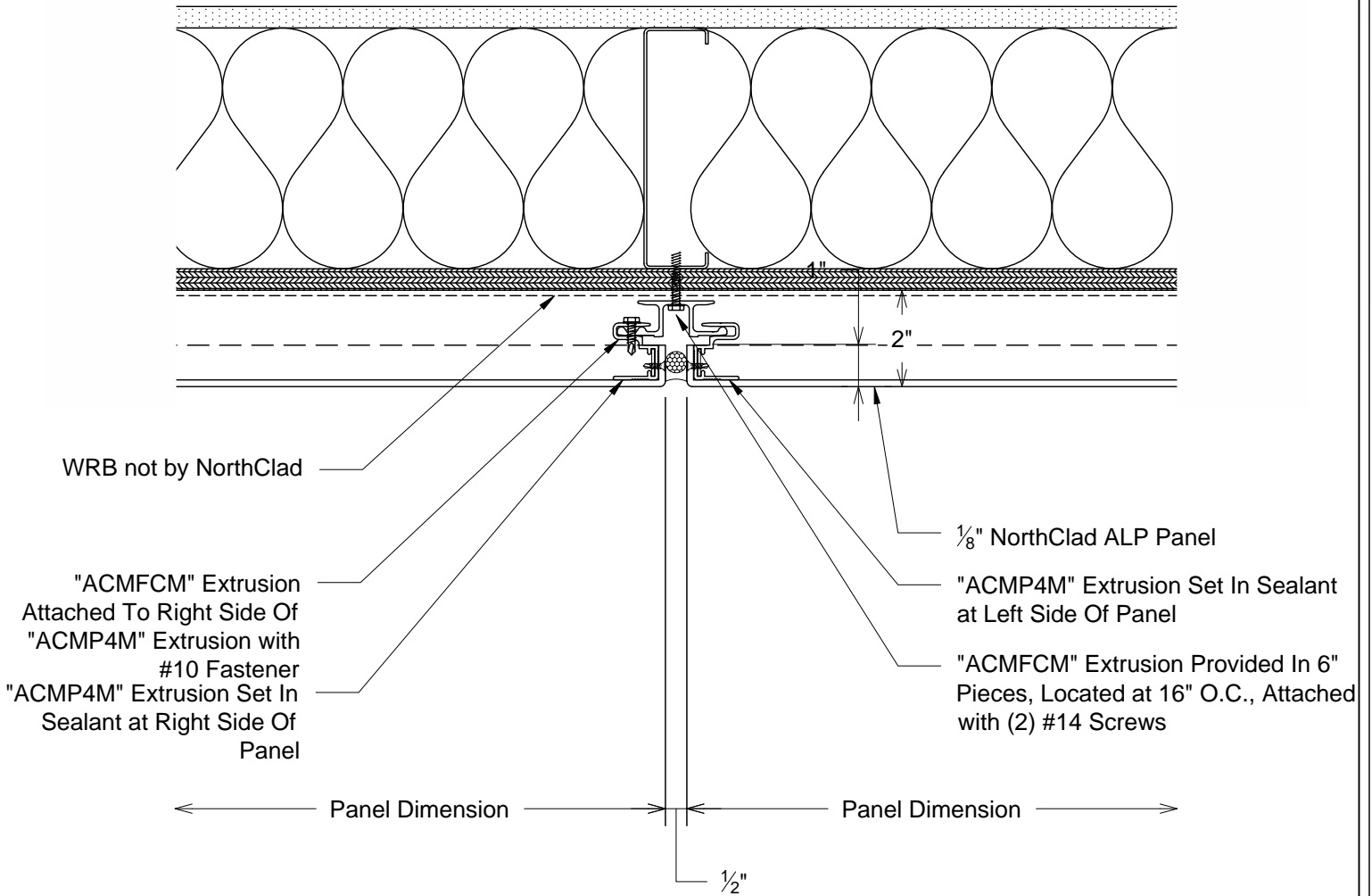
This document is property of NorthClad and should not be used, duplicated or modified without the express written consent. Copyright © 2010 NorthClad All Rights Reserved

NO.	DESCRIPTION	DATE	INIT.
1	Std Details	02.12.2014	M E
2			
3			
4			
5			
6			
7			
8			
9			
10			

Project

ALP Sealed Joint

Sheet Title	DET
Scale	3" = 1'-0"
Job Number	
Sheet	A
APPROVED	



B Plan - Typical ALP Vertical Panel Joint  
DET



11831 BEVERLY PARK RD. BUILDING C, EVERETT, WA 98204  
\* PHONE: 425.740.3702 \* FAX: 425.740.3701 \*  
www.northclad.com

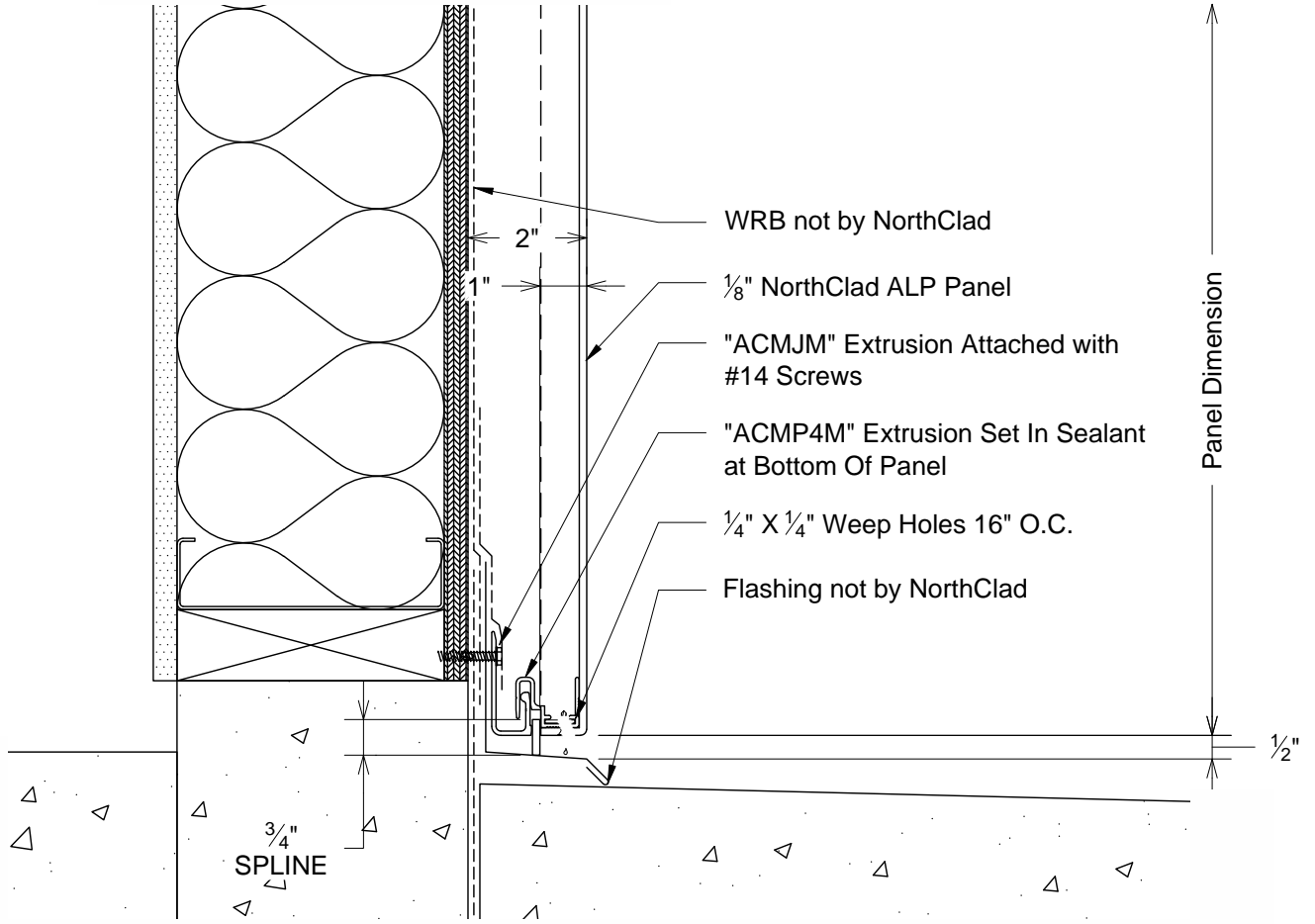
This document is property of NorthClad and should not be used, duplicated or modified without the express written consent. Copyright © 2010 NorthClad All Rights Reserved

NO.	DESCRIPTION	DATE	INIT.
1	Std Details	02.12.2014	M E
2			
3			
4			
5			
6			
7			
8			
9			
10			

Project

ALP Sealed Joint

Sheet Title	DET
Scale	3" = 1'-0"
Job Number	
Sheet	B
APPROVED	



C Section - ALP Base of Panel Wall  
DET



11831 BEVERLY PARK RD. BUILDING C, EVERETT, WA 98204  
\* PHONE: 425.740.3702 \* FAX: 425.740.3701 \*  
www.northclad.com

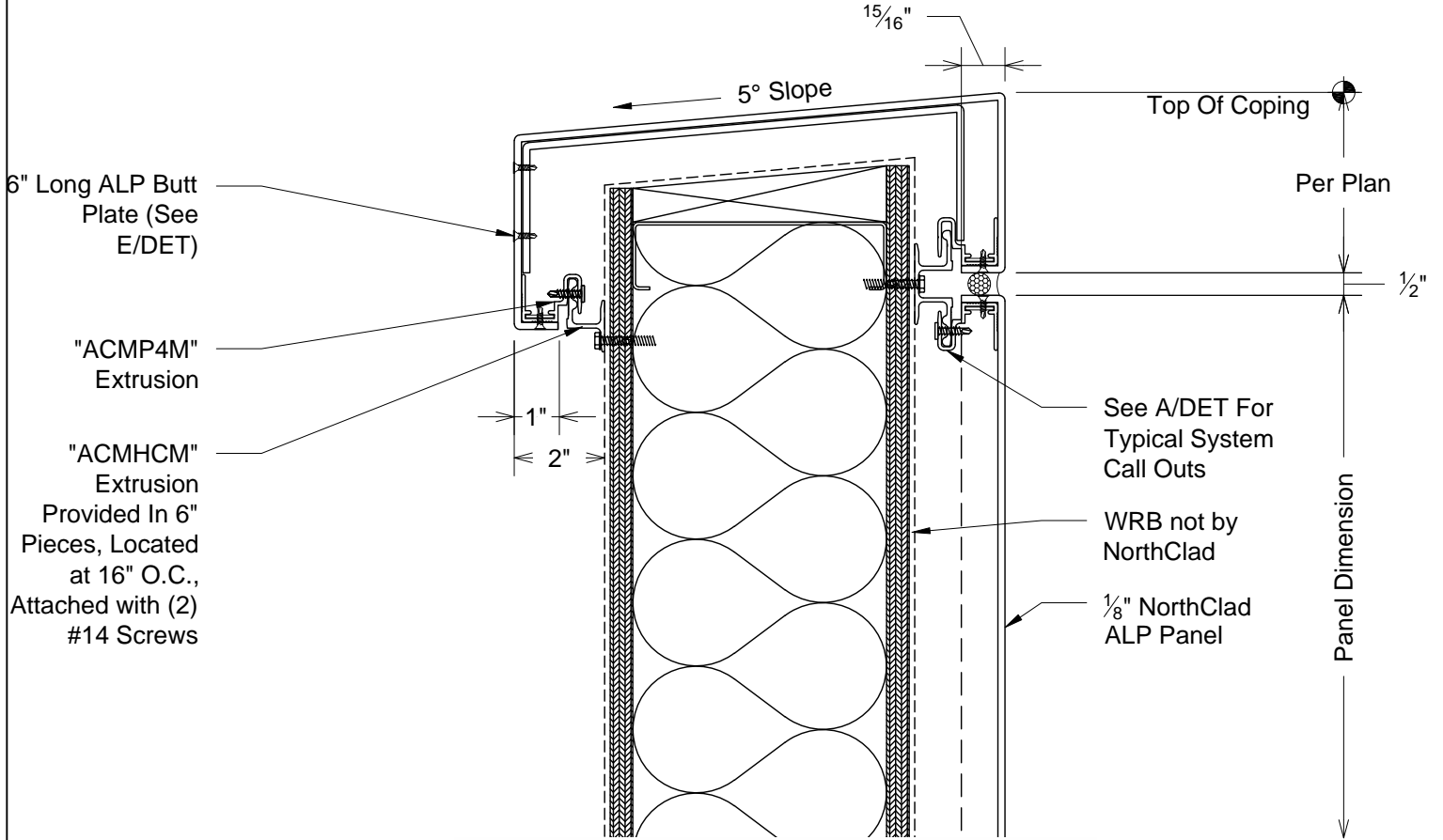
This document is property of NorthClad and should not be used, duplicated or modified without the express written consent. Copyright © 2010 NorthClad All Rights Reserved

NO.	DESCRIPTION	DATE	INIT.
1	Std Details	02.12.2014	M E
2			
3			
4			
5			
6			
7			
8			
9			
10			

Project

ALP Sealed Joint

Sheet Title	DET
Scale	3" = 1'-0"
Job Number	
Sheet	C
APPROVED	



**D** Section - ALP Panel Coping  
DET



11831 BEVERLY PARK RD. BUILDING C, EVERETT, WA 98204  
\* PHONE: 425.740.3702 \* FAX: 425.740.3701 \*  
www.northclad.com

This document is property of NorthClad and should not be used, duplicated or modified without the express written consent. Copyright © 2010 NorthClad All Rights Reserved

NO.	DESCRIPTION	DATE	INIT.
1	Std Details	02.12.2014	M E
2			
3			
4			
5			
6			
7			
8			
9			
10			

Project

ALP Sealed Joint

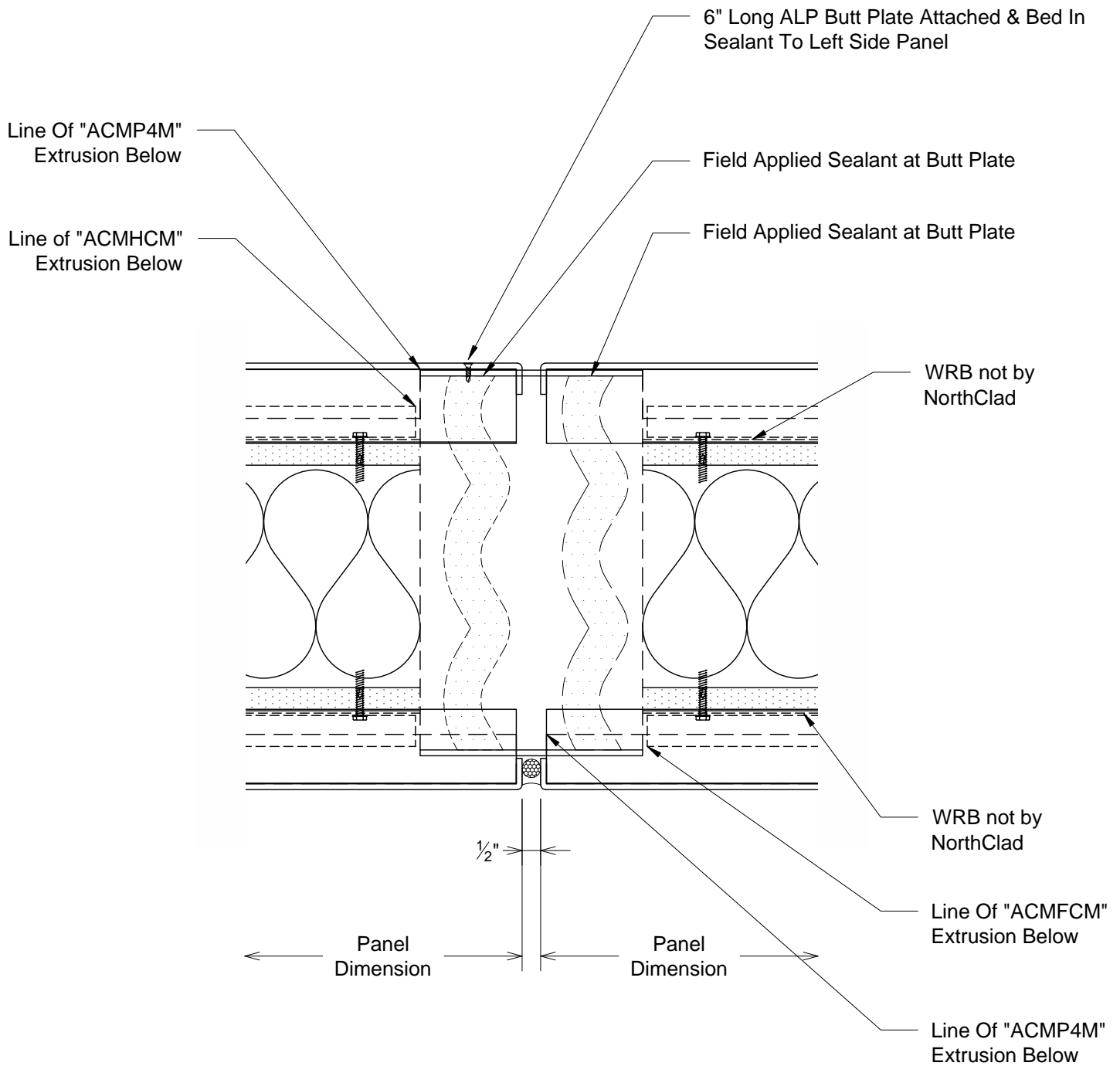
Sheet Title **DET**

Scale **3" = 1'-0"**

Job Number

Sheet **D**

APPROVED



**E** Plan - ALP Panel Coping Splice  
**DET**



11831 BEVERLY PARK RD. BUILDING C, EVERETT, WA 98204  
 \* PHONE: 425.740.3702 \* FAX: 425.740.3701 \*  
 www.northclad.com

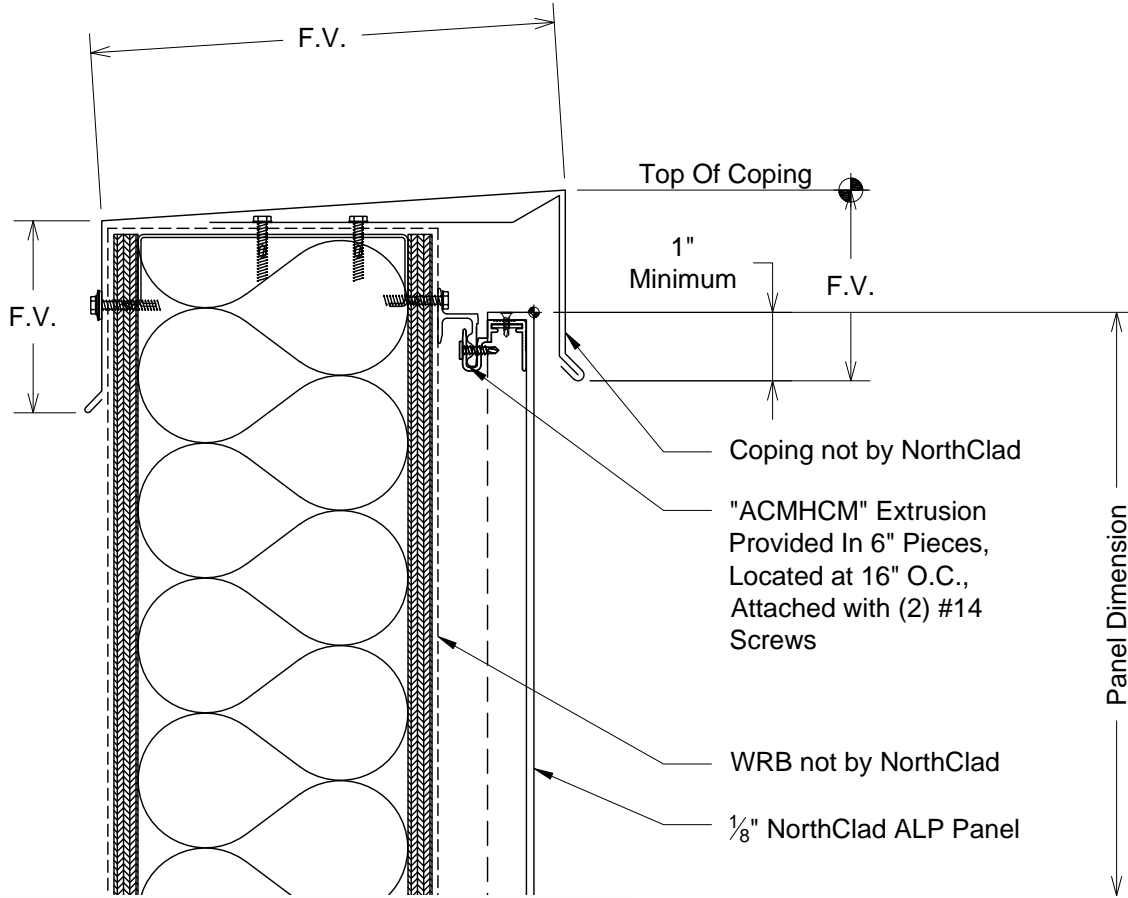
This document is property of NorthClad and should not be used, duplicated or modified without the express written consent. Copyright © 2010 NorthClad All Rights Reserved

NO.	DESCRIPTION	DATE	INIT.
1	Std Details	02.12.2014	M E
2			
3			
4			
5			
6			
7			
8			
9			
10			

Project

ALP Sealed Joint

Sheet Title	<b>DET</b>
Scale	<b>3" = 1'-0"</b>
Job Number	
Sheet	<b>E</b>
APPROVED	



F  
DET
 
 Section - ALP Panel at Light Gauge Formed Coping



11831 BEVERLY PARK RD. BUILDING C, EVERETT, WA 98204  
 \* PHONE: 425.740.3702 \* FAX: 425.740.3701 \*  
 www.northclad.com

This document is property of NorthClad and should not be used, duplicated or modified without the express written consent. Copyright © 2010 NorthClad All Rights Reserved

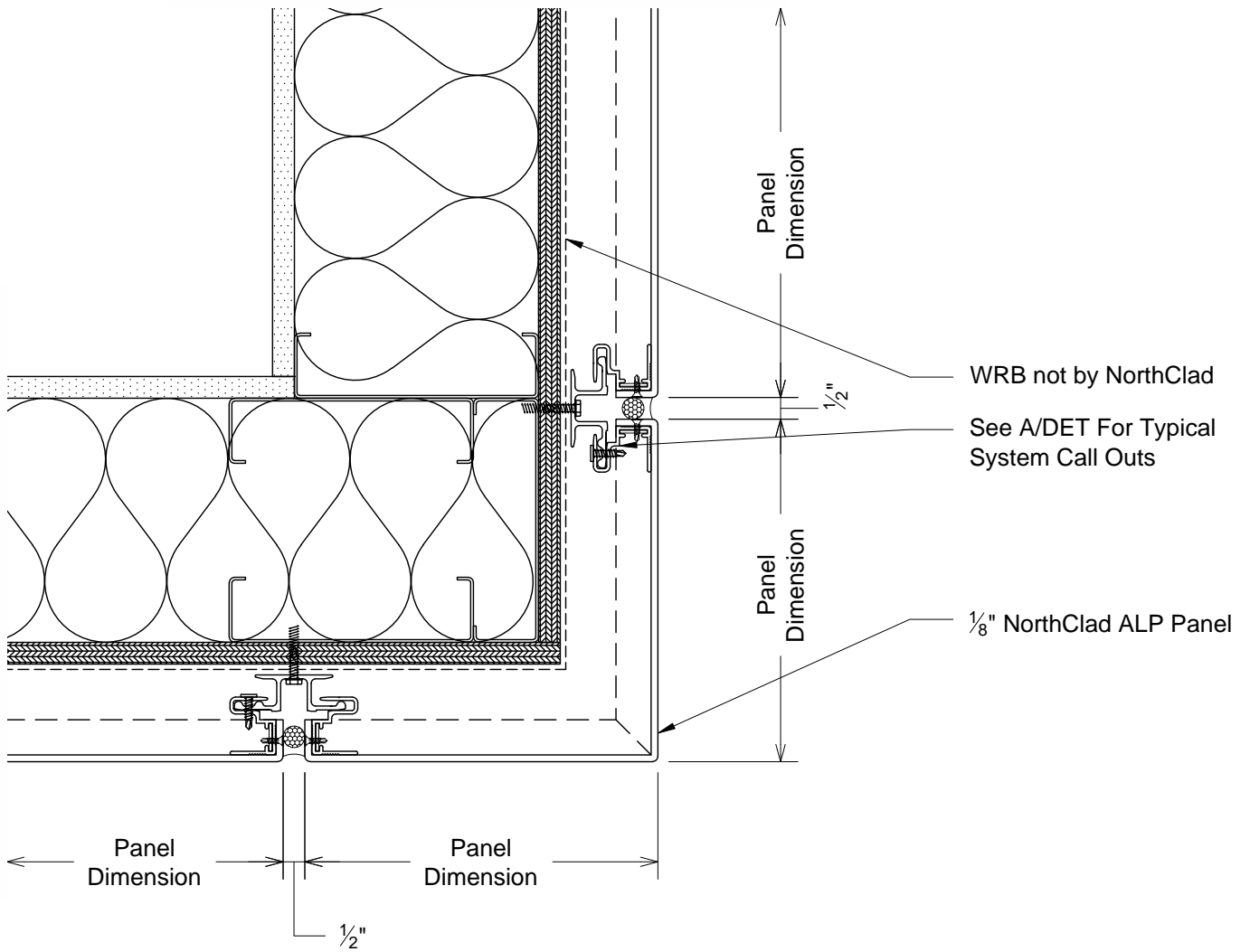
NO.	DESCRIPTION	DATE	INIT.
1	Std Details	02.12.2014	M E
2			
3			
4			
5			
6			
7			
8			
9			
10			

Project

ALP Sealed Joint

Sheet Title	<b>DET</b>
Scale	<b>3" = 1'-0"</b>
Job Number	
Sheet	<b>F</b>
APPROVED	





G  
DET  
Plan - ALP Outside Corner



11831 BEVERLY PARK RD. BUILDING C, EVERETT, WA 98204  
 \* PHONE: 425.740.3702 \* FAX: 425.740.3701 \*  
 www.northclad.com

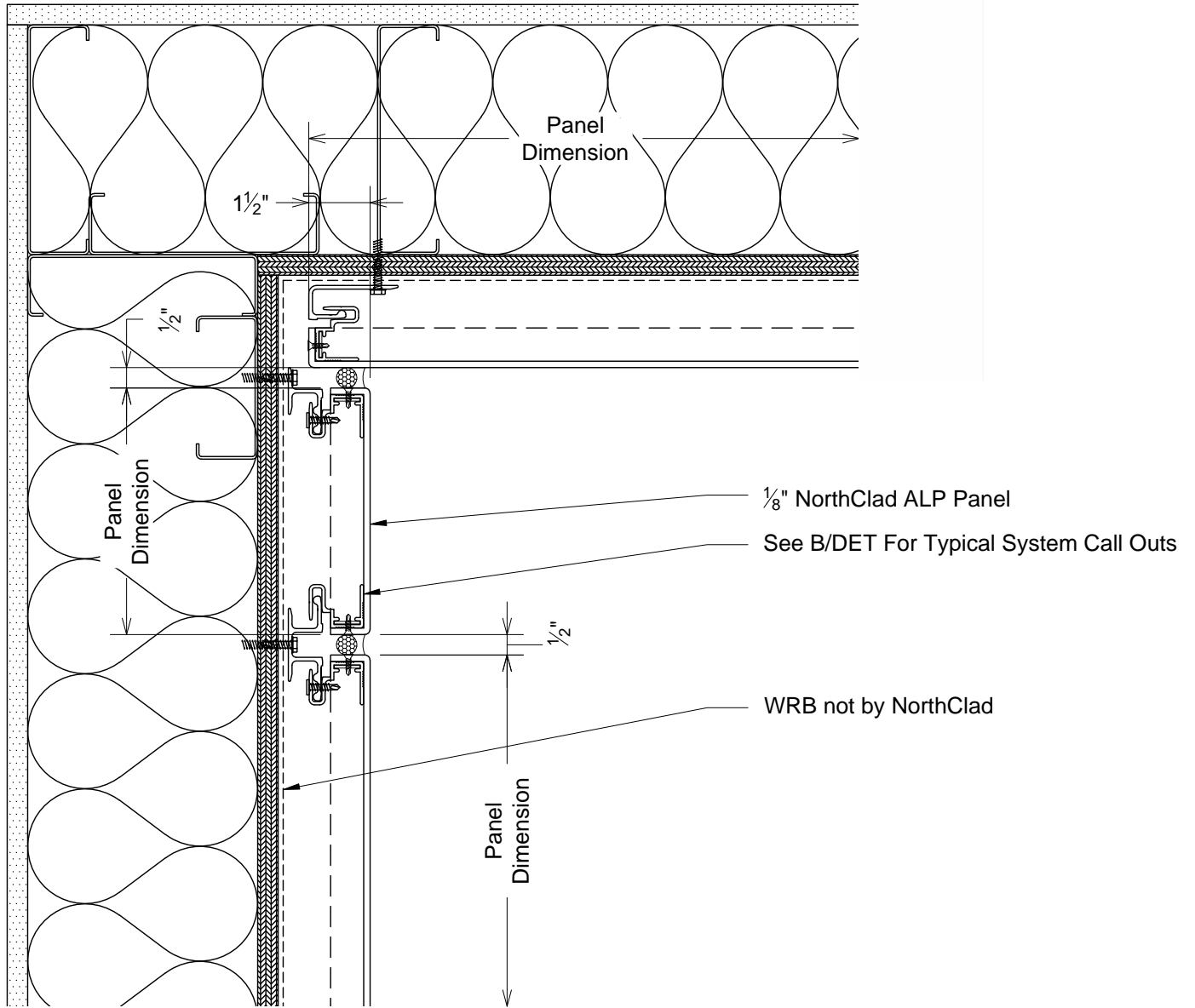
This document is property of NorthClad and should not be used, duplicated or modified without the express written consent. Copyright © 2010 NorthClad All Rights Reserved

NO.	DESCRIPTION	DATE	INIT.
1	Std Details	02.12.2014	M E
2			
3			
4			
5			
6			
7			
8			
9			
10			

Project

ALP Sealed Joint

Sheet Title	DET
Scale	3" = 1'-0"
Job Number	
Sheet	G
APPROVED	



H  
DET  
Plan - ALP Inside Corner



11831 BEVERLY PARK RD. BUILDING C, EVERETT, WA 98204  
\* PHONE: 425.740.3702 \* FAX: 425.740.3701 \*  
www.northclad.com

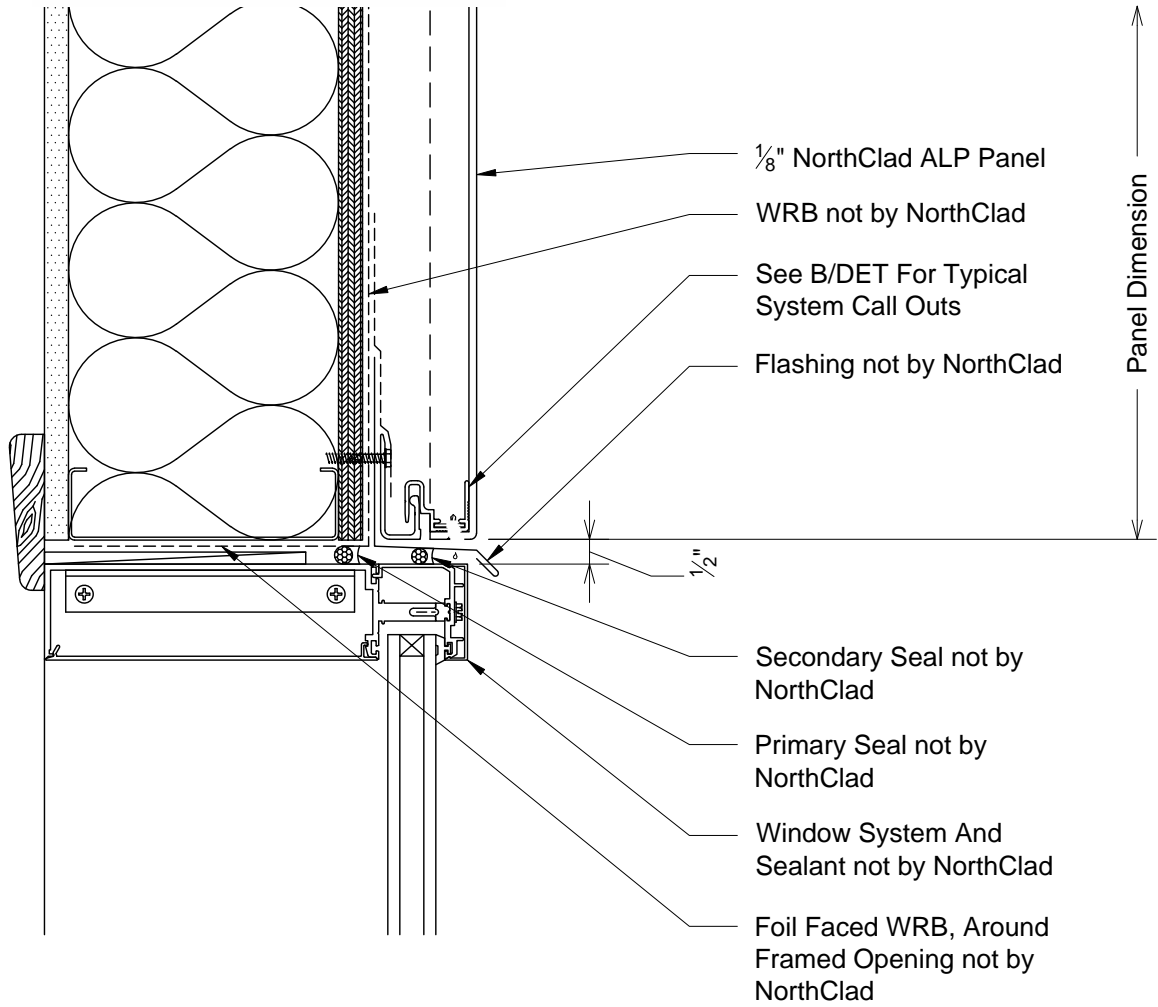
This document is property of NorthClad and should not be used, duplicated or modified without the express written consent. Copyright © 2010 NorthClad All Rights Reserved

NO.	DESCRIPTION	DATE	INIT.
1	Std Details	02.12.2014	M E
2			
3			
4			
5			
6			
7			
8			
9			
10			

Project

ALP Sealed Joint

Sheet Title	DET
Scale	3" = 1'-0"
Job Number	
Sheet	H
APPROVED	



J  
DET

Section - ALP Panel at Window/CW Head



11831 BEVERLY PARK RD. BUILDING C, EVERETT, WA 98204  
 \* PHONE: 425.740.3702 \* FAX: 425.740.3701 \*  
 www.northclad.com

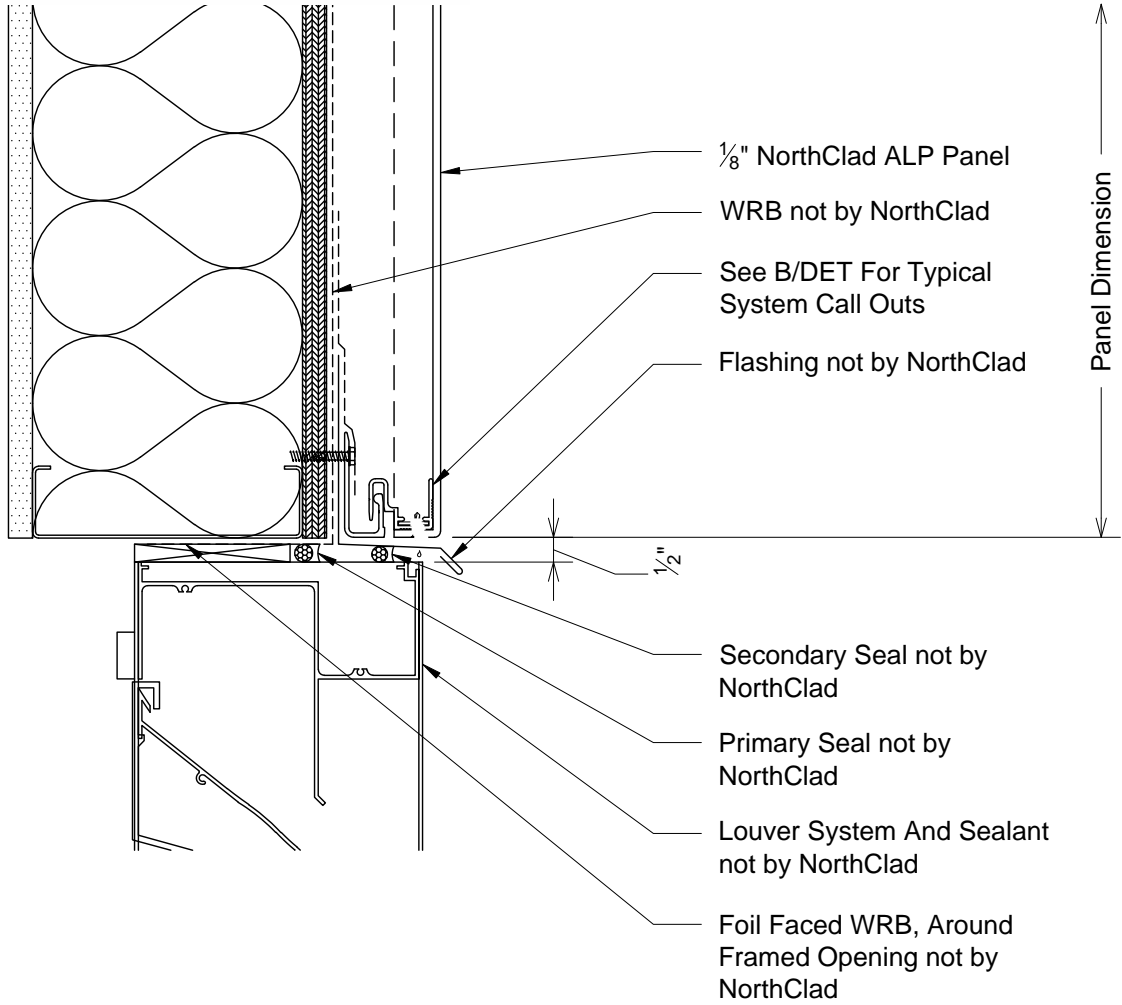
This document is property of NorthClad and should not be used, duplicated or modified without the express written consent. Copyright © 2010 NorthClad All Rights Reserved

NO.	DESCRIPTION	DATE	INIT.
1	Std Details	02.12.2014	M E
2			
3			
4			
5			
6			
7			
8			
9			
10			

Project

ALP Sealed Joint

Sheet Title	DET
Scale	3" = 1'-0"
Job Number	
Sheet	J
APPROVED	



**K**  
DET Section - ALP Panel at Louver Head



11831 BEVERLY PARK RD. BUILDING C, EVERETT, WA 98204  
 \* PHONE: 425.740.3702 \* FAX: 425.740.3701 \*  
 www.northclad.com

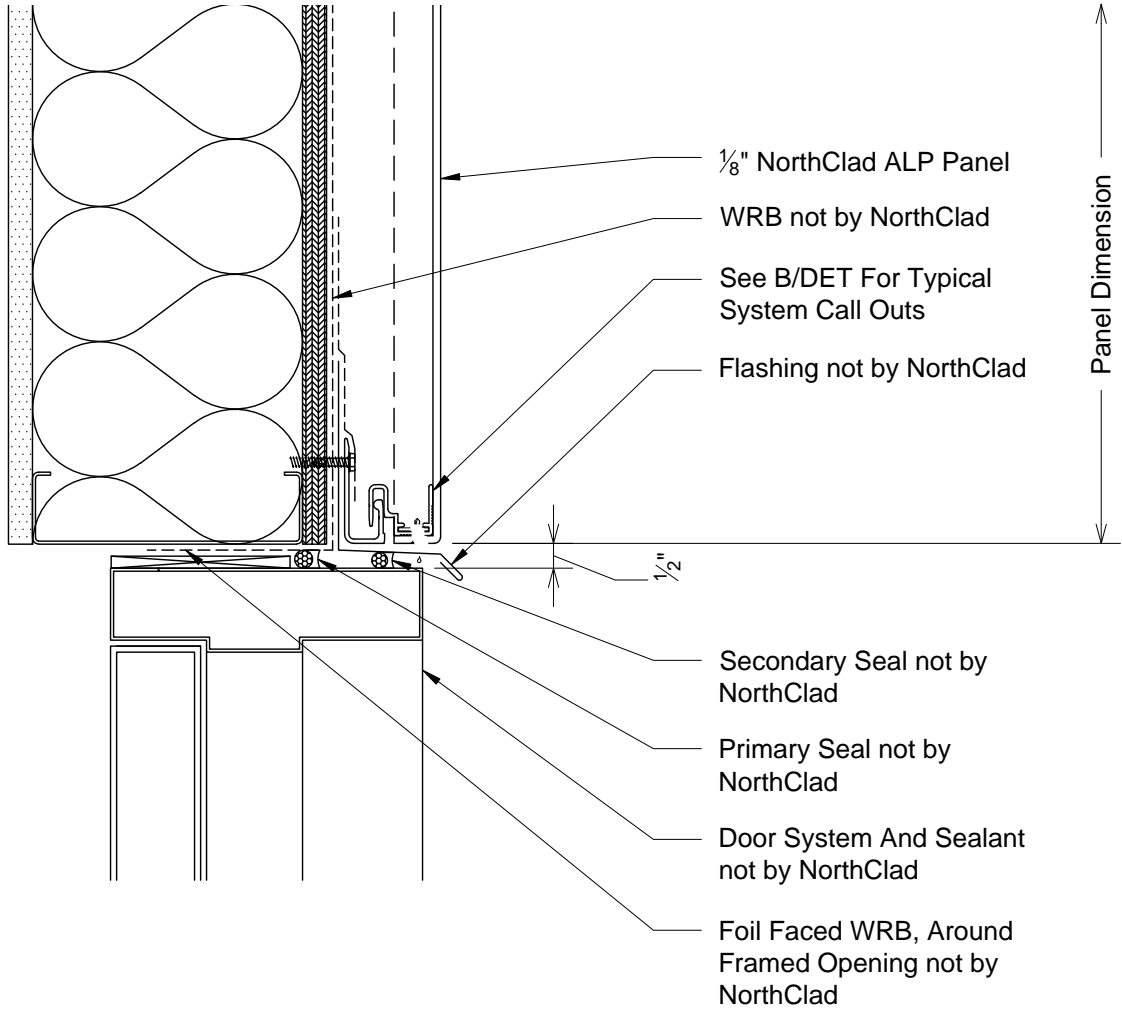
This document is property of NorthClad and should not be used, duplicated or modified without the express written consent. Copyright © 2010 NorthClad All Rights Reserved

NO.	DESCRIPTION	DATE	INIT.
1	Std Details	02.12.2014	M E
2			
3			
4			
5			
6			
7			
8			
9			
10			

Project

ALP Sealed Joint

Sheet Title	DET
Scale	3" = 1'-0"
Job Number	
Sheet	K
APPROVED	



M  
DET Section - ALP Panel at Hollow Metal Door Head



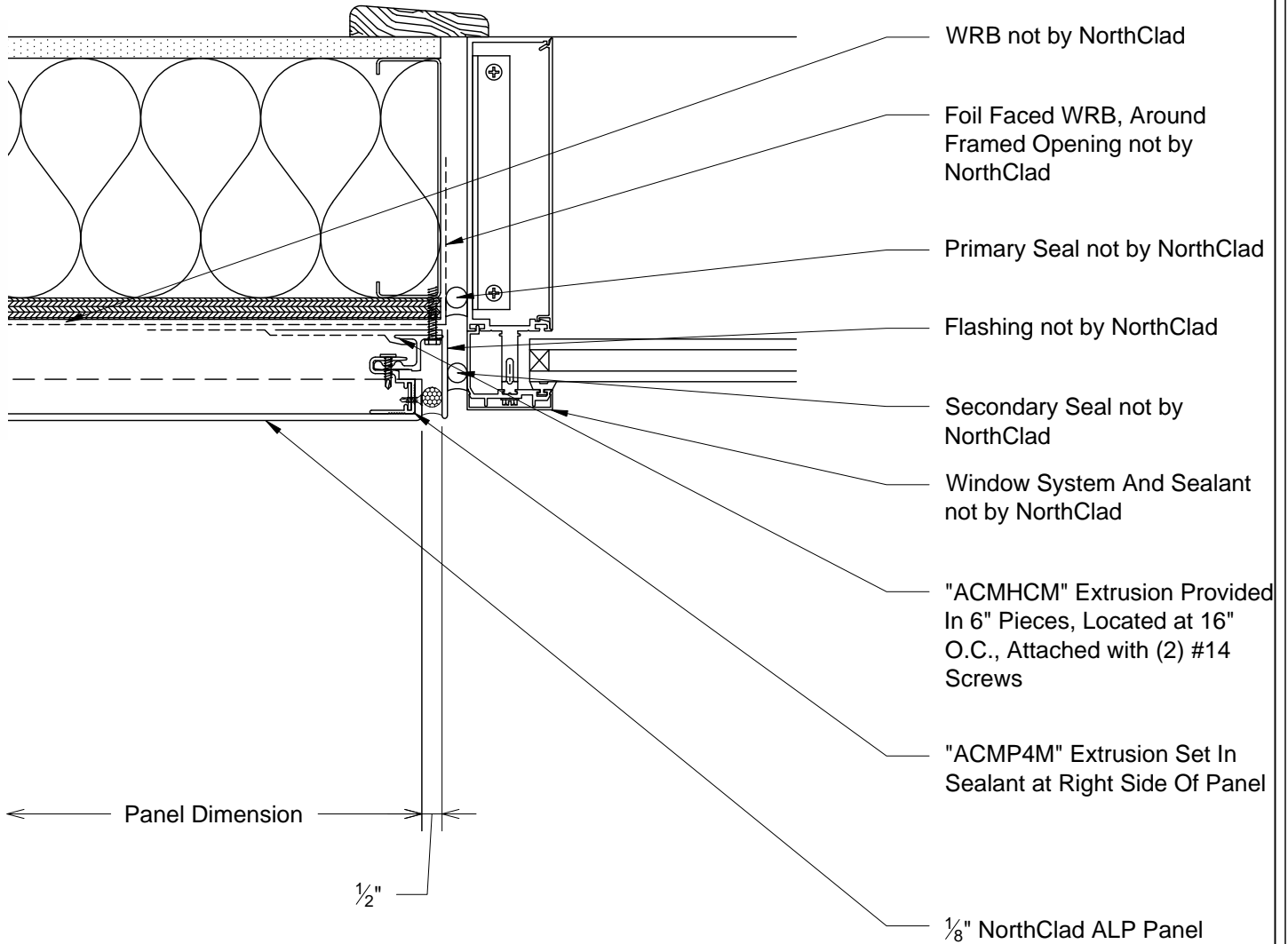
11831 BEVERLY PARK RD. BUILDING C, EVERETT, WA 98204  
 \* PHONE: 425.740.3702 \* FAX: 425.740.3701 \*  
 www.northclad.com

This document is property of NorthClad and should not be used, duplicated or modified without the express written consent. Copyright © 2010 NorthClad All Rights Reserved

NO.	DESCRIPTION	DATE	INIT.
1	Std Details	02.12.2014	M E
2			
3			
4			
5			
6			
7			
8			
9			
10			

Project  
 ALP Sealed Joint

Sheet Title	DET
Scale	3" = 1'-0"
Job Number	
Sheet	M
APPROVED	



N  
DET
 
 Plan - ALP Panel at Left Side Window/CW Jamb



11831 BEVERLY PARK RD. BUILDING C, EVERETT, WA 98204  
 \* PHONE: 425.740.3702 \* FAX: 425.740.3701 \*  
 www.northclad.com

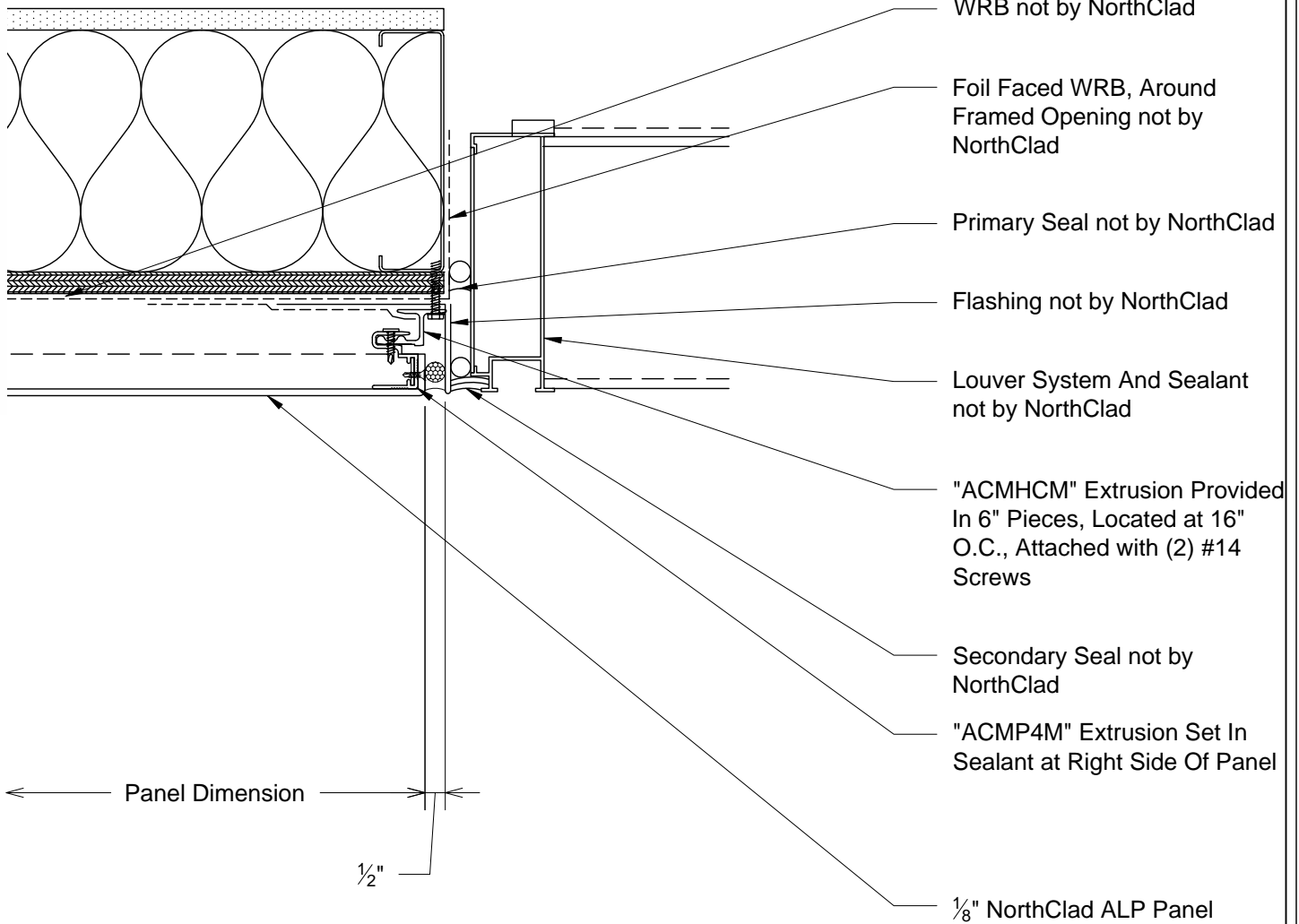
This document is property of NorthClad and should not be used, duplicated or modified without the express written consent. Copyright © 2010 NorthClad All Rights Reserved

NO.	DESCRIPTION	DATE	INIT.
1	Std Details	02.12.2014	M E
2			
3			
4			
5			
6			
7			
8			
9			
10			

Project

ALP Sealed Joint

Sheet Title	DET
Scale	3" = 1'-0"
Job Number	
Sheet	N
APPROVED	



P  
DET
 
 Plan - ALP Panel at Left Side Louver Jamb



11831 BEVERLY PARK RD. BUILDING C, EVERETT, WA 98204  
 \* PHONE: 425.740.3702 \* FAX: 425.740.3701 \*  
 www.northclad.com

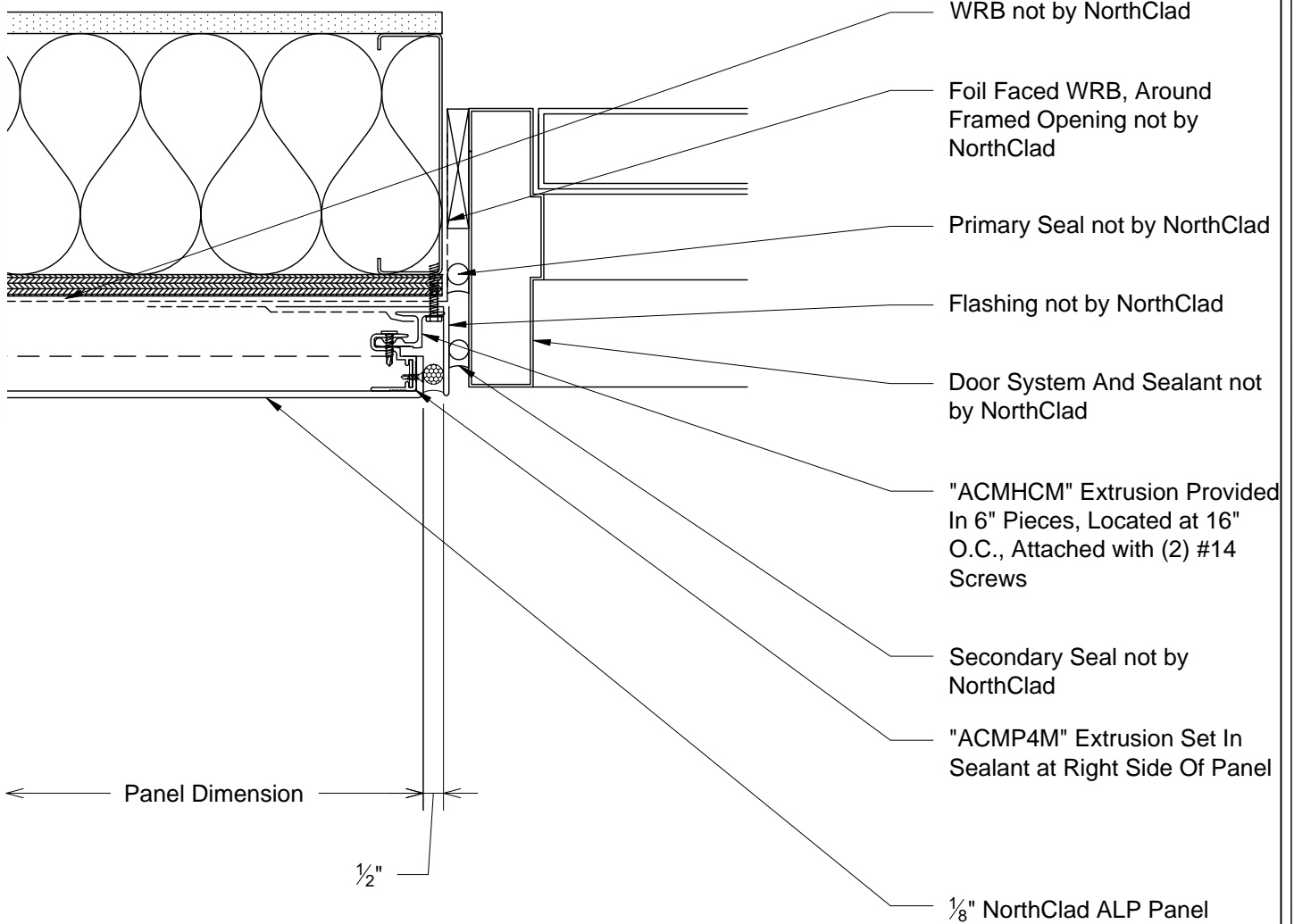
This document is property of NorthClad and should not be used, duplicated or modified without the express written consent. Copyright © 2010 NorthClad All Rights Reserved

NO.	DESCRIPTION	DATE	INIT.
1	Std Details	02.12.2014	M E
2			
3			
4			
5			
6			
7			
8			
9			
10			

Project

ALP Sealed Joint

Sheet Title	DET
Scale	3" = 1'-0"
Job Number	
Sheet	P
APPROVED	



Q Plan - ALP Panel at Left Side Hollow Metal Door Jamb  
DET



11831 BEVERLY PARK RD. BUILDING C, EVERETT, WA 98204  
\* PHONE: 425.740.3702 \* FAX: 425.740.3701 \*  
www.northclad.com

This document is property of NorthClad and should not be used, duplicated or modified without the express written consent. Copyright © 2010 NorthClad All Rights Reserved

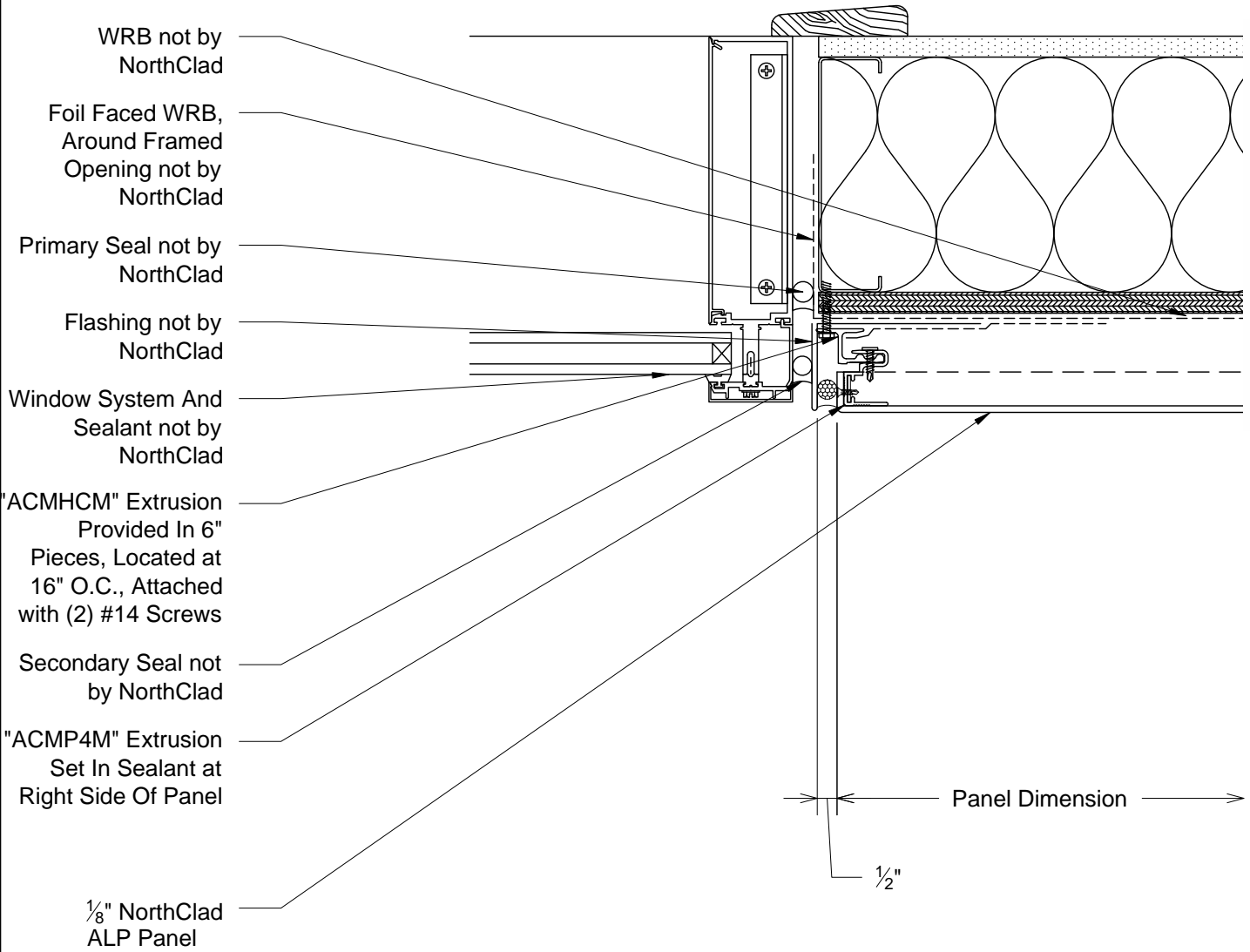
NO.	DESCRIPTION	DATE	INIT.
1	Std Details	02.12.2014	M E
2			
3			
4			
5			
6			
7			
8			
9			
10			

Project

ALP Sealed Joint

Sheet Title	DET
Scale	3" = 1'-0"
Job Number	
Sheet	Q
APPROVED	





R  
DET
 
Plan - ALP Panel at Right Side Window/CW Jamb



11831 BEVERLY PARK RD. BUILDING C, EVERETT, WA 98204  
 \* PHONE: 425.740.3702 \* FAX: 425.740.3701 \*  
 www.northclad.com

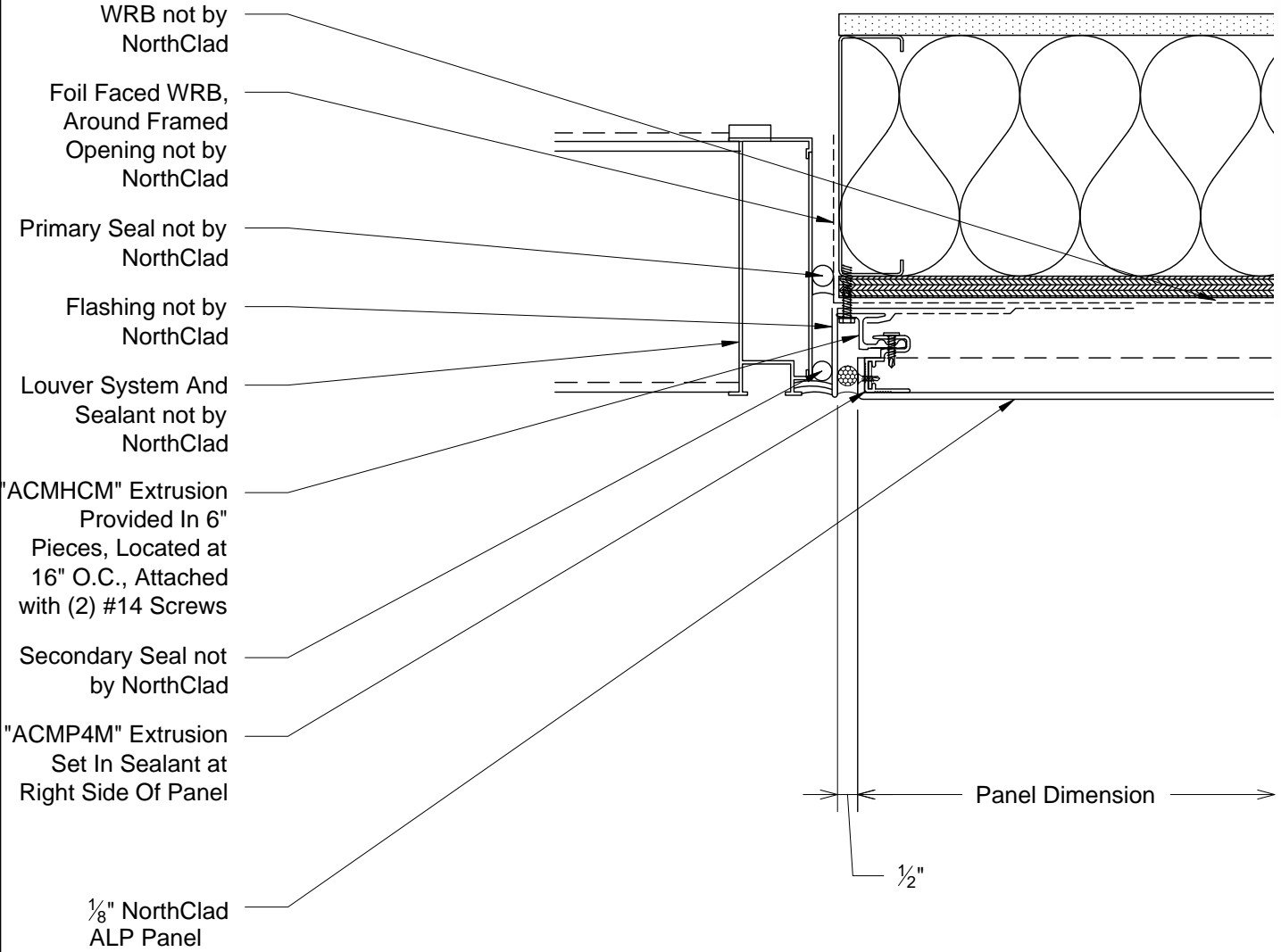
This document is property of NorthClad and should not be used, duplicated or modified without the express written consent. Copyright © 2010 NorthClad All Rights Reserved

NO.	DESCRIPTION	DATE	INIT.
1	Std Details	02.12.2014	M E
2			
3			
4			
5			
6			
7			
8			
9			
10			

Project

ALP Sealed Joint

Sheet Title	DET
Scale	3" = 1'-0"
Job Number	
Sheet	R
APPROVED	



S  
DET

Plan - ALP Panel at Right Side Louver Jamb



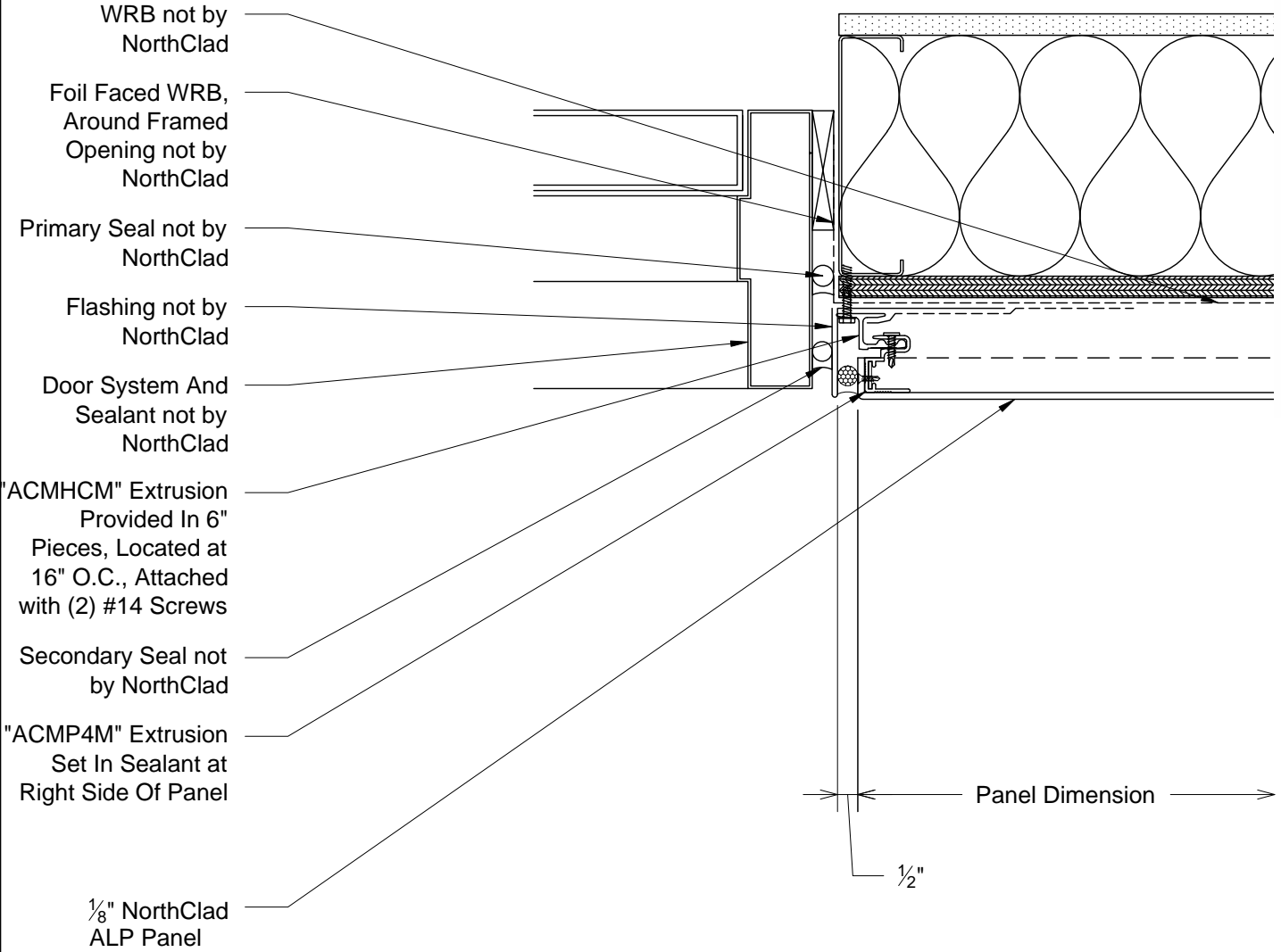
11831 BEVERLY PARK RD. BUILDING C, EVERETT, WA 98204  
 \* PHONE: 425.740.3702 \* FAX: 425.740.3701 \*  
 www.northclad.com

This document is property of NorthClad and should not be used, duplicated or modified without the express written consent. Copyright © 2010 NorthClad All Rights Reserved

NO.	DESCRIPTION	DATE	INIT.
1	Std Details	02.12.2014	M E
2			
3			
4			
5			
6			
7			
8			
9			
10			

Project
ALP Sealed Joint

Sheet Title	DET
Scale	3" = 1'-0"
Job Number	
Sheet	S
APPROVED	



T  
DET
 
Plan - ALP Panel at Right Side Hollow Metal Door Jamb



11831 BEVERLY PARK RD. BUILDING C, EVERETT, WA 98204  
 \* PHONE: 425.740.3702 \* FAX: 425.740.3701 \*  
 www.northclad.com

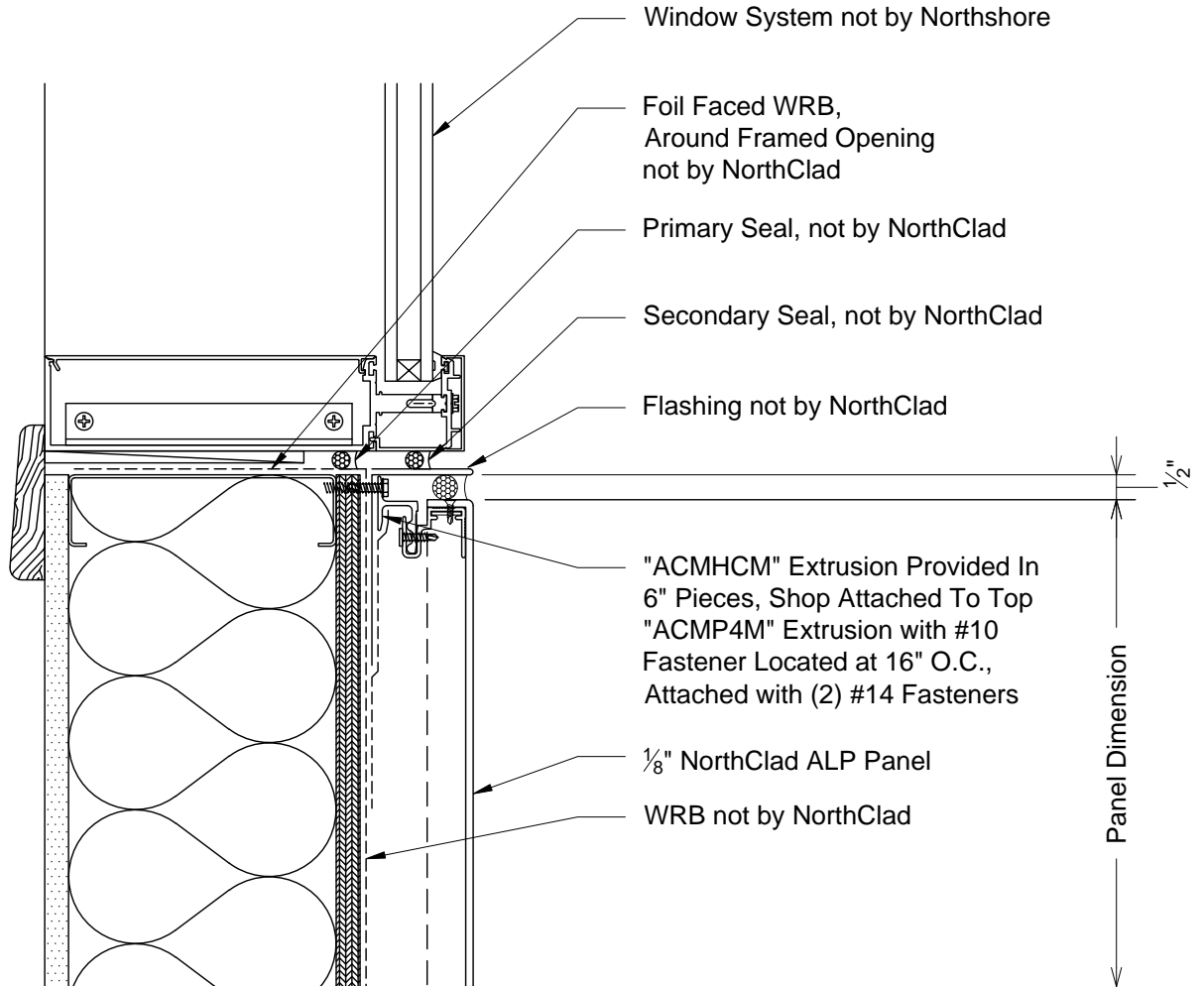
This document is property of NorthClad and should not be used, duplicated or modified without the express written consent. Copyright © 2010 NorthClad All Rights Reserved

NO.	DESCRIPTION	DATE	INIT.
1	Std Details	02.12.2014	M E
2			
3			
4			
5			
6			
7			
8			
9			
10			

Project

ALP Sealed Joint

Sheet Title	DET
Scale	3" = 1'-0"
Job Number	
Sheet	T
APPROVED	



U Section - ALP Panel at Window/CW Sill  
DET



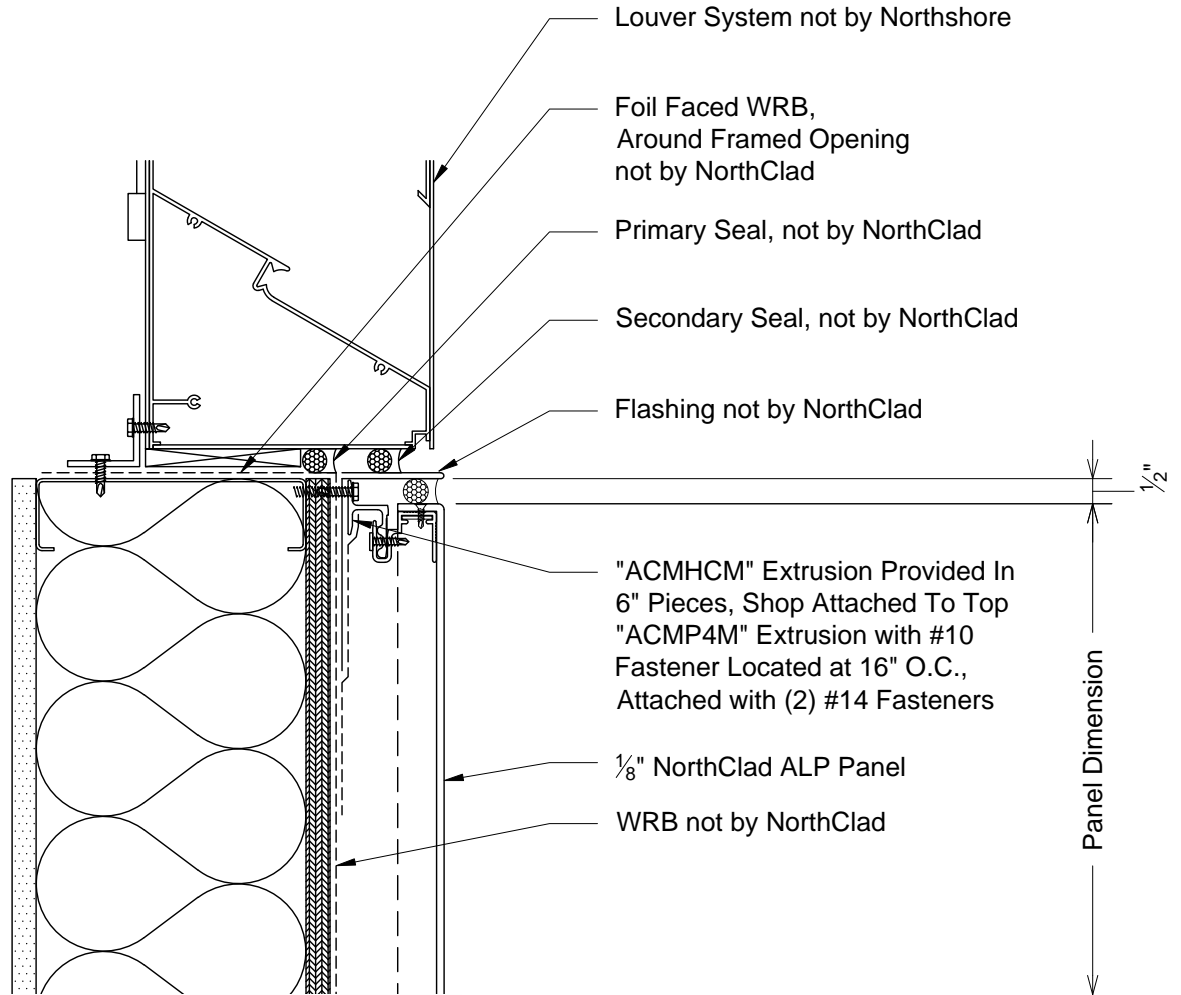
11831 BEVERLY PARK RD. BUILDING C, EVERETT, WA 98204  
\* PHONE: 425.740.3702 \* FAX: 425.740.3701 \*  
www.northclad.com

This document is property of NorthClad and should not be used, duplicated or modified without the express written consent. Copyright © 2010 NorthClad All Rights Reserved

NO.	DESCRIPTION	DATE	INIT.
1	Std Details	02.12.2014	M E
2			
3			
4			
5			
6			
7			
8			
9			
10			

Project  
**ALP Sealed Joint**

Sheet Title	<b>DET</b>
Scale	<b>3" = 1'-0"</b>
Job Number	
Sheet	<b>U</b>
APPROVED	



V  
DET  
Section - ALP Panel at Louver Sill



11831 BEVERLY PARK RD. BUILDING C, EVERETT, WA 98204  
\* PHONE: 425.740.3702 \* FAX: 425.740.3701 \*  
www.northclad.com

This document is property of NorthClad and should not be used, duplicated or modified without the express written consent. Copyright © 2010 NorthClad All Rights Reserved

NO.	DESCRIPTION	DATE	INIT.
1	Std Details	02.12.2014	M E
2			
3			
4			
5			
6			
7			
8			
9			
10			

Project

ALP Sealed Joint

Sheet Title  
DET

Scale  
3" = 1'-0"

Job Number

Sheet  
V

APPROVED