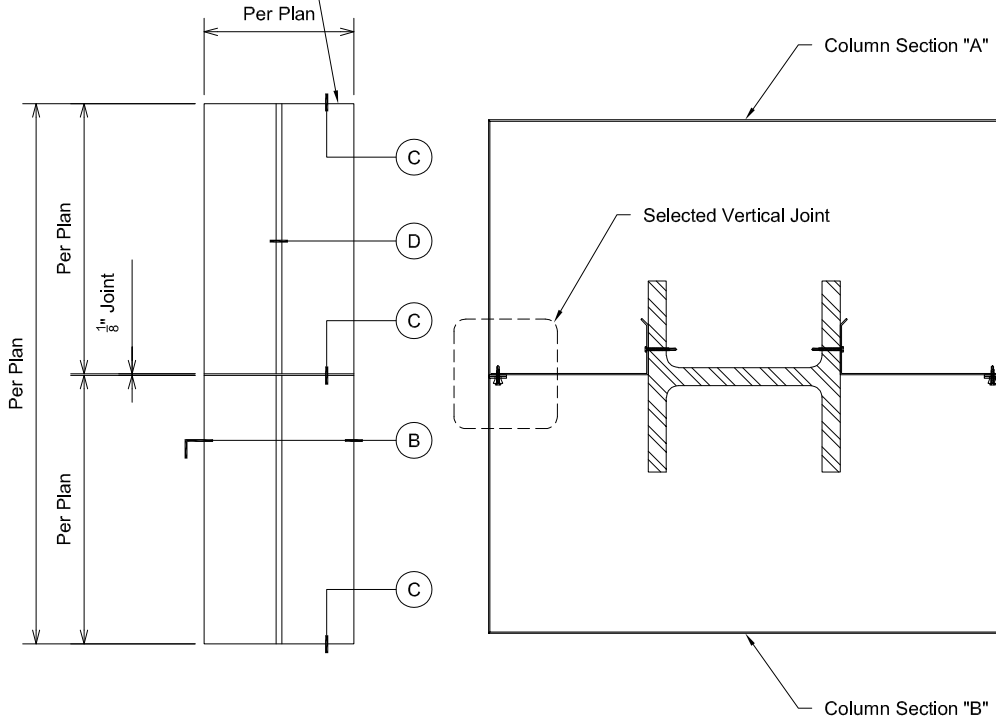


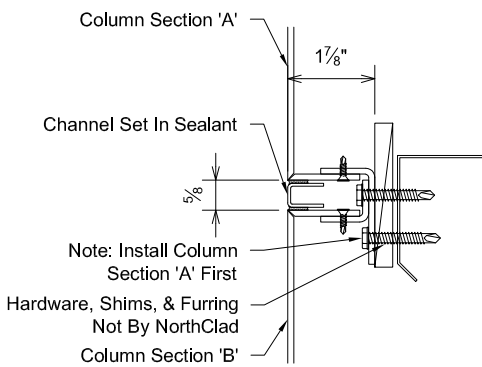
For Hook And Pin Column Joints, Section "B" Must Have At Least 1 1/2" Of Clearance Above.



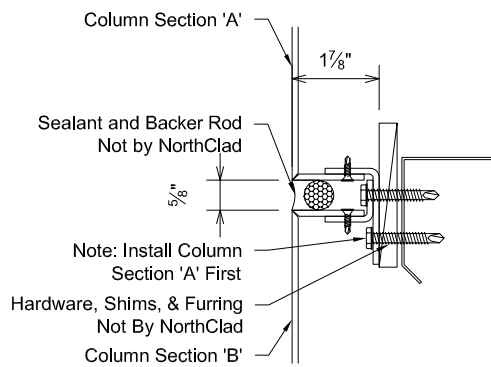
A Column Elevation

B Column Plan

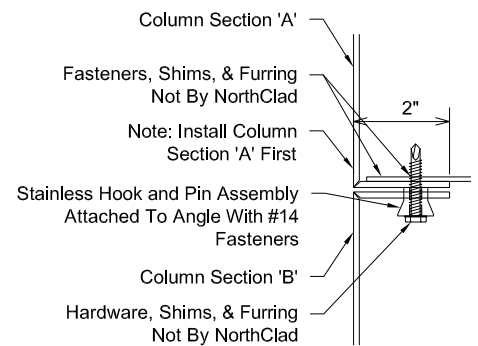
C Column Section



D1 Reveal Joint

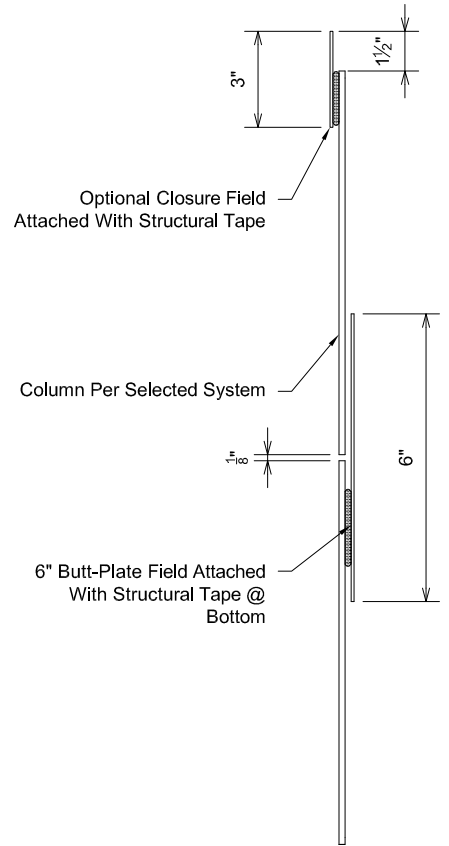
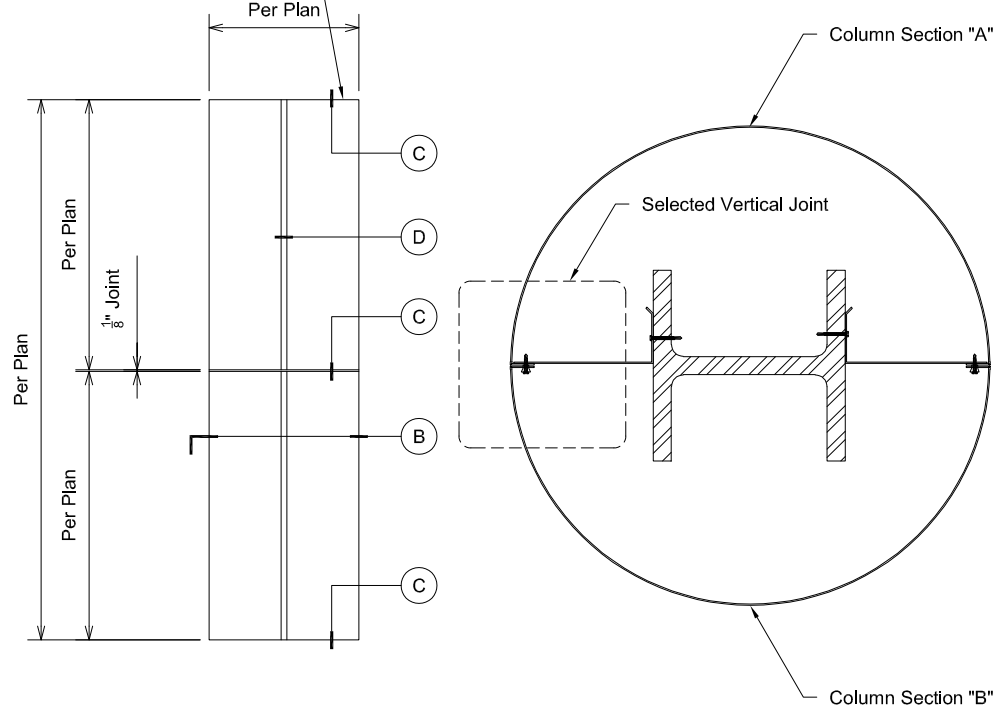


D2 Caulking Joint



D3 Hook and Pin Joint

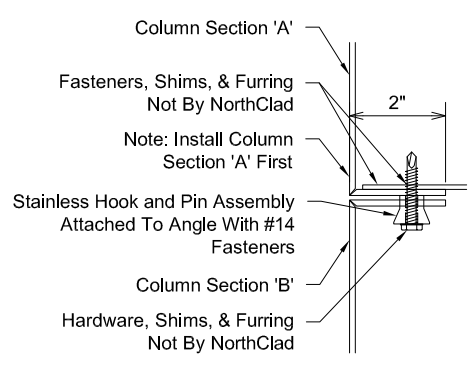
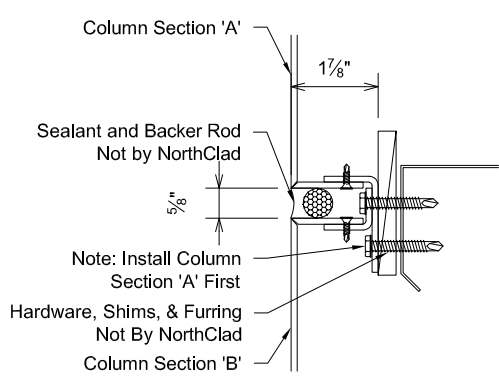
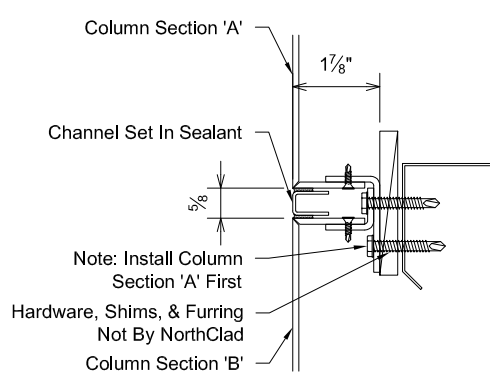
For Hook And Pin Column Joints, Section "B" Must Have At Least 1 1/2" Of Clearance Above.



A Column Elevation

B Column Plan

C Column Section

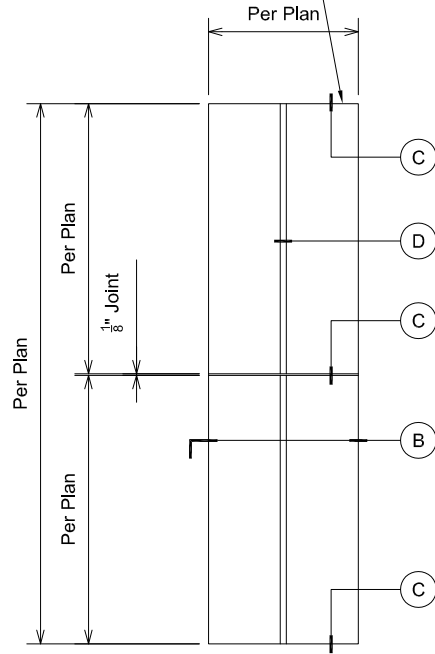


D1 Reveal Joint

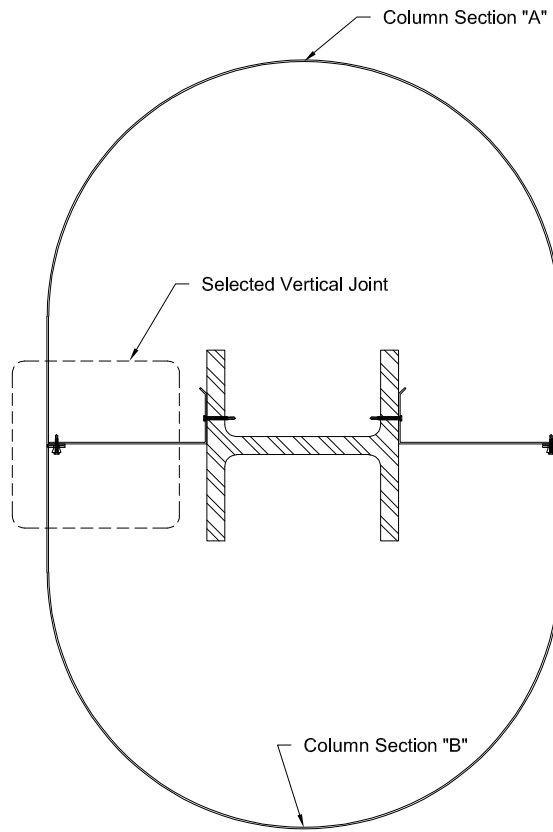
D2 Caulking Joint

D3 Hook and Pin Joint

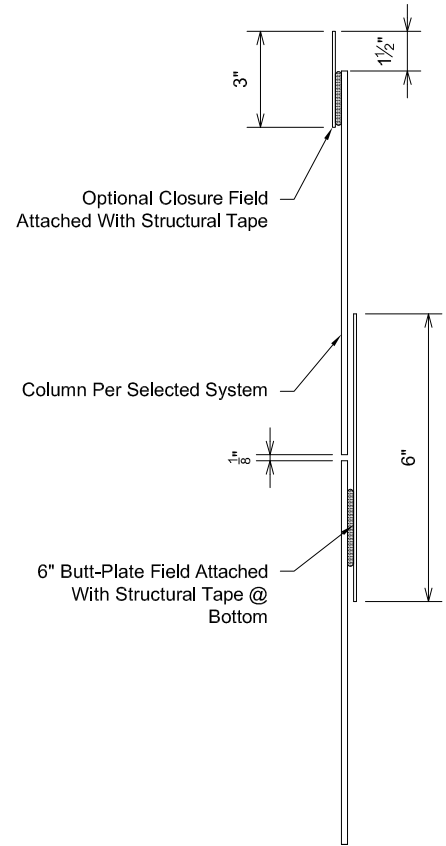
For Hook And Pin Column Joints,
Section "B" Must Have At Least
1/2" Of Clearance Above.



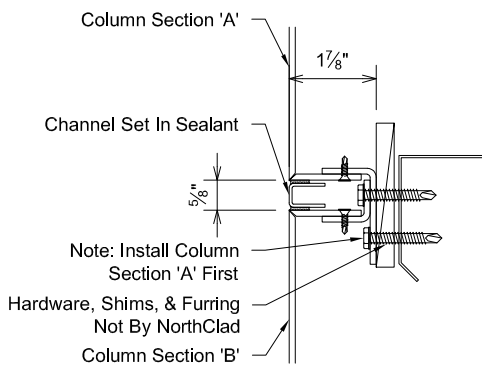
A Column Elevation



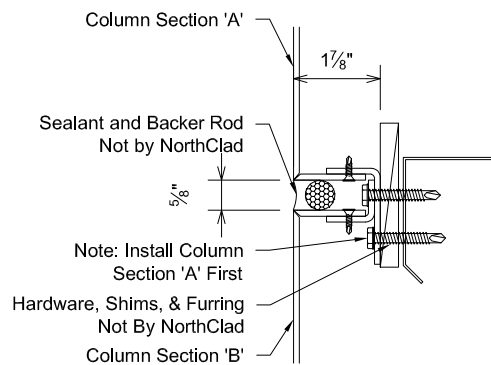
B Column Plan



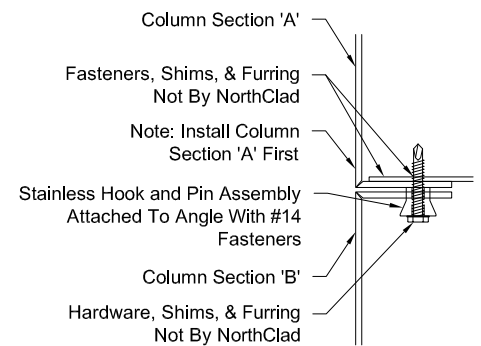
C Column Section



D1 Reveal Joint

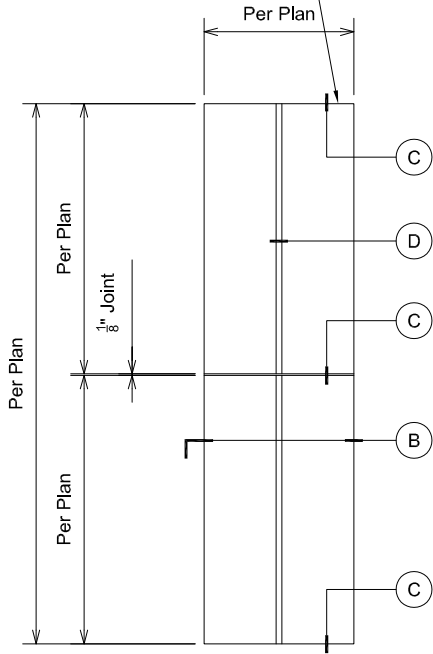


D2 Caulking Joint

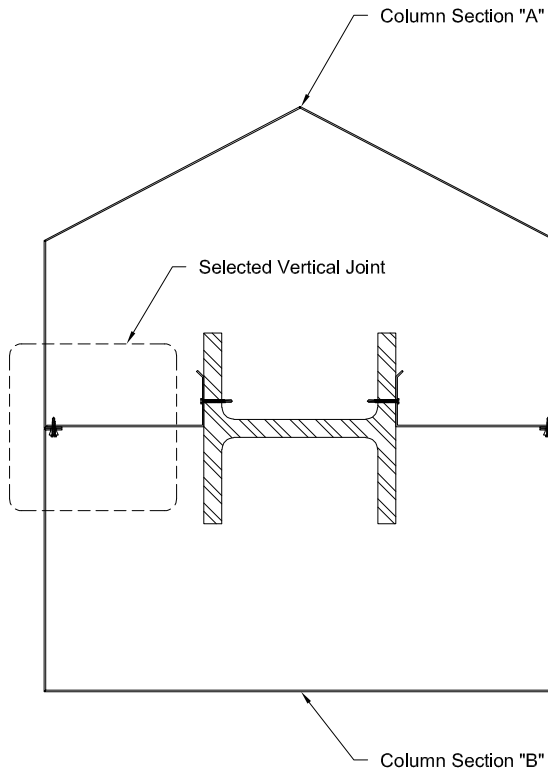


D3 Hook and Pin Joint

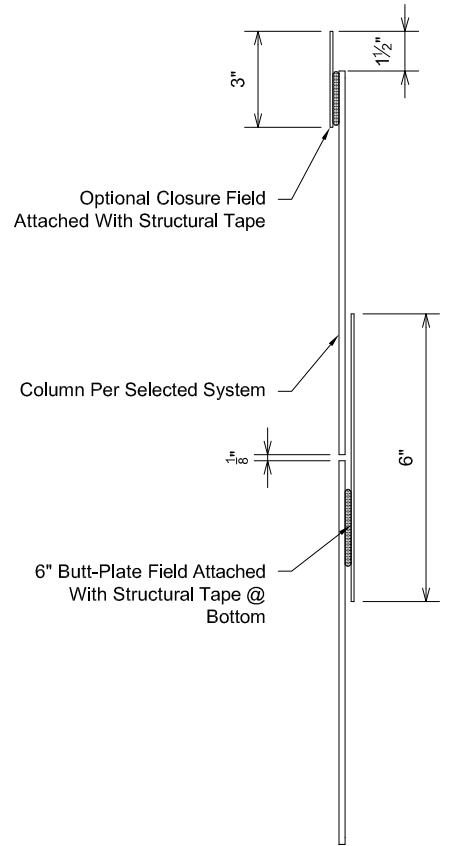
For Hook And Pin Column Joints, Section "B" Must Have At Least 1½" Of Clearance Above.



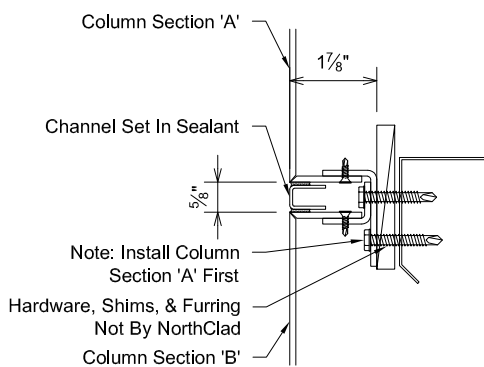
A Column Elevation



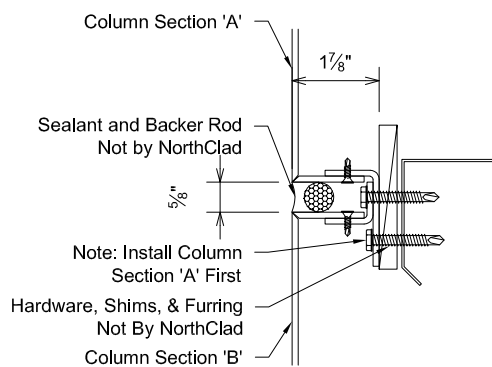
B Column Plan



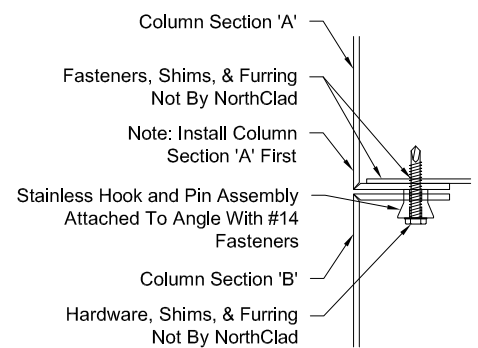
C Column Section



D1 Reveal Joint



D2 Caulking Joint



D3 Hook and Pin Joint