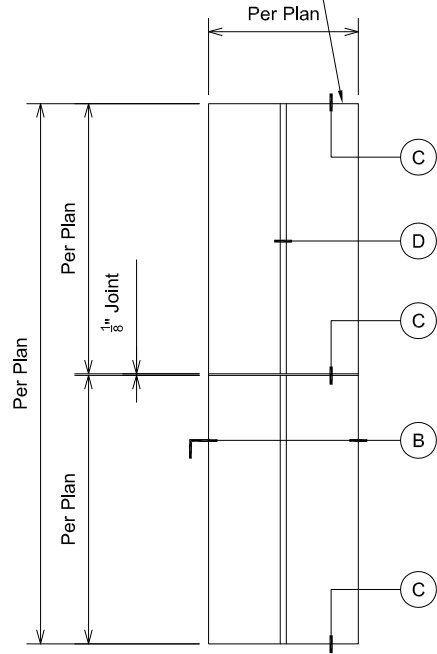
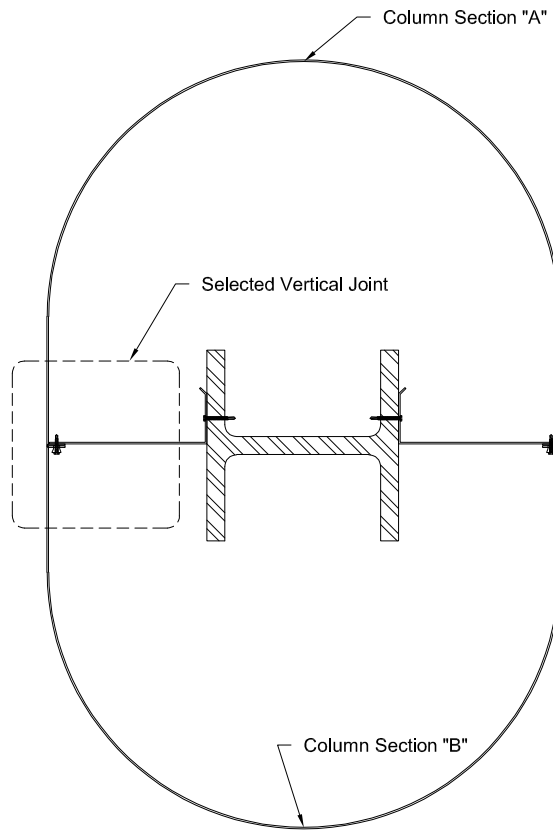


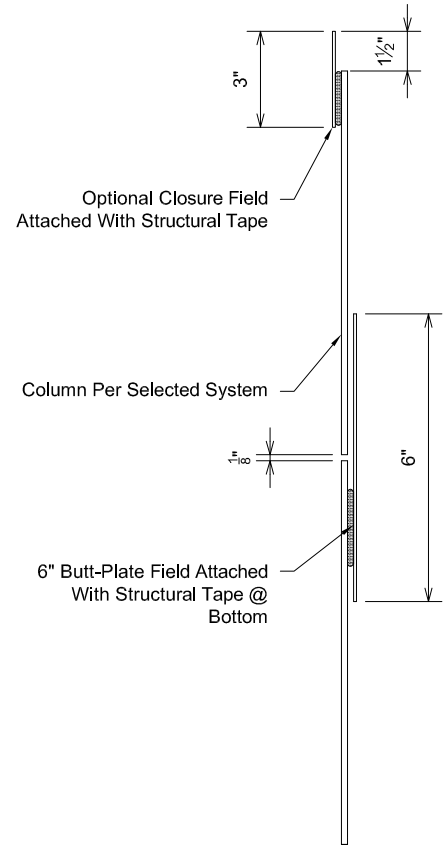
For Hook And Pin Column Joints,  
Section "B" Must Have At Least  
1/2" Of Clearance Above.



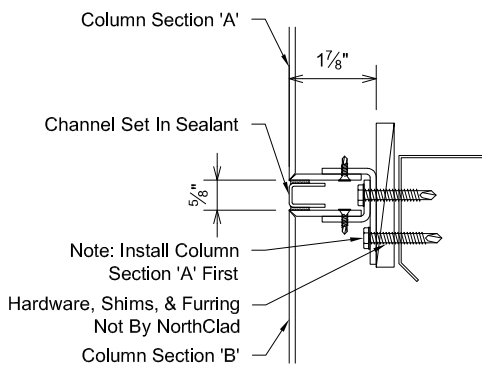
A Column Elevation



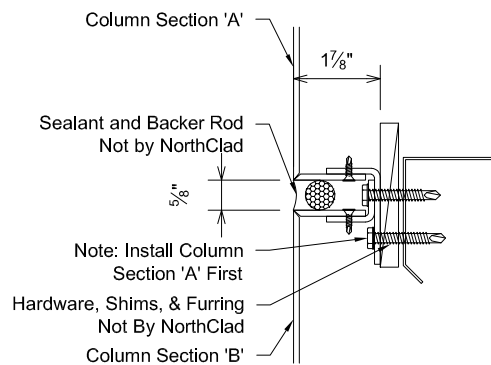
B Column Plan



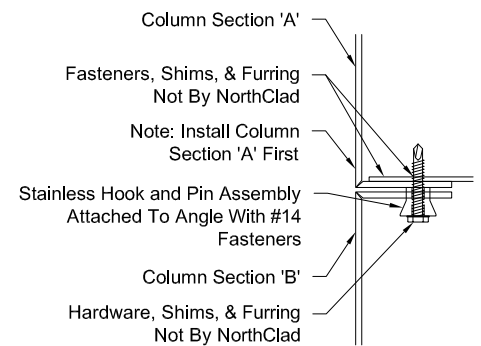
C Column Section



D1 Reveal Joint



D2 Caulking Joint



D3 Hook and Pin Joint