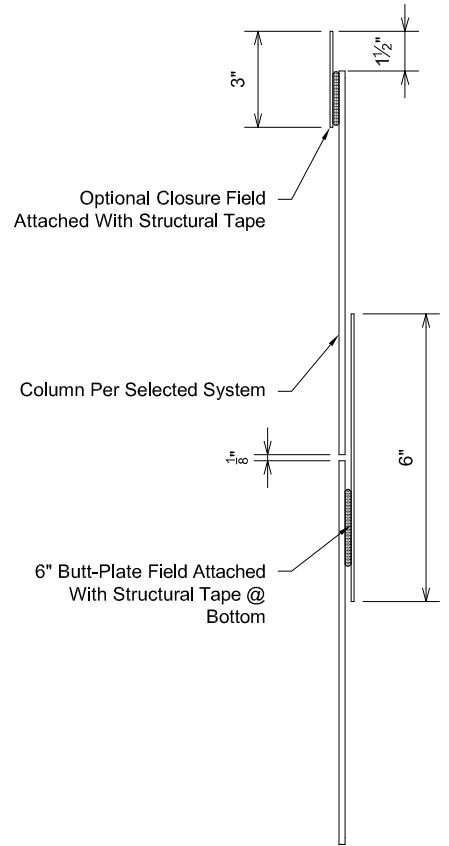
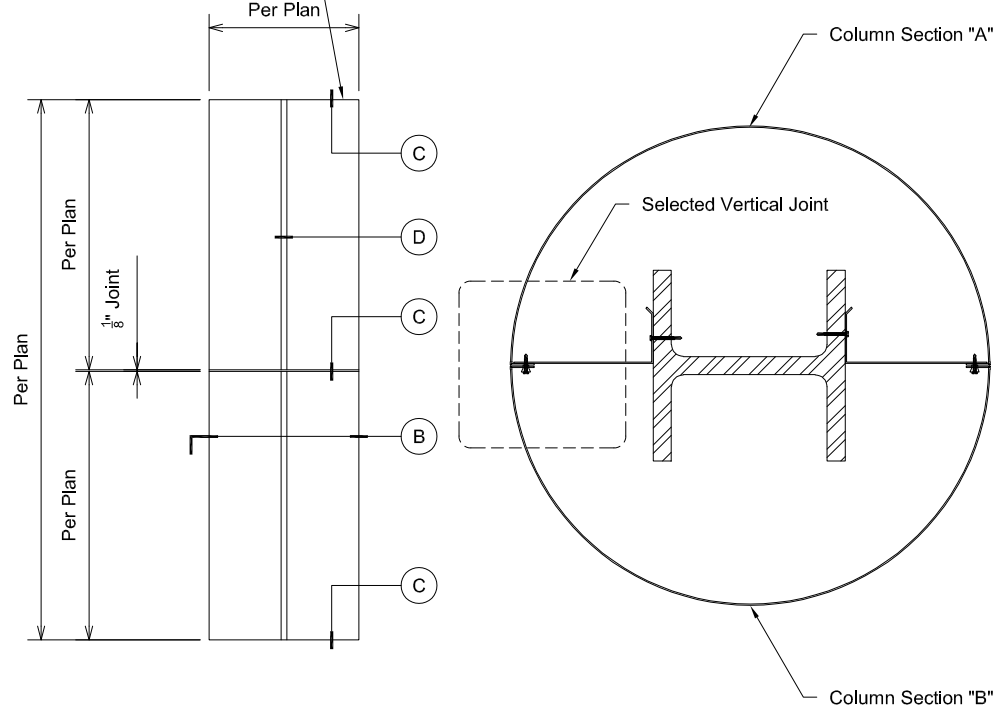


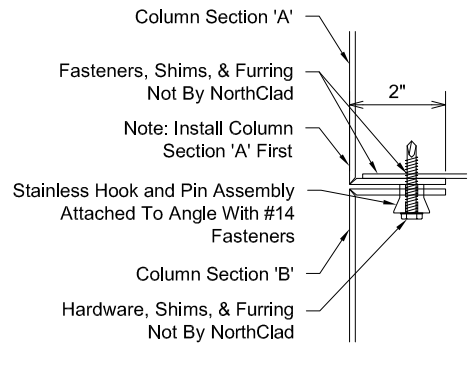
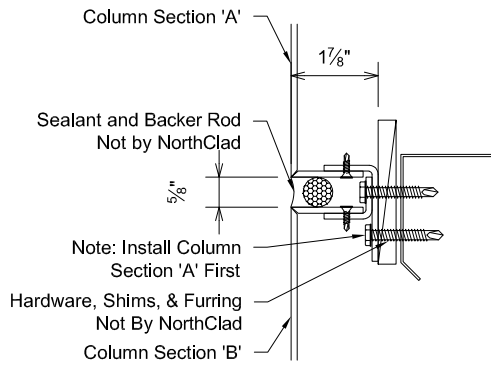
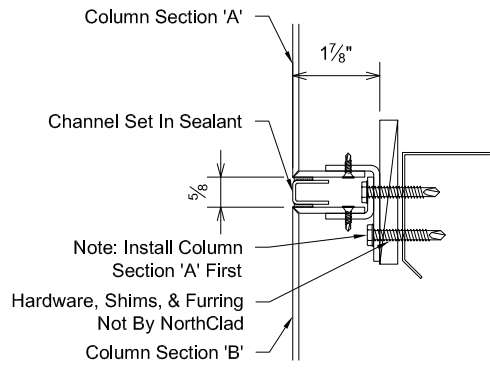
For Hook And Pin Column Joints, Section "B" Must Have At Least 1 1/2" Of Clearance Above.



A Column Elevation

B Column Plan

C Column Section



D1 Reveal Joint

D2 Caulking Joint

D3 Hook and Pin Joint